

**Job Name: 25-4381 - 815186 Evergy Raytown Substation**  
**Job Location: Kansas City, MO**  
**Contractor: Contech Engineering Solutions**

PC: T. Sekula  
 TECH: J. Coppage  
 Plant: Beaver Dam



Structure ID: **10-CS-4**  
 Spec: Storm-Pipe Centered  
 Type: STM.MH  
 Size: 48"

Rim: 951.61'  
 Invert: 946.61'  
 Rim to Invert: 5'

Sump: 54"  
 Floor (Top): 942.11'  
 Floor Height: 6"

Floor (Bot): 941.61'  
 Overall Height: 9.333'  
 Slack: 8"

Structure Notes:  
 (4" TALL CASTING PROVIDED BY OTHERS)

LIFTING ANCHORS TO BE INSTALLED ON THE OUTSIDE OF THE STRUCTURE

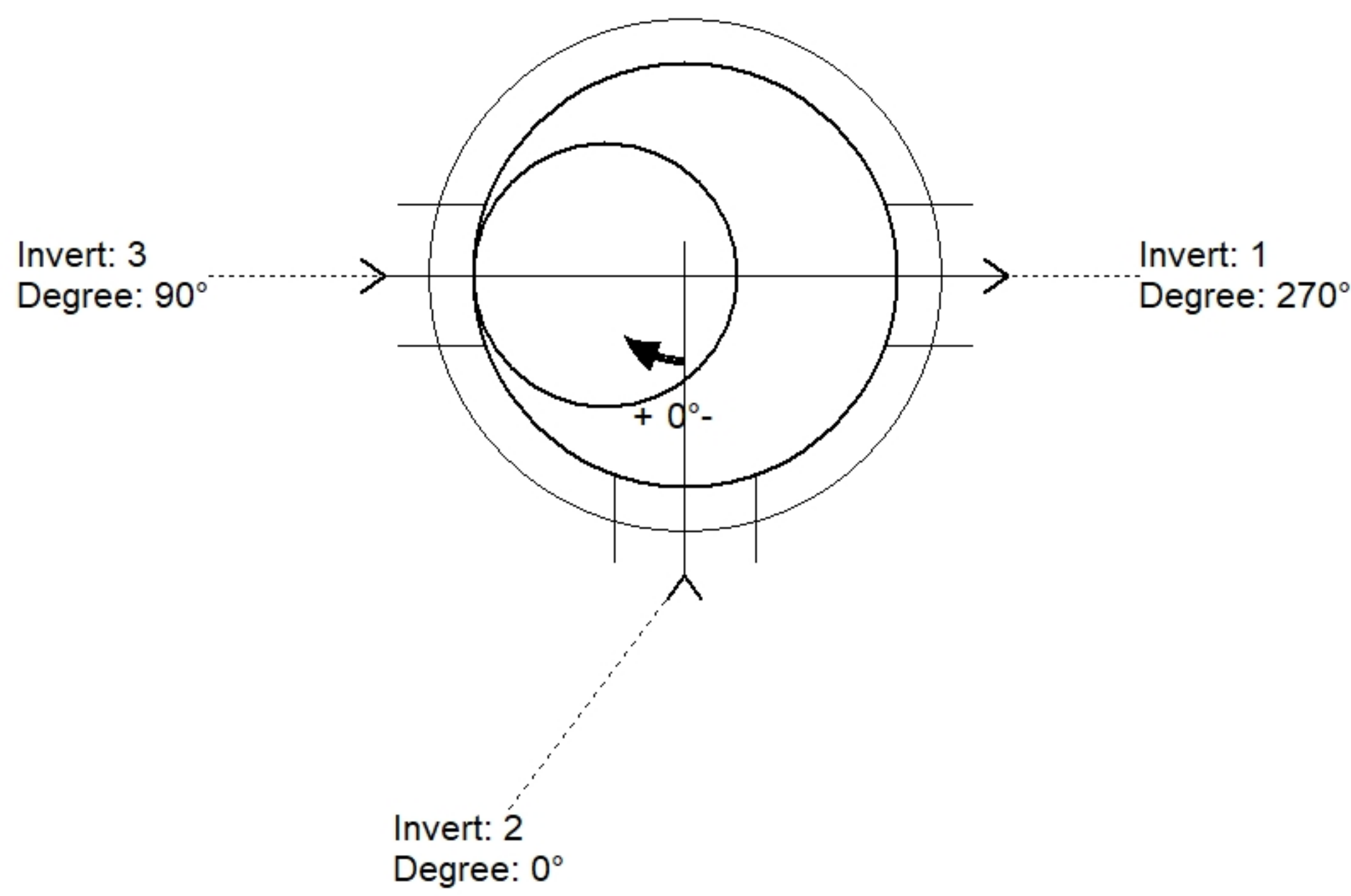
ICAST TO INSTALL THE INTERNALS

CONTECH'S LOGO AS WELL AS THE INLET AND OUTLET MUST BE STENCILED ONTO THE STRUCTURE

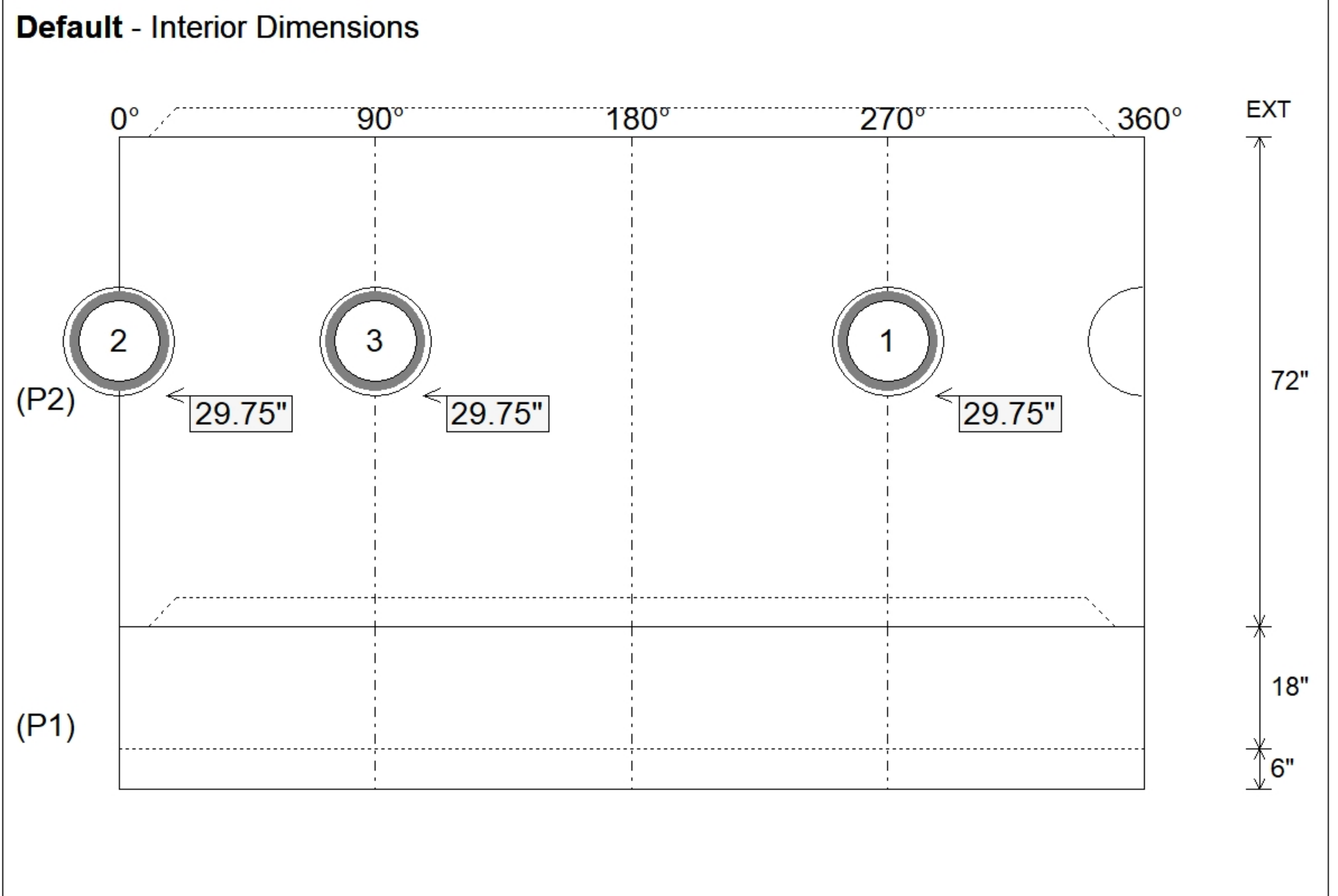
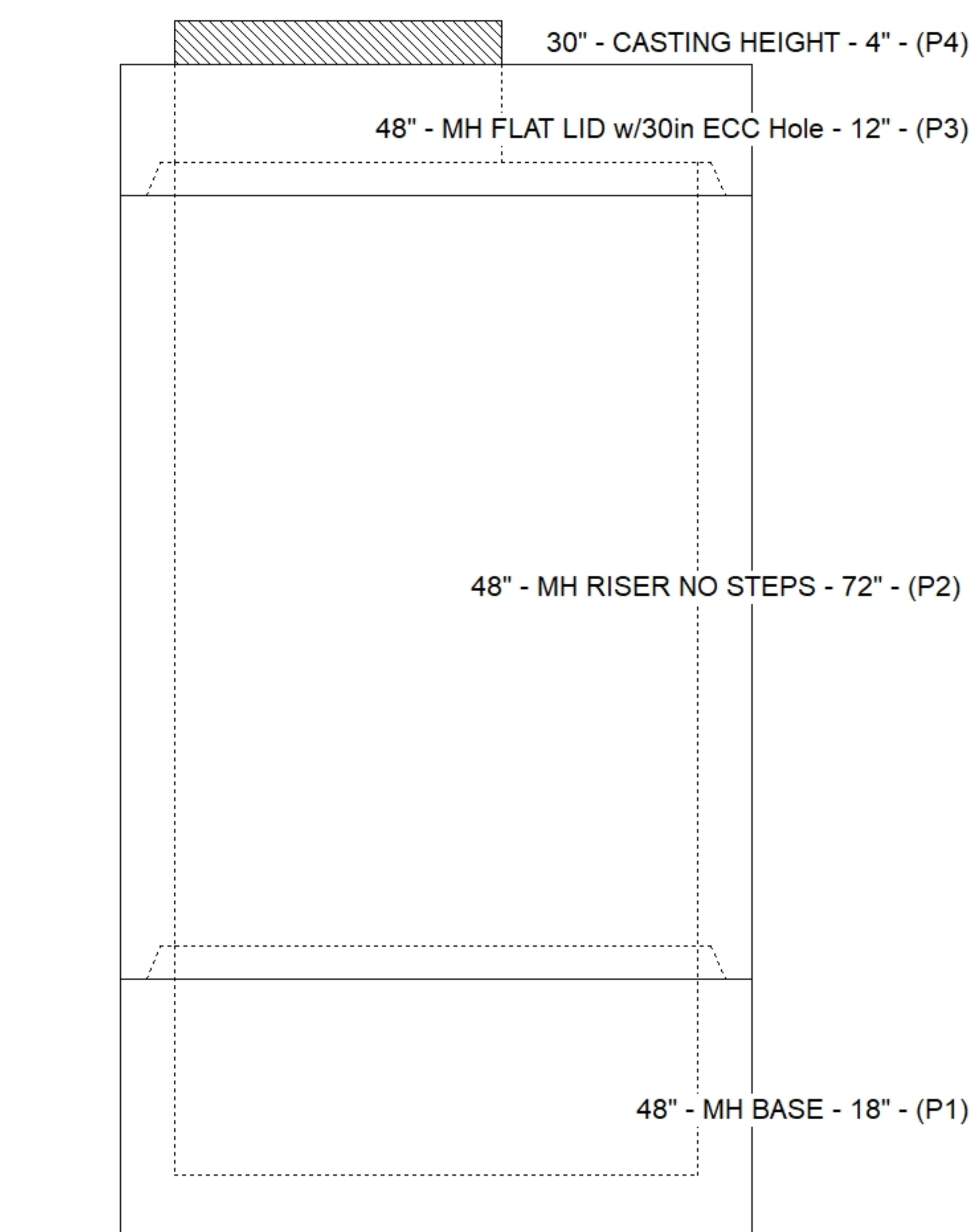
BASE TO BE MECHANICALLY ATTACHED TO THE BOTTOM OF THE CONTROL RISER

STRUCTURE SUMMARY:

P4) 30" - CASTING HEIGHT - 4"	0 lb
P3) 48" - MH FLAT LID w/30in ECC Hole - 12"	1413 lb
P2) 48" - MH RISER NO STEPS - 72"	4773 lb
P1) 48" - MH BASE - 18"	2588 lb
1) PSASSEMBLY	0 lb
1) CVSTENCILING	0 lb
2) 48" - Conseal CS-102 1.00"	0 lb
3) Hole - 16	0 lb
	-----
Structure Total:	8774 lb



Position	Elev	Angle	Pipe	Pipe OD	Hole	Connector	Up (")	Ref
Rim	951.61'							
Reducer								
Invert 1	946.61'	270°	12" HDPE	14.5"	16"	Hole 16	29.75"	P2
Invert 2	946.61'	0°	12" HDPE	14.5"	16"	Hole 16	29.75"	P2
Invert 3	946.61'	90°	12" HDPE	14.5"	16"	Hole 16	29.75"	P2
Invert 4								
Invert 5								
Invert 6								
Invert 7								
Invert 8								



Submittal Drawing  
 11/5/2025 11:23:59 AM

SUBMITTAL  
 APPROVED BY: