

**Job Name: 25-4373 - 855355 Camp Ground Road Phase 1**  
**Job Location: Louisville, KY**  
**Contractor: Contech Engineering Solutions**

PC: T. Sekula  
 TECH: J. Coppage  
 Plant: Beaver Dam



Structure ID: **15-CS-6**  
 Spec: Storm-Pipe Centered  
 Type: STM.MH  
 Size: 72"

Rim: 440.55'  
 Invert: 434.05'  
 Rim to Invert: 6.5'

Sump: 60"  
 Floor (Top): 429.05'  
 Floor Height: 8"

Floor (Bot): 428.383'  
 Overall Height: 11.5'  
 Slack: 8"

Structure Notes:  
 (4" TALL CASTING PROVIDED BY OTHERS)

LIFTING ANCHORS TO BE INSTALLED ON THE OUTSIDE OF THE STRUCTURE

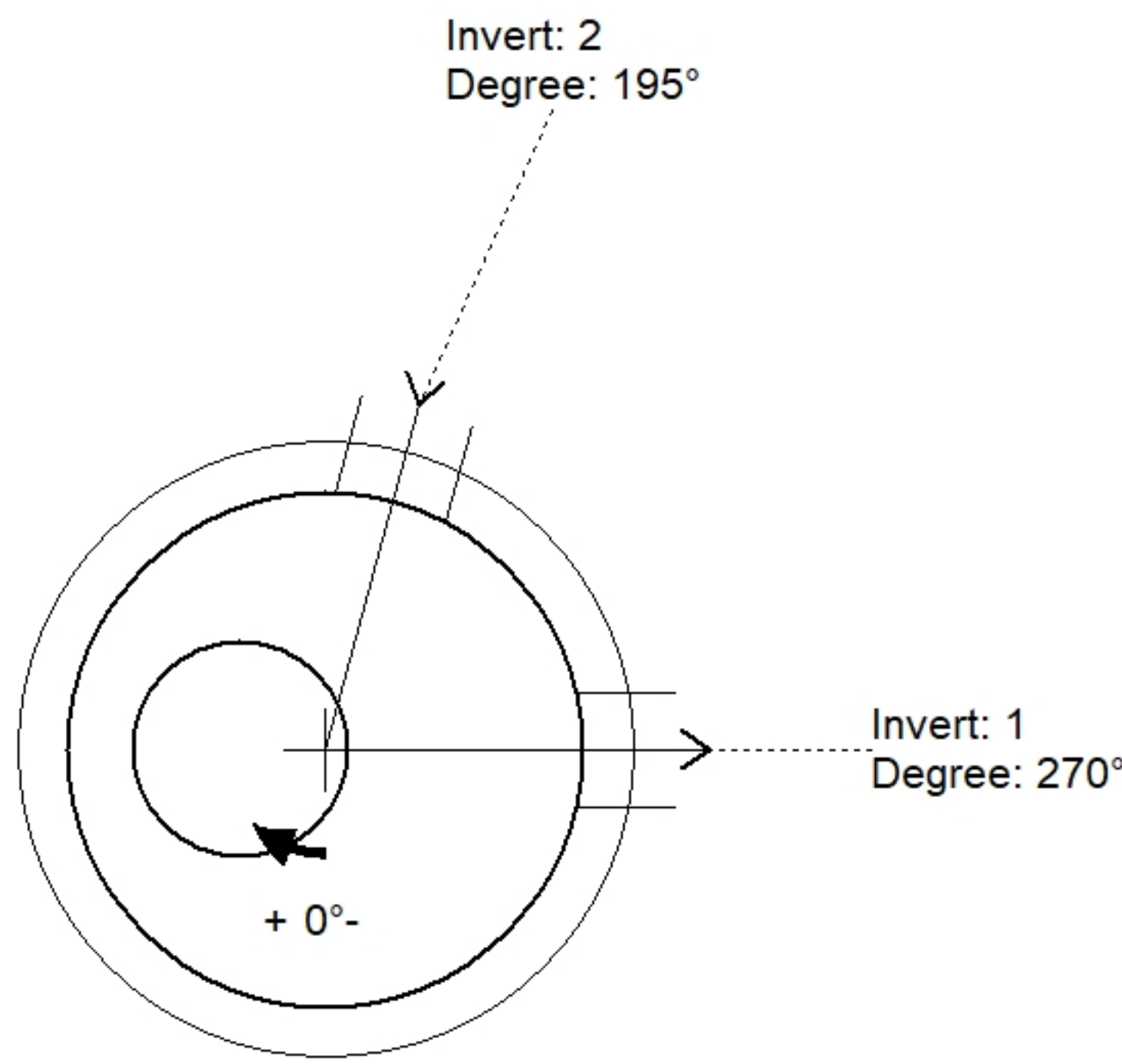
BASE TO BE MECHANICALLY ATTACHED TO THE CONTROL RISER

ICAST TO INSTALL THE INTERNALS

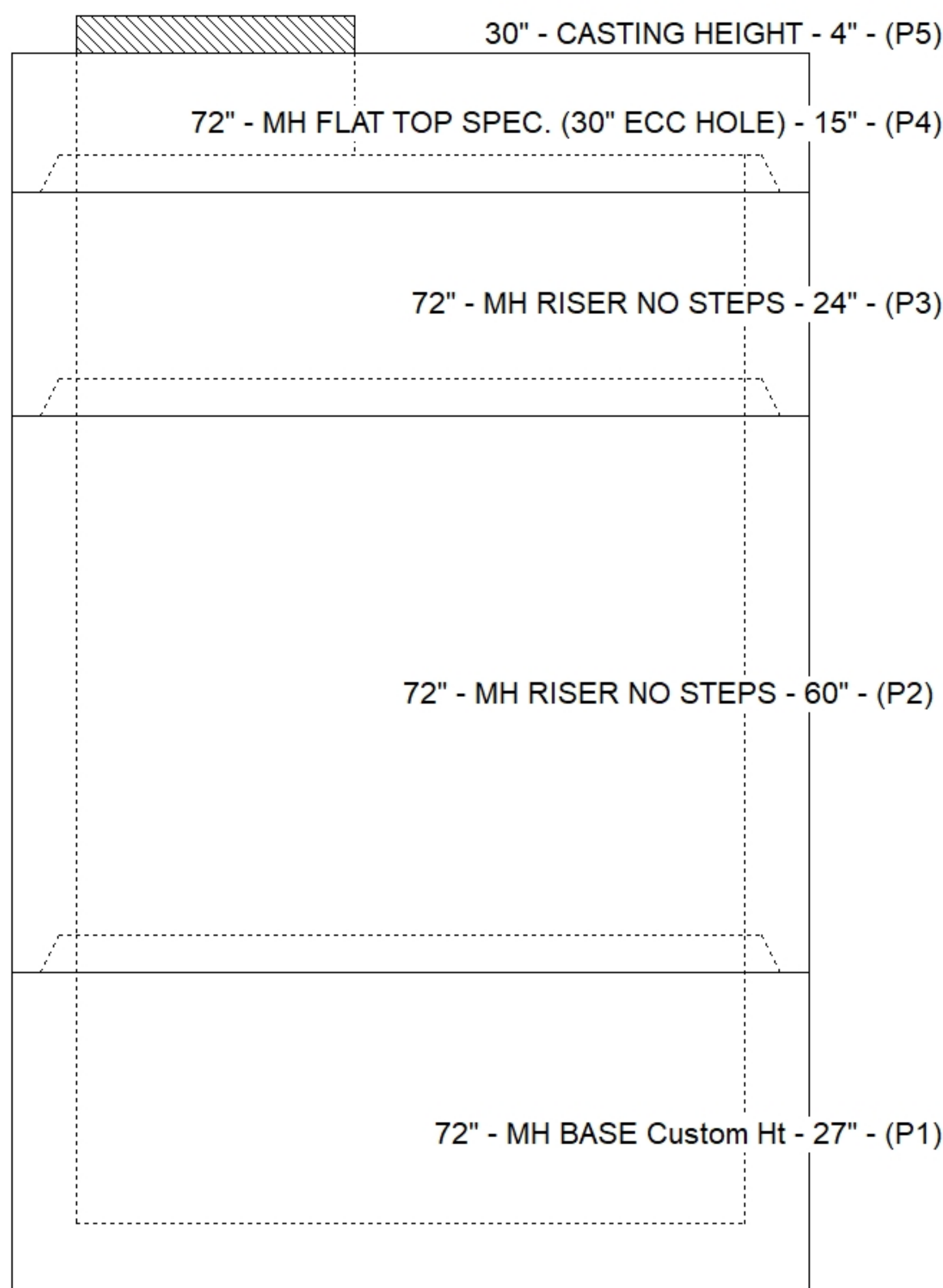
CONTECH'S LOGO AS WELL AS THE INLET AND OUTLET MUST BE STENCILED ONTO THE STRUCTURE

STRUCTURE SUMMARY:

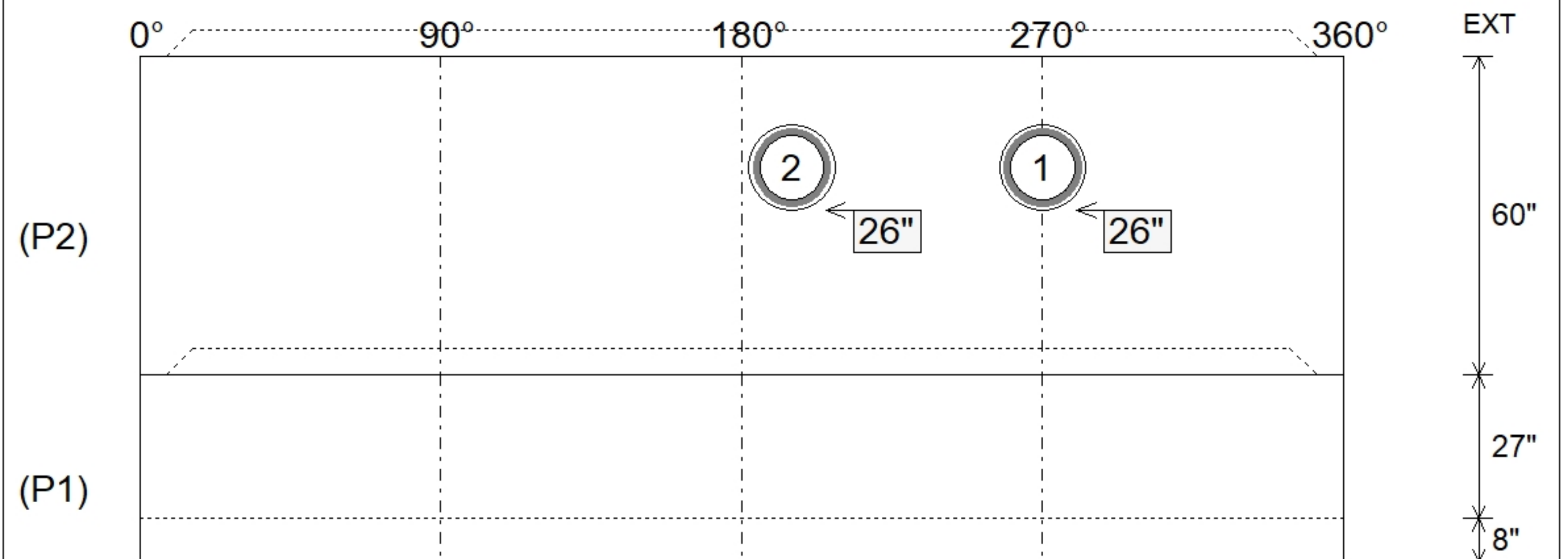
P5) 30" - CASTING HEIGHT - 4"	0 lb
P4) 72" - MH FLAT TOP SPEC. (30" ECC HOLE) - 15"	4661 lb
P3) 72" - MH RISER NO STEPS - 24"	3499 lb
P2) 72" - MH RISER NO STEPS - 60"	8509 lb
P1) 72" - MH BASE Custom Ht - 27"	7835 lb
1) ASSEMBLY REQUIRED	0 lb
1) CVSTENCILING	0 lb
3) 72" - Conseal CS-102 1.00"	0 lb
2) Hole - 16	0 lb
<b>Structure Total:</b>	<b>24504 lb</b>



Position	Elev	Angle	Pipe	Pipe OD	Hole	Connector	Up (L)	Ref
Rim	440.55'							
Reducer								
Invert 1	434.05'	270°	12" HDPE	14.5"	16"	Hole 16	26"	P2
Invert 2	434.05'	195°	12" HDPE	14.5"	16"	Hole 16	26"	P2
Invert 3								
Invert 4								
Invert 5								
Invert 6								
Invert 7								
Invert 8								



Default - Interior Dimensions



Submittal Drawing  
 11/12/2025 8:43:22 AM

SUBMITTAL  
 APPROVED BY: