

Job Name: 25-4373 - 855355 Camp Ground Road Phase 1  
 Job Location: Louisville, KY  
 Contractor: Contech Engineering Solutions

Plant: Beaver Dam

11/10/2025 1:26:17 PM

Tech: J. Coppage

PC: T. Sekula



**Structure ID: 15-CS-6**

**P2 MH072RS60S**

**MH RISER NO STEPS**

- P5) 30" - CASTING HEIGHT - 4"
- P4) 72" - MH FLAT TOP SPEC. (30" ECC HOLE) - 15"
- P3) 72" - MH RISER NO STEPS - 24"
- P2) 72" - MH RISER NO STEPS - 60"
- P1) 72" - MH BASE Custom Ht - 27"
- 1) ASSEMBLY REQUIRED
- 1) CVSTENCILING
- 3) 72" - Conseal CS-102 1.00"
- 2) Hole - 16

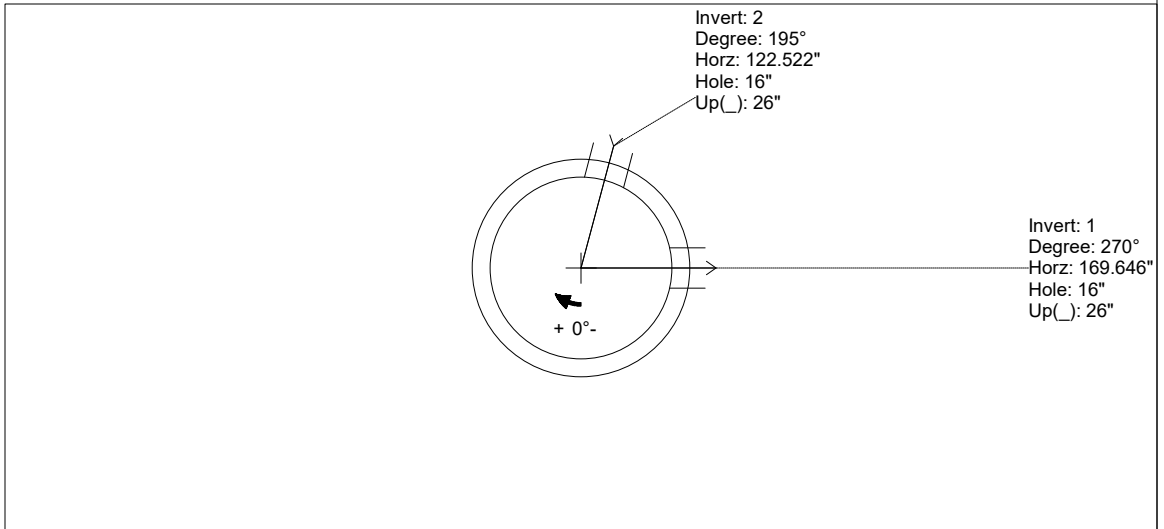
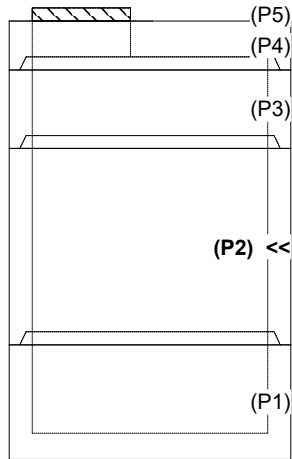
Structure Notes:  
 (4" TALL CASTING PROVIDED BY OTHERS)  
 LIFTING ANCHORS TO BE INSTALLED ON THE OUTSIDE OF THE STRUCTURE  
 BASE TO BE MECHANICALLY ATTACHED TO THE CONTROL RISER  
 ICAST TO INSTALL THE INTERNALS  
 CONTECH'S LOGO AS WELL AS THE INLET AND OUTLET MUST BE STENCILED ONTO THE STRUCTURE

Structure Total: 24504 lb

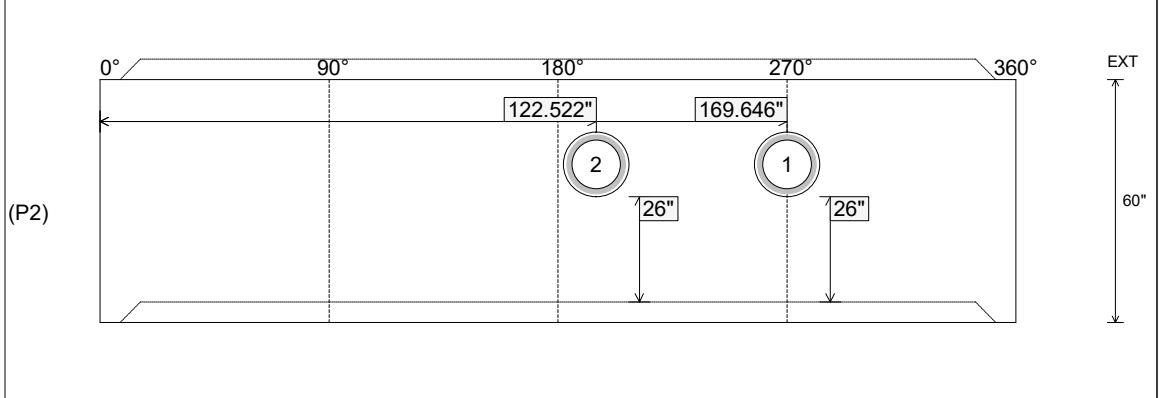
Rim: 440.55' Rim to Invert: 6.5' Slack: 8" Sump: 60" Step Position:

Position	Elev	Angle	Ext. (cw)	Pipe	Pipe OD	Connector	Hole	Horz Size	Up ( )	Offset
Invert 1	434.05'	270°	202.633"	12" HDPE	14.5"	Hole 16	16"	16.135"	26"	0"
Invert 2	434.05'	195°	146.346"	12" HDPE	14.5"	Hole 16	16"	16.135"	26"	0"
Invert 3										
Invert 4										
Invert 5										
Invert 6										
Invert 7										
Invert 8										

**RIGHT-SIDE UP VIEW (int. dimensions)**



**INSIDE WALL DIMENSIONS**



Coating (Int): Coating (Ext):	Seam Up: Tongue Seam Dn: Groove	Wall Thickness: 7" Floor Height: 0"	Height (Int): 60" Height (Ext): 60"	Weight (Net): 8509 lb Volume (Net): 2.17cu.yd
----------------------------------	------------------------------------	--	--	--