

Job Name: 25-4357 - Commonwealth Rolled Products
Job Location: Lewisport, KY
Contractor: Lutgring Bros.

PC: T. Lewis
 TECH: J. Horsley
 Plant: 100



Structure ID: 2
 Spec: Storm
 Type: BX 6inW, 6inF
 Size: 24" x 24"

Rim: 440.792'
 Invert: 436.93'
 Rim to Invert: 3.862'

Sump: 1"
 Floor (Top): 436.847'
 Floor Height: 6"

Floor (Bot): 436.347'
 Overall Height: 4.417'
 Slack: 0.344"

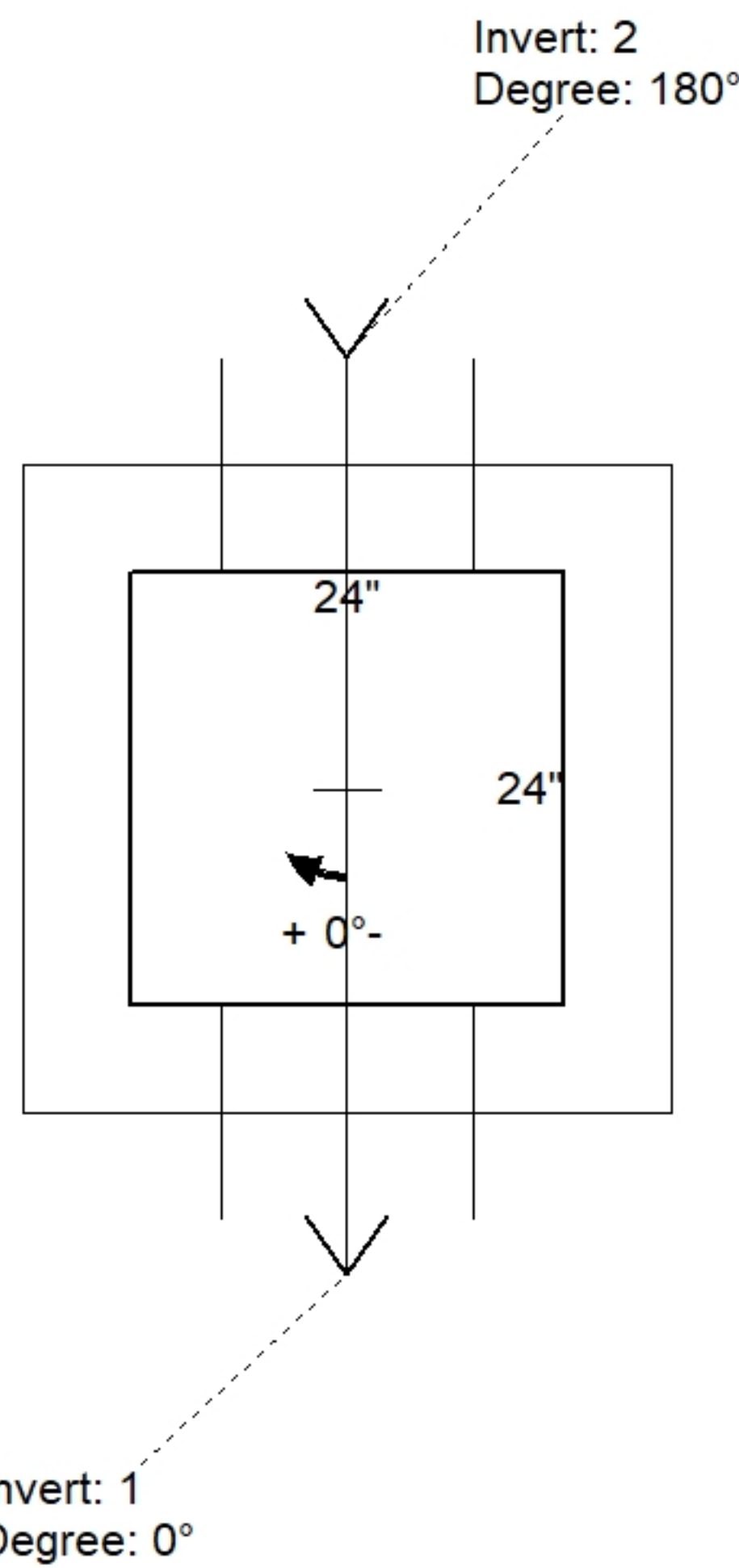
Structure Notes:

1. PER ASTM C913 SPECIFICATIONS.
 2. CONCRETE = 4,000 PSI AT 28 DAYS.
 3. NO STEPS AND NO INVERT CHANNEL.
 4. CASTING BY I-CAST (HOE 280T F/G).
- REINFORCING PER ASTM A615 (GRADE 60).
 - WALLS (As .12) #5 BARS AT 12" C.C.E.W.
 - FLOOR (As .12) #5 BARS AT 12" C.C.E.W.

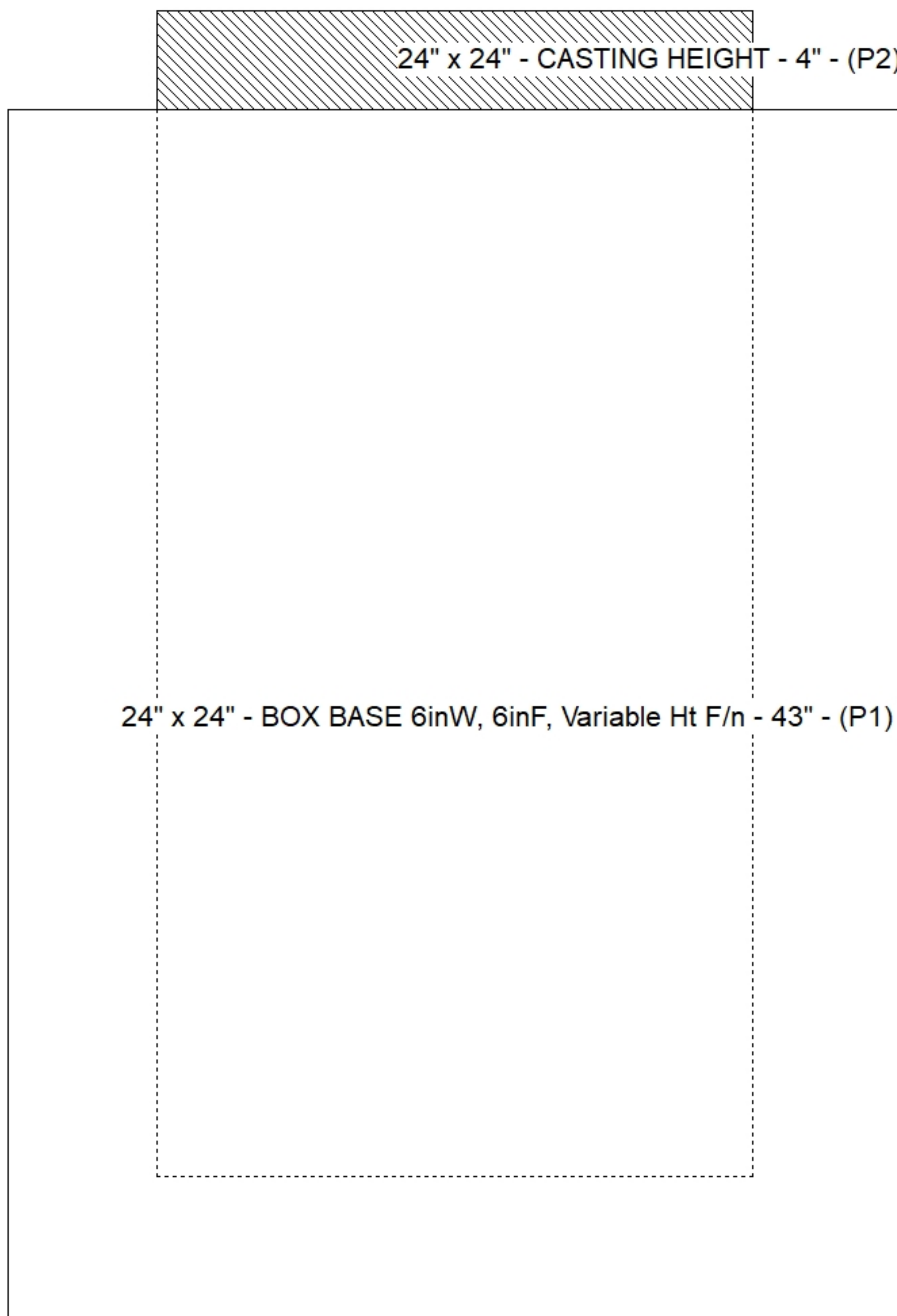
STRUCTURE SUMMARY:

P2) 24" x 24" - CASTING HEIGHT - 4"	0 lb
P1) 24" x 24" - BOX BASE 6inW, 6inF, Variable Ht F/n - 43"	3095 lb
1) CASTING - HOE 280T F/G	182 lb
1) 24" x 24" - Conseal CS-102 1.00"	0 lb
2) Hole - 14	0 lb

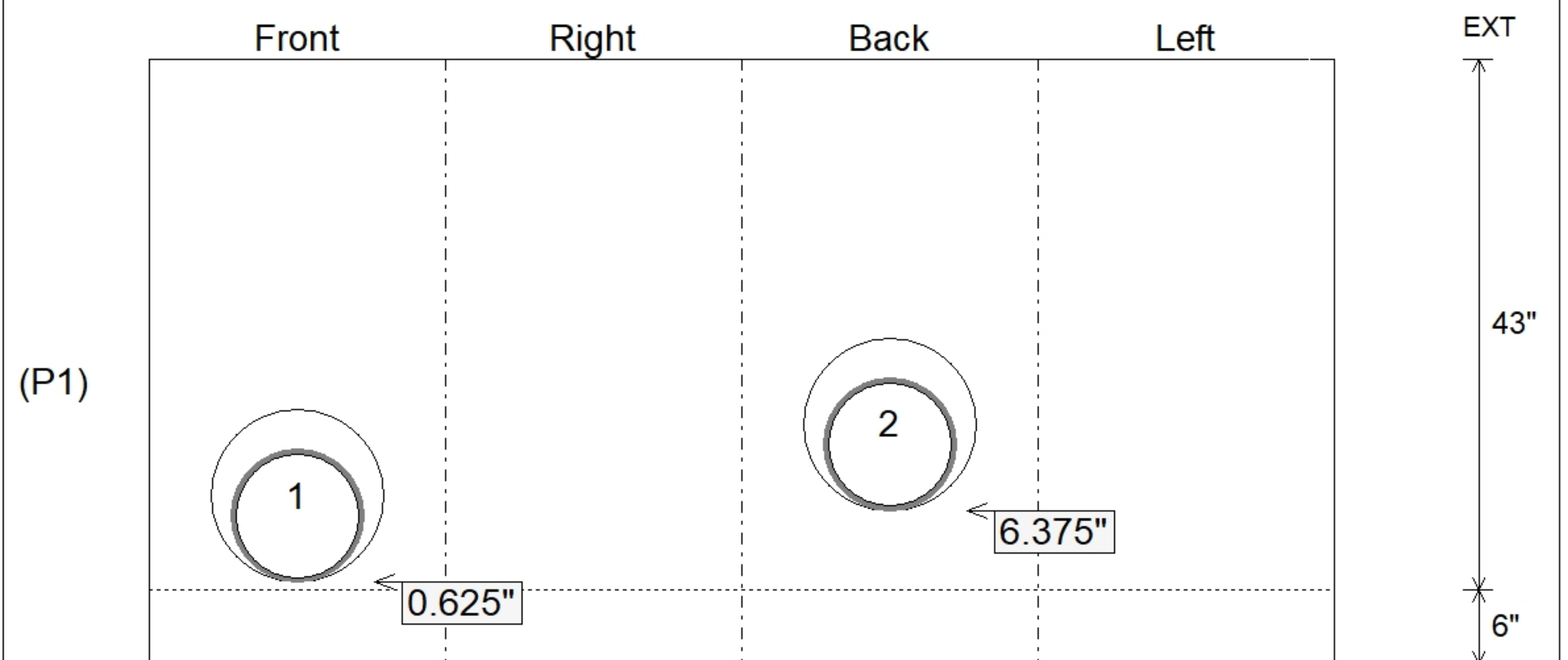
Structure Total:	3277 lb



Position	Elev	Angle	Pipe	Pipe OD	Hole	Connector	Up (")	Ref
Rim	440.792'							
Reducer								
Invert 1	436.93'	0°	10" PVC SCH40	10.75"	14"	Hole 14	0.625"	P1
Invert 2	437.411'	180°	10" PVC SCH40	10.75"	14"	Hole 14	6.375"	P1
Invert 3								
Invert 4								
Invert 5								
Invert 6								
Invert 7								
Invert 8								



Cast (Int. Dim.) - Interior Dimensions



Submittal Drawing
 1/27/2026 1:40:57 PM

SUBMITTAL
 APPROVED BY: