

**Job Name: 25-4342 Pebble Wood Gravity Tie In**  
**Job Location: Owensboro, Kentucky**  
**Contractor: Ernie Davis & Sons Mechanical, Inc.**

PC: A. Chambers  
 TECH: S. Felletter  
 Plant: Beaver Dam



Structure ID: A1

Spec: Sanitary  
 Type: SAN.MH w/ConBlock-CDA Red  
 Size: 48"

Rim: 414.81'  
 Invert: 403.9'  
 Rim to Invert: 10.91'

Sump: 2"  
 Floor (Top): 403.733'  
 Floor Height: 6"

Floor (Bot): 403.233'  
 Overall Height: 2.75'  
 Slack: 105.92"

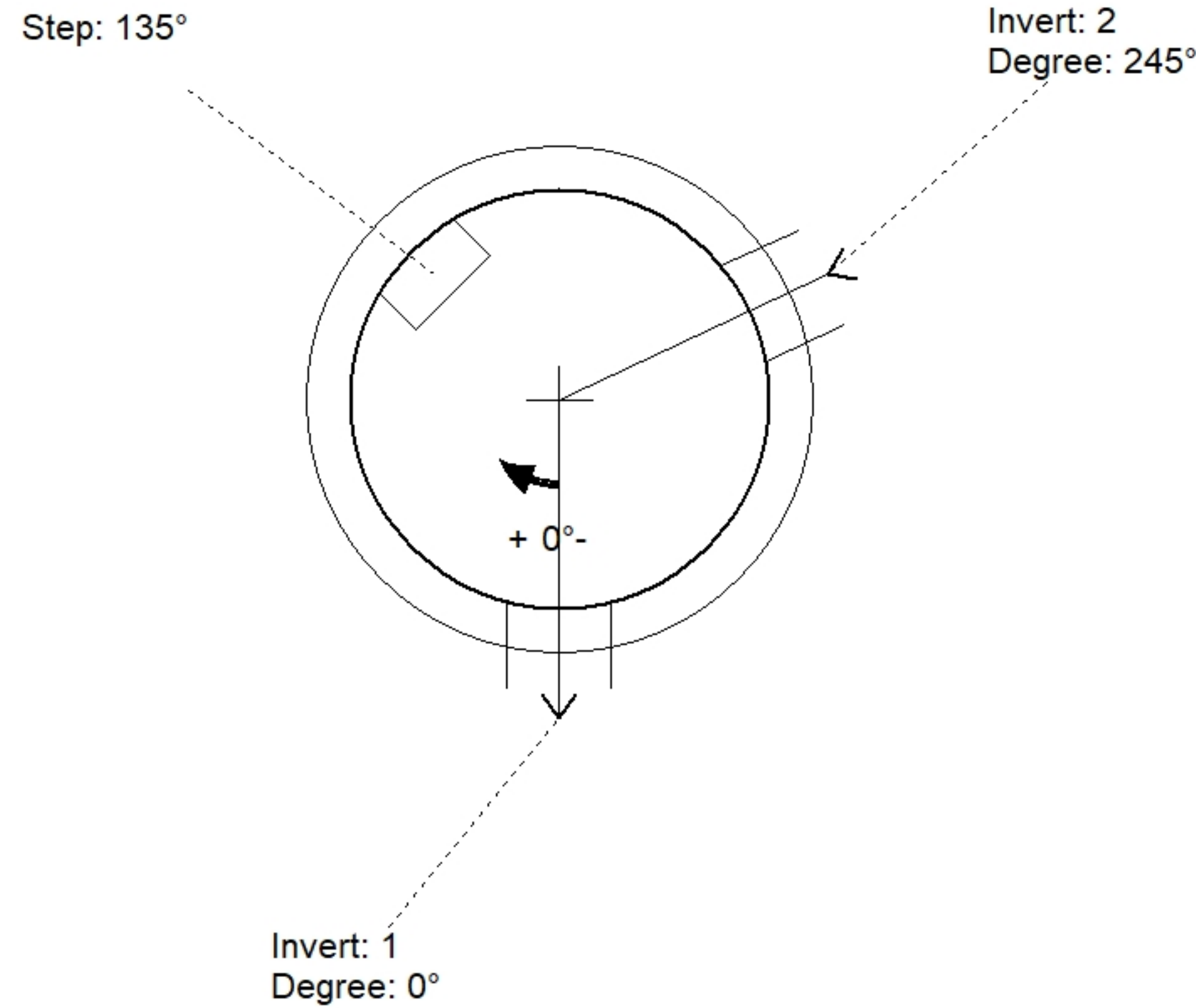
**Structure Notes:**

1. **\*\*BASE ONLY\*\***
2. PER ASTM C478 SPECIFICATIONS.
3. CONCRETE = 4,000 PSI AT 28 DAYS.
4. ADMIXTURE = CONBLOCK CDA RED.

REINFORCING PER ASTM A615 (GRADE 60).  
 - RISER/WALLS (As .12)  
 - FLOOR (As .31) #5 BARS AT 12" C.C.E.W.

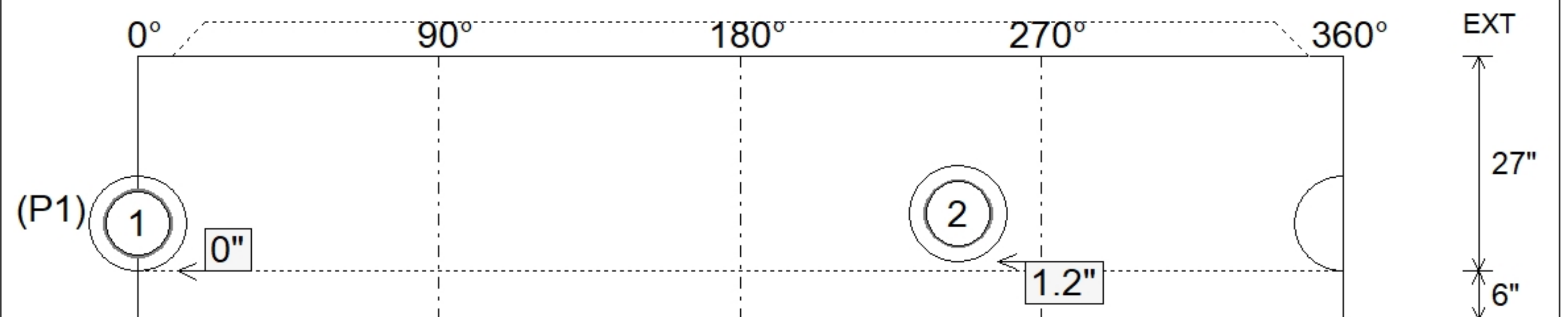
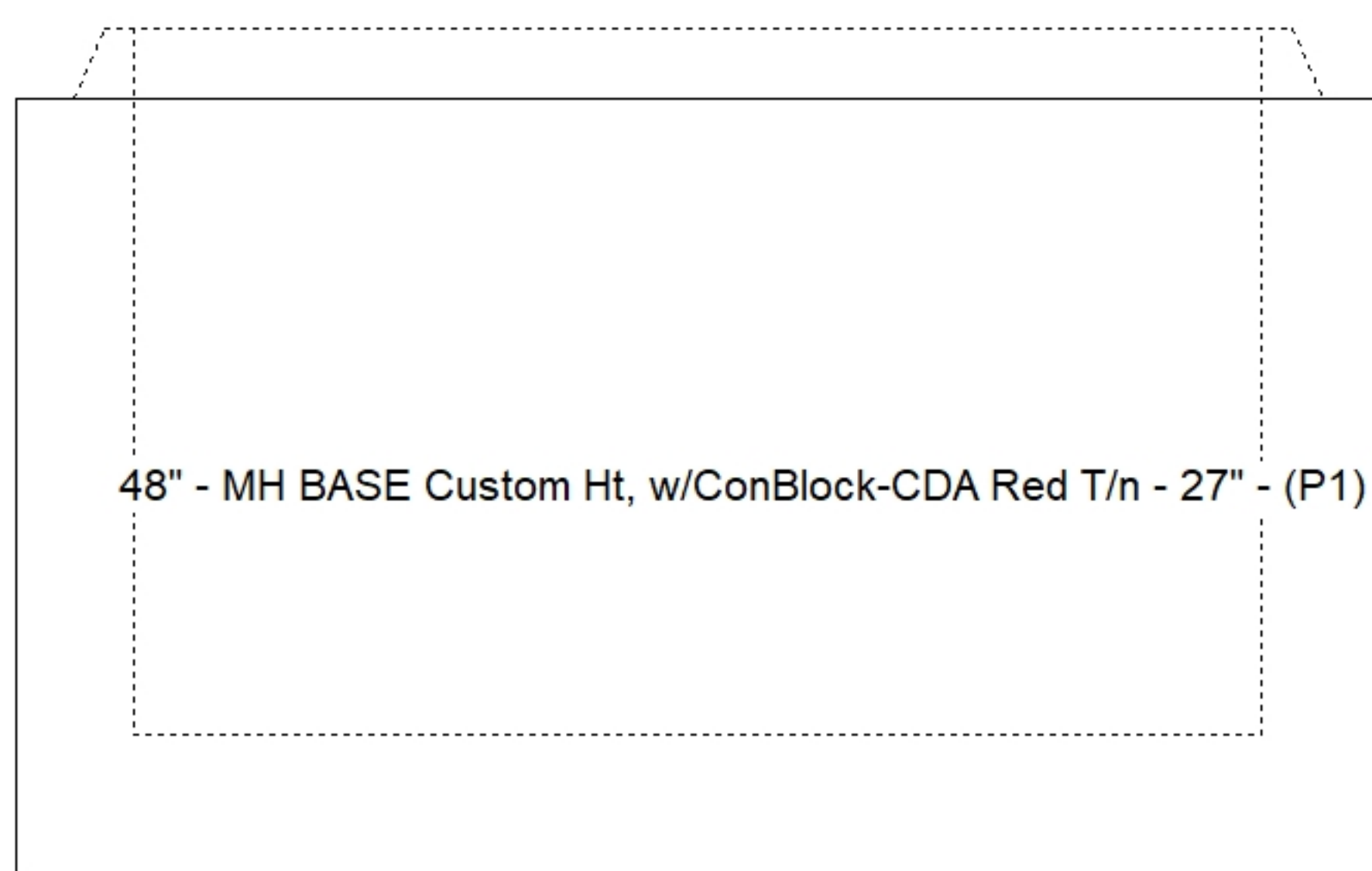
**STRUCTURE SUMMARY:**

P1) 48" - MH BASE Custom Ht, w/ConBlock-CDA Red T/n - 27"	3121 lb
1) 48" - MH INVERT CHANNEL w/ConBlock-CDA Red - FULL HEIGHT	1440 lb
1) JOINT WRAP - 0.065"x6"x50' CONSEAL CS212	0 lb
1) JOINT WRAP PRIMER - CONSEAL CS-75 (1 gal.)	0 lb
1) 48" - Con Seal CS-102 1.00" (Double)	0 lb
1) PSX - 12-08 NYLO	8 lb
1) PSX - 12M NYLO	8 lb
2) MH Step ML-10-TDS-NCR - 10"	0 lb
<b>Structure Total:</b>	<b>4577 lb</b>



Position	Elev	Angle	Pipe	Pipe OD	Hole	Connector	Up (")	Ref
Rim	414.81'							
Reducer								
Invert 1	403.9'	0°	8" PVC SDR35	8.5"	12"	PSX 12-08 NYLO	0"	P1
Invert 2	404'	245°	8" PVC SDR26	8.5"	12"	PSX 12M NYLO	1.2"	P1
Invert 3								
Invert 4								
Invert 5								
Invert 6								
Invert 7								
Invert 8								

**Default - Interior Dimensions**



Submittal Drawing  
 3/25/2026 3:51:24 PM

SUBMITTAL  
 APPROVED BY: