

**Job Name: 25-4339 - Foxborough Storm Phase 2**  
**Job Location: Elizabethtown, KY**  
**Contractor: Dirt Works Unlimited, LLC.**

PC: C. Goff  
 TECH: J. Horsley - F  
 Plant: 100

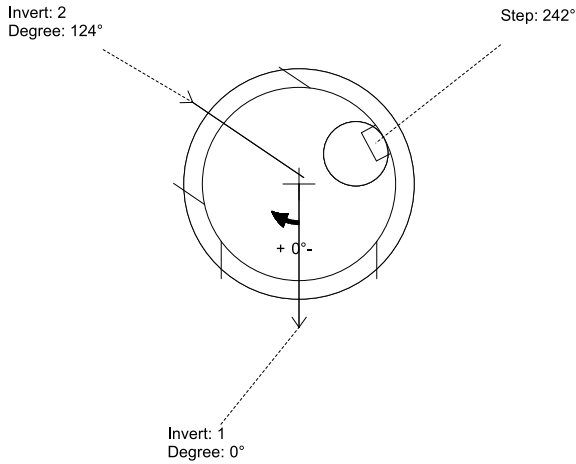


Structure ID: **MH 2**  
 Spec: Storm Rim: 818.61'  
 Type: STM.MH Invert: 813.58'  
 Size: 72" Rim to Invert: 5.03' Sump: 4.5"  
 Floor (Top): 813.205'  
 Floor Height: 8" Floor (Bot): 812.538'  
 Overall Height: 6'  
 Slack: 0.86"

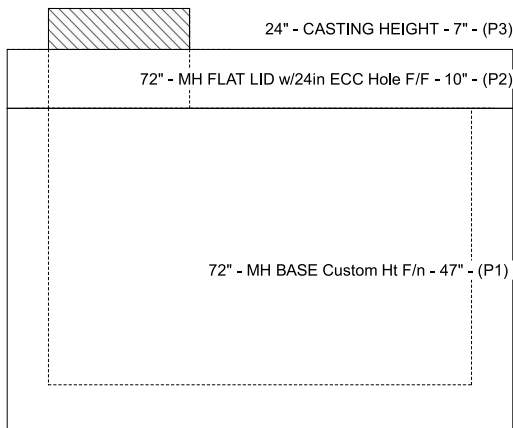
- Structure Notes:**
- PER ASTM C-478 SPECIFICATIONS
  - CONCRETE: 4,000 PSI AT 28 DAYS
  - REINFORCEMENT:
    - FLAT LID TOP MAT: #4 BAR @ 18" C.C. E.W. (GRADE 60)
    - FLAT LID BOTTOM MAT: #4 BAR @ 9" C.C. E.W. (GRADE 60)
    - BASE: PER ASTM A615
  - STEPS AT 242.5 DEGREES
  - NO INVERT CHANNEL
  - CASTING BY ICAST (HOE MC-315 FRAME & COVER "STORM")
  - INVERT 2 OFFSET 3" FROM CENTER

**STRUCTURE SUMMARY:**

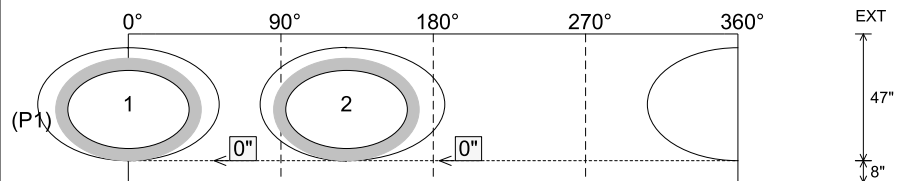
P3) 24" - CASTING HEIGHT - 7"	0 lb
P2) 72" - MH FLAT LID w/24in ECC Hole F/F - 10"	4495 lb
P1) 72" - MH BASE Custom Ht F/n - 47"	8198 lb
1) CASTING - HOE MC-315 F/C Storm	258 lb
1) 72" - Conseal CS-102 1.00"	0 lb
2) Hole - 58 x 42	0 lb
4) MH Step ML-10-TDS-NCR - 10"	0 lb
<b>Structure Total:</b>	<b>12950 lb</b>



Position	Elev	Angle	Pipe	Pipe OD	Hole	Connector	Up (L)	Ref
Rim	818.61'							
Reducer								
Invert 1	813.58'	0°	45" x 29" ELL RCP	54" x 38"	58" x 42"	Hole 58 x 42	0"	P1
Invert 2	813.58'	124°	45" x 29" ELL RCP	54" x 38"	58" x 42"	Hole 58 x 42	0"	P1
Invert 3								
Invert 4								
Invert 5								
Invert 6								
Invert 7								
Invert 8								



**Cast (Int. Dim.) - Interior Dimensions**



Submittal Drawing  
 12/19/2025 7:46:05 AM

SUBMITTAL  
 APPROVED BY: