

Job Name: 25-4339 - Foxborough Storm Phase 2
 Job Location: Elizabethtown, KY
 Contractor: Dirt Works Unlimited, LLC.

Plant: 100

12/19/2025 8:48:49 AM

Tech: J. Horsley - F

PC: C. Goff



Structure ID: MH 2

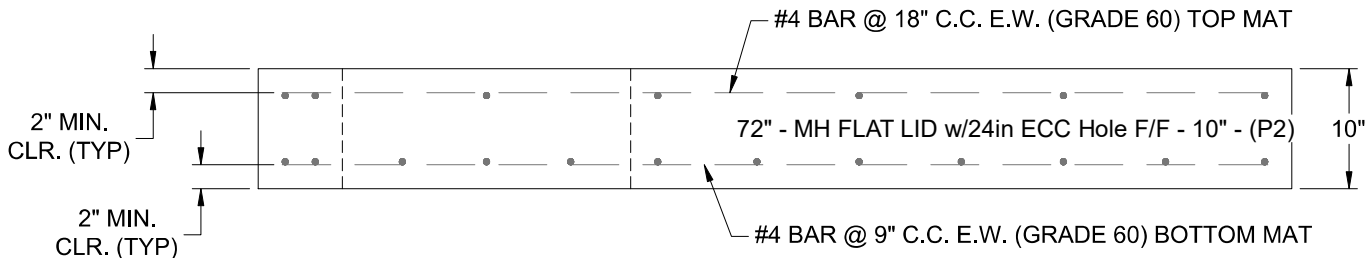
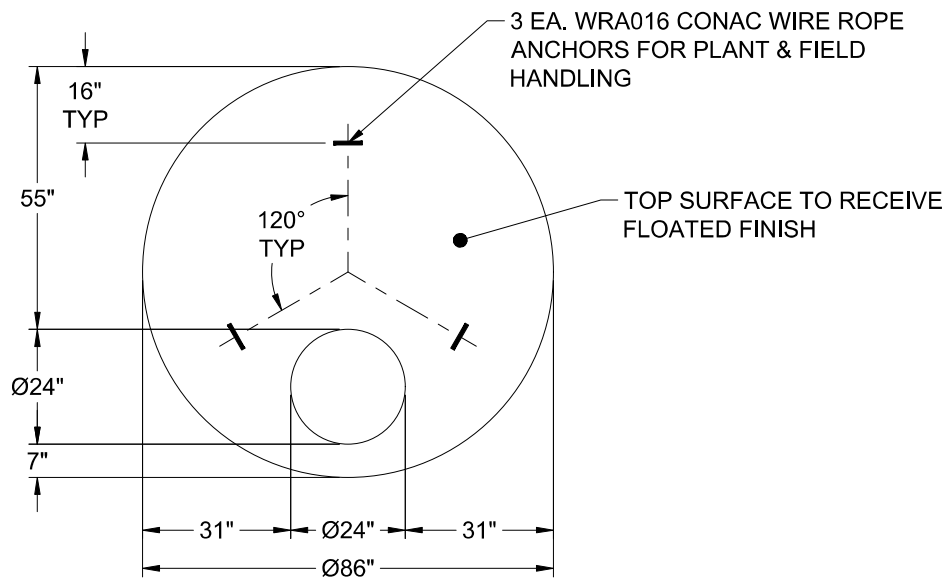
P2 MH072LD10-24ECC

MH FLAT LID w/24in ECC Hole F/F

- P3) 24" - CASTING HEIGHT - 7"
- P2) 72" - MH FLAT LID w/24in ECC Hole F/F - 10"
- P1) 72" - MH BASE Custom Ht F/n - 47"
- 1) CASTING - HOE MC-315 F/C Storm
- 1) 72" - Conseal CS-102 1.00"
- 2) Hole - 58 x 42
- 4) MH Step ML-10-TDS-NCR - 10"

	0 lb
	4495 lb
	8198 lb
	258 lb
	0 lb
	0 lb
	0 lb
Structure Total:	12950 lb

- Structure Notes:**
1. PER ASTM C-478 SPECIFICATIONS
 2. CONCRETE: 4,000 PSI AT 28 DAYS
 3. REINFORCEMENT - 2" MIN. REBAR CLEARANCE
(TYP):
 - TOP MAT: #4 BAR @ 18" C.C. E.W. (GRADE 60)
 - BOTTOM MAT: #4 BAR @ 9" C.C. E.W. (GRADE 60)
 4. STEPS AT 242 DEGREES
 5. NO INVERT CHANNEL
 6. CASTING BY ICAST (HOE MC-315 FRAME & COVER "STORM")
 7. LIFTERS: 3 EA. WRA016 CONAC WIRE ROPE ANCHORS FOR PLANT & FIELD HANDLING



Coating (Int): Coating (Ext):	Seam Up: Flat Seam Dn: Flat	Wall Thickness: 7"	Height (Ext): 10"	Weight (Net): 4495 lb Volume (Net): 1.15cu.yd
----------------------------------	--------------------------------	--------------------	-------------------	--