

**Structure ID: MH 2**

**P1 MH072BAVF**

**MH BASE Custom Ht F/n**

P3) 24" - CASTING HEIGHT - 7" P2) 72" - MH FLAT LID w/24in ECC Hole F/F - 10" P1) 72" - MH BASE Custom Ht F/n - 47" 1) CASTING - HOE MC-315 F/C Storm 1) 72" - Conseal CS-102 1.00" 2) Hole - 58 x 42 4) MH Step ML-10-TDS-NCR - 10"	0 lb 4495 lb 8198 lb 258 lb 0 lb 0 lb 0 lb ----- 12950 lb	<b>Structure Notes:</b> 1. PER ASTM C-478 SPECIFICATIONS 2. CONCRETE: 4,000 PSI AT 28 DAYS 3. REINFORCEMENT: PER ASTM A615 4. STEPS AT 242 DEGREES 5. NO INVERT CHANNEL 6. CASTING BY ICAST (HOE MC-315 FRAME & COVER "STORM") 7. INVERT 2 OFFSET 3" FROM CENTER
--	---	---

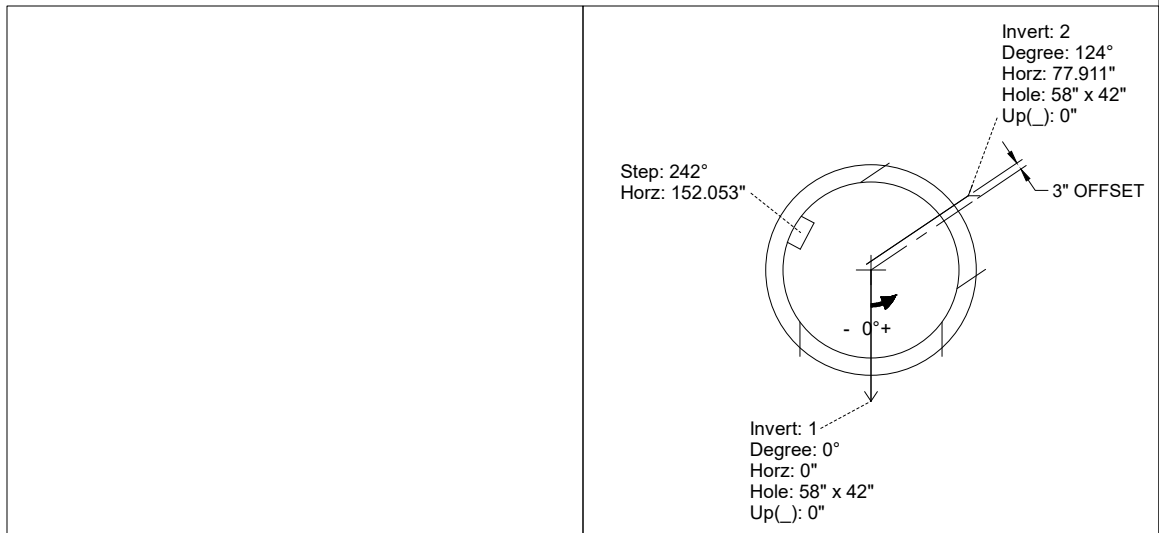
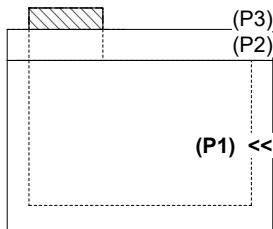
Structure Total: 12950 lb

Rim: 818.61' Rim to Invert: 5.03' Slack: 0.86" Sump: 4.5" Step Position: 242°

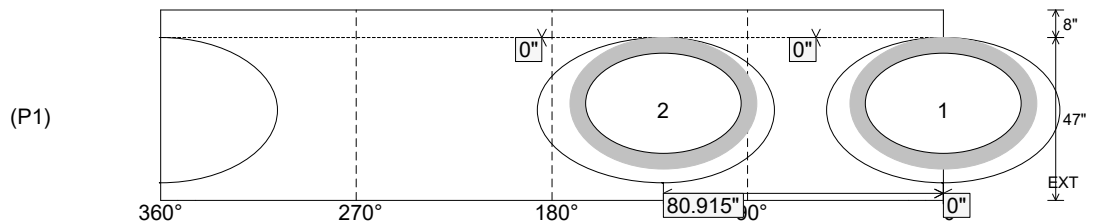
Position	Elev	Angle	Ext. (cw)	Pipe	Pipe OD	Connector	Hole	Horz Size	Up ( )	Offset
Invert 1	813.58'	0°	0"	45" x 29" ELL RCP	54" x 38"	Hole 58 x 42	58" x 42"	67.436"	0"	0"
Invert 2	813.58'	124°	96.063"	45" x 29" ELL RCP	54" x 38"	Hole 58 x 42	58" x 42"	68.469"	0"	3"
Invert 3										
Invert 4										
Invert 5										
Invert 6										
Invert 7										
Invert 8										

RIGHT-SIDE UP VIEW (int. dimensions)

UPSIDE-DOWN VIEW (int. dimensions)



INSIDE WALL DIMENSIONS



Coating (Int): Coating (Ext):	Seam Up: Flat Seam Dn: n/a	Wall Thickness: 7" Floor Height: 8"	Height (Int): 47" Height (Ext): 55"	Weight (Net): 8198 lb Volume (Net): 2.09cu.yd
----------------------------------	-------------------------------	--	--	--