

**Job Name: 25-4339 - Foxborough Storm Phase 2**  
**Job Location: Elizabethtown, KY**  
**Contractor: Dirt Works Unlimited, LLC.**

PC: C. Goff  
 TECH: J. Horsley - F  
 Plant: 100



Structure ID: **JB 3**

Spec: Storm  
 Type: BX 8inW, 10inF  
 Size: 72" x 96"

Rim: 818.5'  
 Invert: 814.22'  
 Rim to Invert: 4.28'

Sump: 1.72"  
 Floor (Top): 814.077'  
 Floor Height: 10"

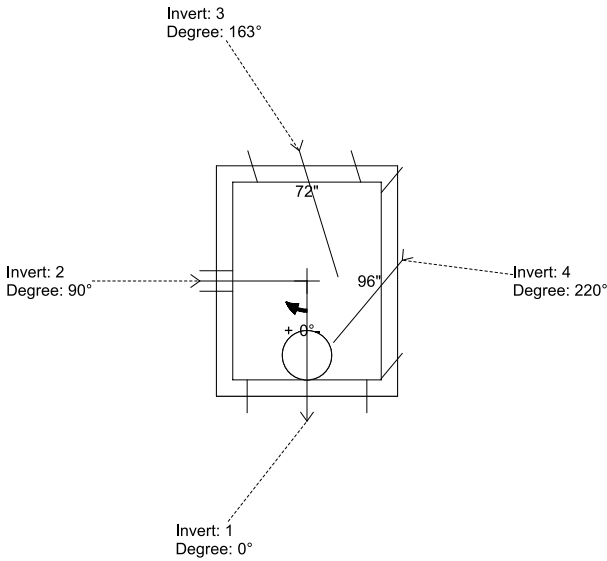
Floor (Bot): 813.244'  
 Overall Height: 5.25'  
 Slack: 0.08"

**Structure Notes:**

- PER ASTM C-913 SPECIFICATIONS
- CONCRETE: 4,000 PSI AT 28 DAYS
- REINFORCEMENT:
  - FLAT LID: #5 BAR @ 6" C.C. E.W. (GRADE 60)
  - BASE: #5 BAR @ 8" C.C. E.W. (GRADE 60)
- NO STEPS
- NO INVERT CHANNEL
- CASTING BY ICAST (HOE MC-315 FRAME & COVER "STORM")

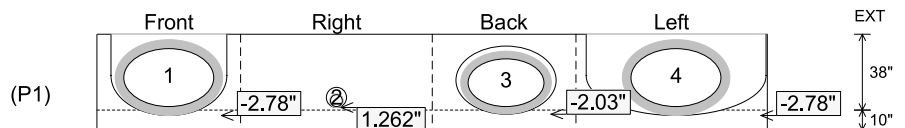
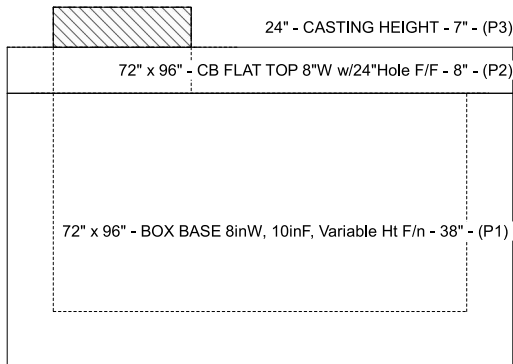
**STRUCTURE SUMMARY:**

- P3) 24" - CASTING HEIGHT - 7" 0 lb
  - P2) 72" x 96" - CB FLAT TOP 8"W w/24"Hole F/F - 8" 6313 lb
  - P1) 72" x 96" - BOX BASE 8inW, 10inF, Variable Ht F/n - 38" 13074 lb
  - 1) CASTING - HOE MC-315 F/C Storm 258 lb
  - 1) 72" x 96" - Conseal CS-102 1.00" 0 lb
  - 2) DOGHOUSE INVRTD - 58"x40" 0 lb
  - 1) Hole - 10 0 lb
  - 1) Hole - 48 x 34 0 lb
- Structure Total: 19645 lb**



Position	Elev	Angle	Pipe	Pipe OD	Hole	Connector	Up (↓)	Ref
Rim	818.5'							
Reducer								
Invert 1	814.22'	0°	45" x 29" ELL RCP	54" x 38"	58" x 40"	DOGHOUSE INVRTD 58"x40"	-2.78"	P1
Invert 2	814.22'	90°	6" HDPE	6.9"	10"	Hole 10	1.262"	P1
Invert 3	814.22'	163°	38" x 24" ELL RCP	45.5" x 31.5"	48" x 34"	Hole 48 x 34	-2.04"	P1
Invert 4	814.22'	220°	45" x 29" ELL RCP	54" x 38"	58" x 40"	DOGHOUSE INVRTD 58"x40"	-2.78"	P1
Invert 5								
Invert 6								
Invert 7								
Invert 8								

**Cast (Int. Dim.) - Interior Dimensions**



Submittal Drawing  
 12/19/2025 7:46:07 AM

SUBMITTAL  
 APPROVED BY: