

Structure ID: JB 3

P1 BX7296-08W10F-BAVF

BOX BASE 8inW, 10inF, Variable Ht F/n

- P3) 24" - CASTING HEIGHT - 7"
- P2) 72" x 96" - CB FLAT TOP 8"W w/24"Hole F/F - 8"
- P1) 72" x 96" - BOX BASE 8inW, 10inF, Variable Ht F/n - 38"
- 1) SECONDARY POUR
- 1) CASTING - HOE MC-315 F/C Storm
- 1) 72" x 96" - Conseal CS-102 1.00"
- 2) DOGHOUSE INVRTD - 58"x40"
- 1) Hole - 10
- 1) Hole - 48 x 34

0 lb
 6313 lb
 13074 lb
 0 lb
 258 lb
 0 lb
 0 lb
 0 lb
 0 lb
 0 lb
 Structure Total: 19645 lb

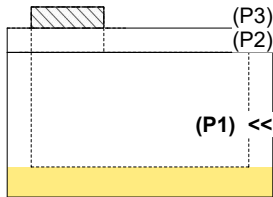
- Structure Notes:**
1. PER ASTM C-913 SPECIFICATIONS
 2. CONCRETE: 4,000 PSI AT 28 DAYS
 3. REINFORCEMENT: #5 BAR @ 8" C.C. E.W. (GRADE 60) - 2" MIN. REBAR CLEARANCE (TYP)
 4. NO STEPS
 5. NO INVERT CHANNEL
 6. CASTING BY ICAST (HOE MC-315 FRAME & COVER "STORM")
 7. PRODUCTION TO WET STICK 30" X 24" #5 L-BARS SPACED @ 12" C.C. E.W. (GRADE 60) OUT OF FLOOR FOR WALL POUR TIE-IN (SEE L-BAR DETAIL)

FIRST POUR (FLOOR): 8,270 LBS
SECOND POUR (WALLS): 4,804 LBS

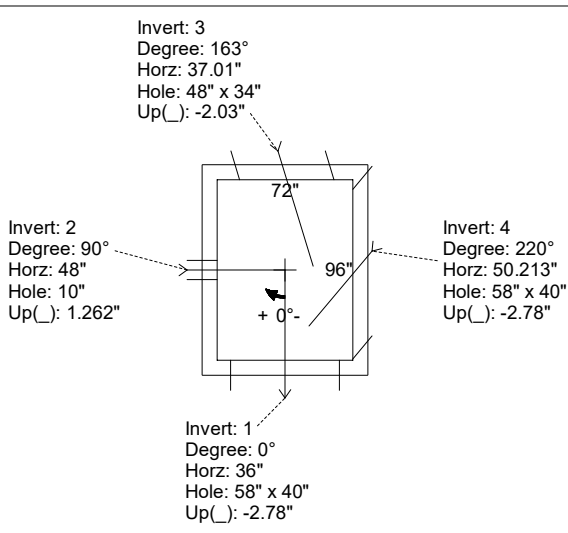
Rim: 818.5' Rim to Invert: 4.28' Slack: 0.08" Sump: 1.72" Step Position:

Position	Elev	Angle	Ext. (cw)	Pipe	Pipe OD	Connector	Hole	Horz Size	Up ()	Offset
Invert 1	814.22'	0°	44"	45" x 29" ELL RCP	54" x 38"	DOGHOUSE INVRTD 58"x40"	58" x 40"	58"	-2.78"	0"
Invert 2	814.22'	90°	56"	6" HDPE	6.9"	Hole 10	10"	10"	1.262"	0"
Invert 3	814.22'	163°	42.564"	38" x 24" ELL RCP	45.5" x 31.5"	Hole 48 x 34	48" x 34"	50.193"	-2.03"	15"
Invert 4	814.22'	220°	48.679"	45" x 29" ELL RCP	54" x 38"	DOGHOUSE INVRTD 58"x40"	58" x 40"	90.232"	-2.78"	29"
Invert 5										
Invert 6										
Invert 7										
Invert 8										

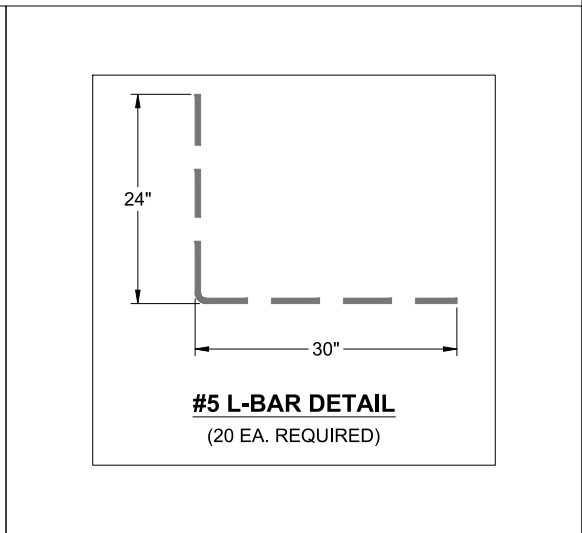
FLOOR: 10"
WALLS: 8"



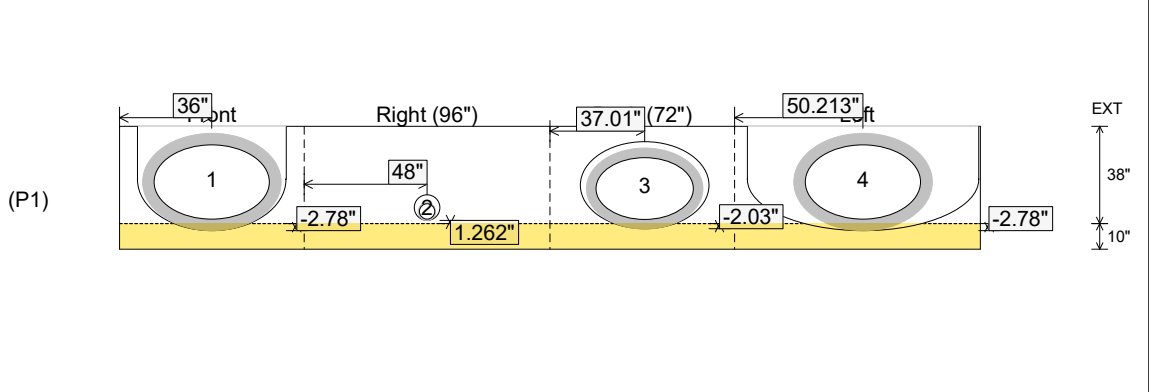
RIGHT-SIDE UP VIEW (int. dimensions)



UPSIDE-DOWN VIEW (int. dimensions)



INSIDE WALL DIMENSIONS



Coating (Int): Coating (Ext):	Seam Up: Flat Seam Dn: n/a	Wall Thickness: 8" Floor Height: 10"	Height (Int): 38" Height (Ext): 48"	Weight (Net): 13074 lb Volume (Net): 3.34cu.yd
----------------------------------	-------------------------------	---	--	---

Job Name: 25-4339 - Foxborough Storm Phase 2	Plant: 100	Tech: J. Horsley - F	
Job Location: Elizabethtown, KY	12/19/2025 8:48:24 AM	PC: C. Goff	
Contractor: Dirt Works Unlimited, LLC.			

Structure ID: JB 3

P1 BX7296-08W10F-BAVF

BOX BASE 8inW, 10inF, Variable Ht F/n

- P3) 24" - CASTING HEIGHT - 7"
- P2) 72" x 96" - CB FLAT TOP 8"W w/24"Hole F/F - 8"
- P1) 72" x 96" - BOX BASE 8inW, 10inF, Variable Ht F/n - 38"
- 1) SECONDARY POUR
- 1) CASTING - HOE MC-315 F/C Storm
- 1) 72" x 96" - Conseal CS-102 1.00"
- 2) DOGHOUSE INVRTD - 58"x40"
- 1) Hole - 10
- 1) Hole - 48 x 34

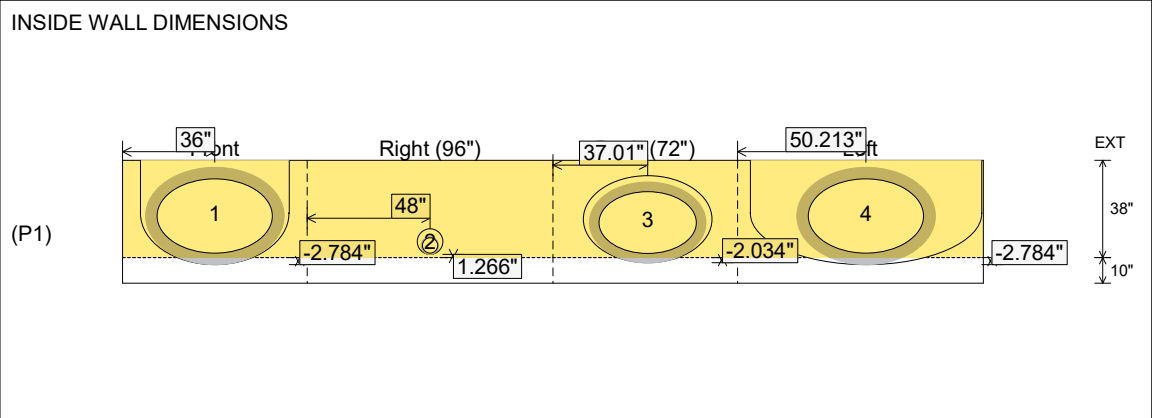
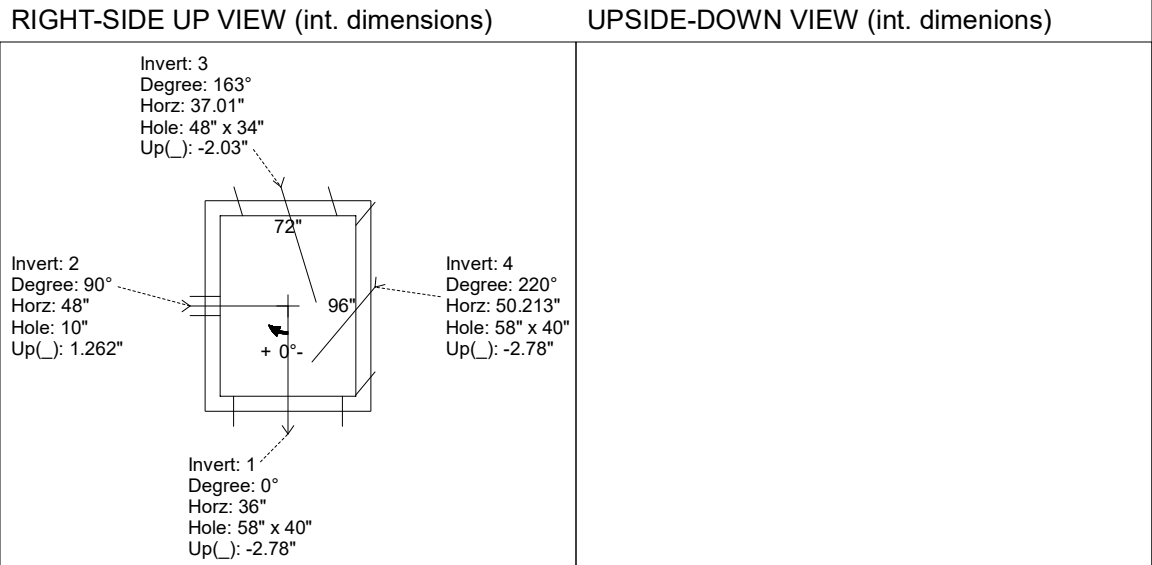
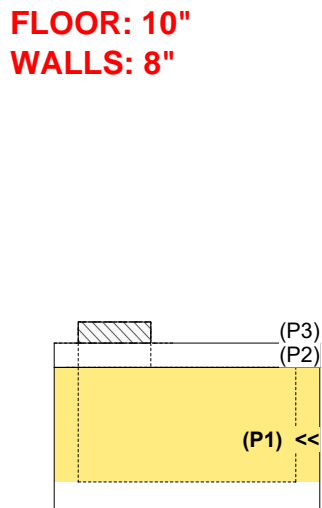
- Structure Notes:**
1. PER ASTM C-913 SPECIFICATIONS
 2. CONCRETE: 4,000 PSI AT 28 DAYS
 3. REINFORCEMENT: #5 BAR @ 8" C.C. E.W. (GRADE 60) - 2" MIN. REBAR CLEARANCE (TYP)
 4. NO STEPS
 5. NO INVERT CHANNEL
 6. CASTING BY ICAST (HOE MC-315 FRAME & COVER "STORM")
 7. LIFTERS: 4 EA. 5CA18 CONAC A-ANCHORS FOR PLANT & FIELD HANDLING - INSTALLED IN FLOOR

0 lb
6313 lb
13074 lb
0 lb
258 lb
0 lb
0 lb
0 lb
0 lb
0 lb
Structure Total: 19645 lb

FIRST POUR (FLOOR): 8,270 LBS
SECOND POUR (WALLS): 4,804 LBS

Rim: 818.5' Rim to Invert: 4.28' Slack: 0.08" Sump: 1.72" Step Position:

Position	Elev	Angle	Ext. (cw)	Pipe	Pipe OD	Connector	Hole	Horz Size	Up ()	Offset
Invert 1	814.22'	0°	44"	45" x 29" ELL RCP	54" x 38"	DOGHOUSE INVRTD 58"x40"	58" x 40"	58"	-2.78"	0"
Invert 2	814.22'	90°	56"	6" HDPE	6.9"	Hole 10	10"	10"	1.262"	0"
Invert 3	814.22'	163°	42.564"	38" x 24" ELL RCP	45.5" x 31.5"	Hole 48 x 34	48" x 34"	50.193"	-2.03"	15"
Invert 4	814.22'	220°	48.679"	45" x 29" ELL RCP	54" x 38"	DOGHOUSE INVRTD 58"x40"	58" x 40"	90.232"	-2.78"	29"
Invert 5										
Invert 6										
Invert 7										
Invert 8										



Coating (Int): Coating (Ext):	Seam Up: Flat Seam Dn: n/a	Wall Thickness: 8" Floor Height: 10"	Height (Int): 38" Height (Ext): 48"	Weight (Net): 13074 lb Volume (Net): 3.34cu.yd
----------------------------------	-------------------------------	---	--	---