



**Structure ID: HW 5**

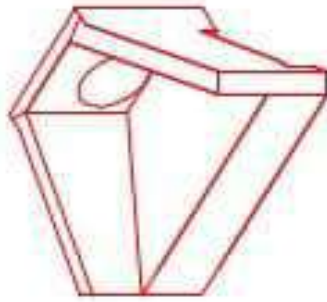
**P1 HWPC2438**

**38" x 24" - PIPE CULVERT HEADWALL (ELL.RCP) F/F**

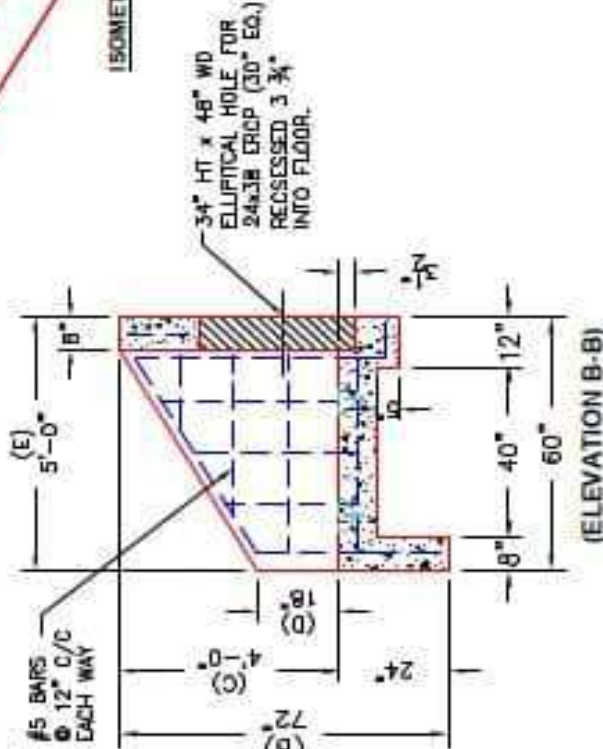
DIMENSIONS									
PIPE #	A	B	C	D	E	F	G	H	HEIGHT
24x38 ERCP	4'-0"	8'-0"	4'-0"	1'-0"	5'-0"	34"x48" ELLIP	8'-0"	3'-0"	8,820 lbs.

**GENERAL NOTES:**

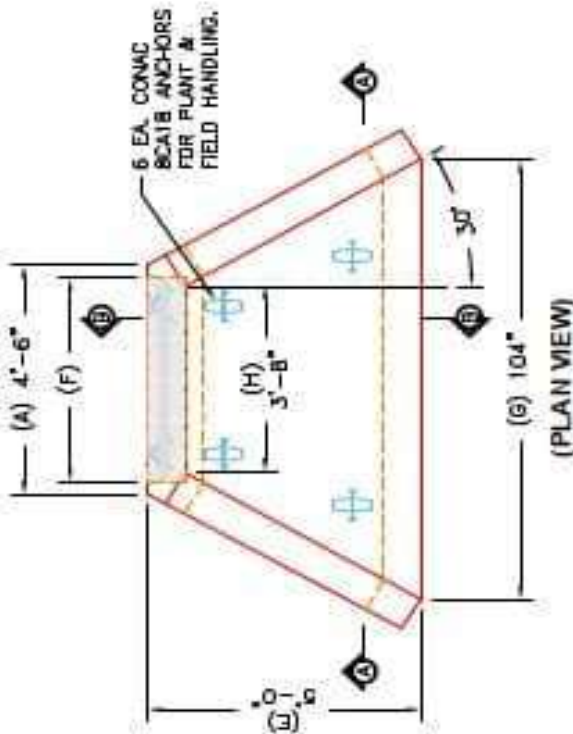
- THE FOLLOWING STANDARD SPECIFICATIONS APPLY:  
 - REINFORCING-B11.02, Structure-710.03.01,  
 - TACK WELDING-606.03.04
- MINIMUM 2" CONCRETE COVER ON REBAR.
- CONCRETE-4500 PS @ 28 DAYS.  
 WITH AIR ENTRAINMENT.
- TO BE USED IN CONJUNCTION WITH KOBH  
 DRAWING RCH-110-02 & RCH-220-02.
- 3/4" CHAMFER ON ALL EXPOSED EDGES.
- REINFORCING: #5 @ 12" C/C E.W. TYPICAL.



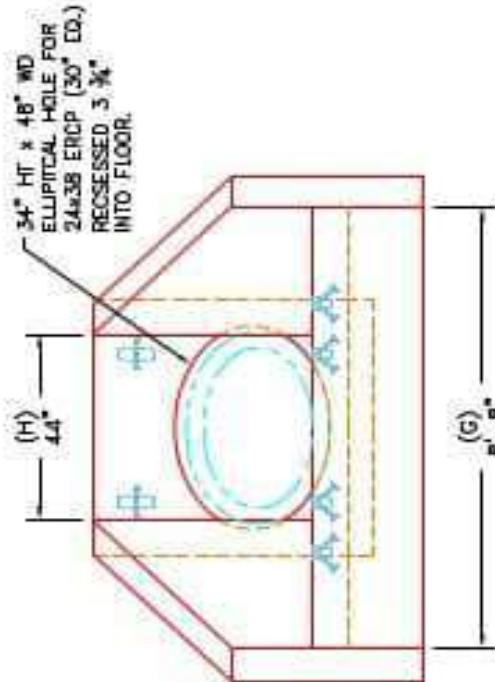
ISOMETRIC VIEW



(ELEVATION B-B)



(PLAN VIEW)



(ELEVATION A-A)

PRODUCTION WORK ORDER		PRODUCT I.D.: HWPC2438	
QUALITY CONTROL CHECKLIST	PRODUCT VIEW: RIGHT SIDE UP	CUSTOMER:	T.B.D.
<input type="checkbox"/> ALL DIMENSIONS CORRECT.	PLANT: BEAVER DAM, KY.	PROJECT:	T.B.D.
<input type="checkbox"/> LIFTERS INSTALLED.	WEIGHT: 8,820 LBS.	STRUCTURE ID:	T.B.D.
<input type="checkbox"/> HOLE CORRECT.	TOP SECTION JOINT: N/A	SALES ORDER NO:	T.B.D.
<input type="checkbox"/> REINFORCING CORRECT.	BASE SECTION JOINT: N/A	PC: J.H. ROSS, PE	DRAWING: J. HORSLEY
<input type="checkbox"/> SURFACE QUALITY ACCEPTABLE.	QC CHECK INITIALS:	DATE: 10/18/23	SCALE: NTS
<input type="checkbox"/> EDGES CHAMFERED.			PG. 1 of 1
<input type="checkbox"/> ALL PATCHWORK ACCEPTABLE.			

