

Job Name: 25-4337 - Maywood Phase13  
 Job Location: Bardstown, KY  
 Contractor: Buzick Construction

Plant: 100

12/9/2025 11:29:34 AM

Tech: J. Horsley - F

PC: C. Goff



**Structure ID: CI7**

**P2 MH060LD08-24X36RECT**

**MH FLAT TOP w/24"x36" Hole F/F**

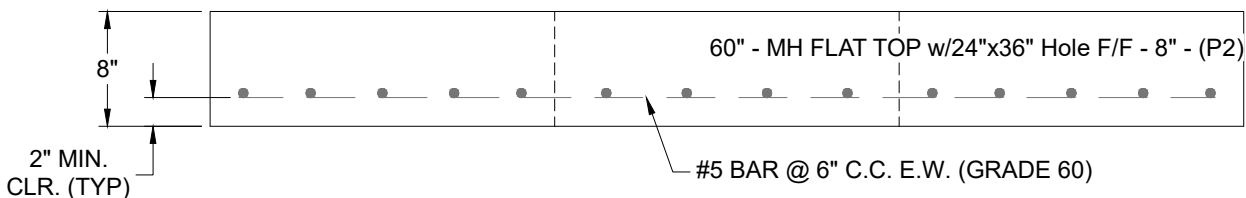
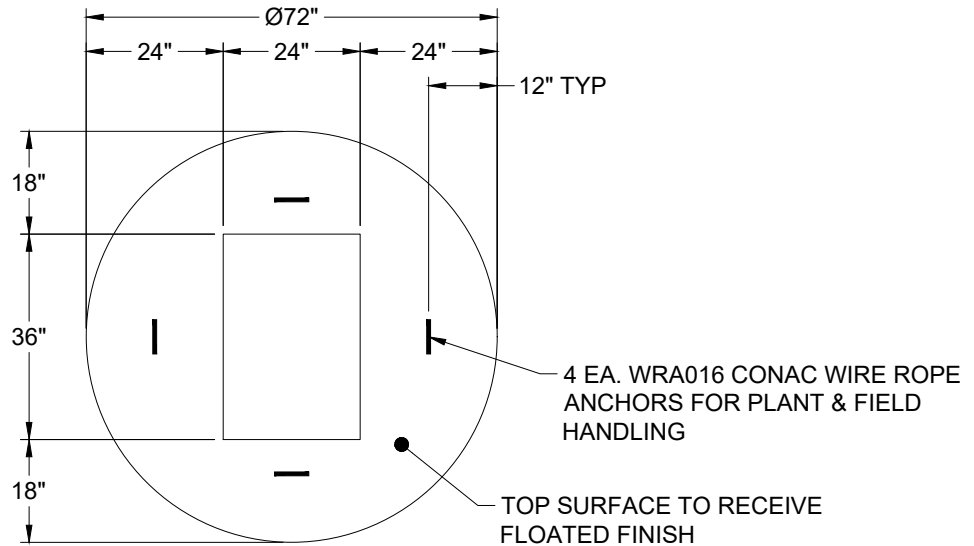
- P3) 24" x 36" - CASTING HEIGHT - 6"
- P2) 60" - MH FLAT TOP w/24"x36" Hole F/F - 8"
- P1) 60" - MH BASE Custom Ht F/n - 53"
- 1) 60" - Conseal CS-102 1.00"
- 1) 24" x 36" - Conseal CS-102 1.00"
- 1) Hole - 48
- 1) Hole - 44
- 4) MH Step ML-10-TDS-NCR - 10"

0 lb  
 2153 lb  
 6398 lb  
 0 lb  
 0 lb  
 0 lb  
 0 lb  
 0 lb  
 0 lb  
 -----  
 8551 lb

Structure Total:

Structure Notes:

1. PER ASTM C-478 SPECIFICATIONS
2. CONCRETE: 4,000 PSI AT 28 DAYS
3. REINFORCEMENT: #5 BAR @ 6" C.C. E.W. (GRADE 60) - 2" MIN. REBAR CLEARANCE (TYP)
4. NO INVERT CHANNEL
5. CASTING SUPPLIED BY OTHERS (HOE 470 FRAME, GRATE, & CURB HOOD)
6. LIFTERS: 4 EA. WRA016 CONAC WIRE ROPE ANCHORS FOR PLANT & FIELD HANDLING



Coating (Int):  
 Coating (Ext):

Seam Up: Flat  
 Seam Dn: Flat

Wall Thickness: 6"

Height (Ext): 8"

Weight (Net): 2153 lb  
 Volume (Net): 0.55cu.yd