

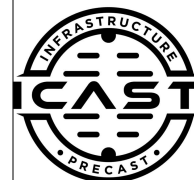
Job Name: 25-4337 - Maywood Phase13
 Job Location: Bardstown, KY
 Contractor: Buzick Construction

Plant: 100

12/9/2025 11:29:32 AM

Tech: J. Horsley - F

PC: C. Goff



Structure ID: CI4

P2 MH060LD08-24X36RECT

MH FLAT TOP w/24"x36" Hole F/F

- P3) 24" x 36" - CASTING HEIGHT - 6"
- P2) 60" - MH FLAT TOP w/24"x36" Hole F/F - 8"
- P1) 60" - MH BASE Custom Ht F/n - 41"
- 1) 60" - Conseal CS-102 1.00"
- 1) 24" x 36" - Conseal CS-102 1.00"
- 1) Hole - 38
- 1) DOGHOUSE INVRTD - 40"x41"
- 3) MH Step ML-10-TDS-NCR - 10"

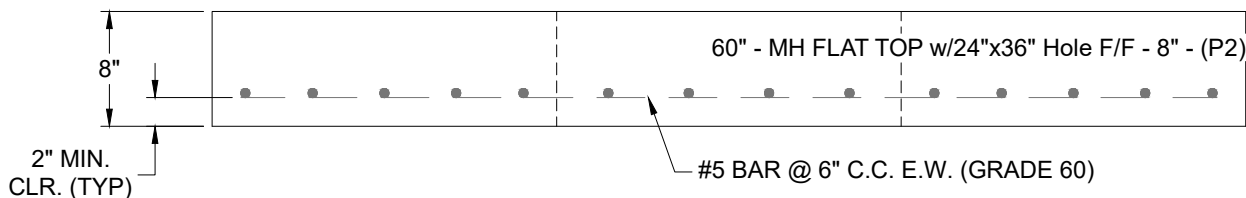
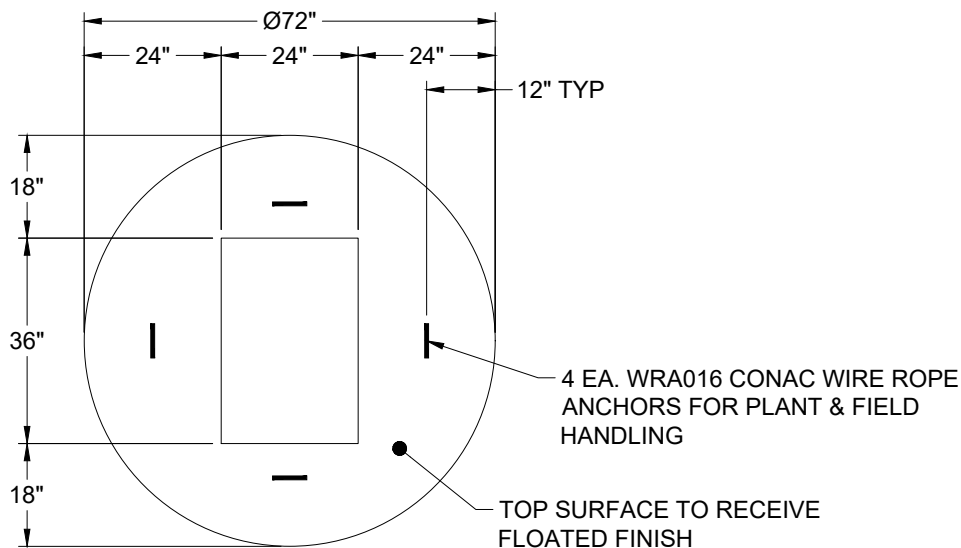
0 lb
 1546 lb
 5612 lb
 0 lb
 0 lb
 0 lb
 0 lb
 0 lb

 0 lb

Structure Total: 7157 lb

Structure Notes:

1. PER ASTM C-478 SPECIFICATIONS
2. CONCRETE: 4,000 PSI AT 28 DAYS
3. REINFORCEMENT: #5 BAR @ 6" C.C. E.W. (GRADE 60) - 2" MIN. REBAR CLEARANCE (TYP)
4. NO INVERT CHANNEL
5. CASTING SUPPLIED BY OTHERS (HOE 470 FRAME, GRATE, & CURB HOOD)
6. LIFTERS: 4 EA. WRA016 CONAC WIRE ROPE ANCHORS FOR PLANT & FIELD HANDLING



Coating (Int):
 Coating (Ext):

Seam Up: Flat
 Seam Dn: Flat

Wall Thickness: 6"

Height (Ext): 8"

Weight (Net): 1546 lb
 Volume (Net): 0.4cu.yd