

**Structure ID: CI3**

**P1 MH060BAVF**

**MH BASE Custom Ht F/n**

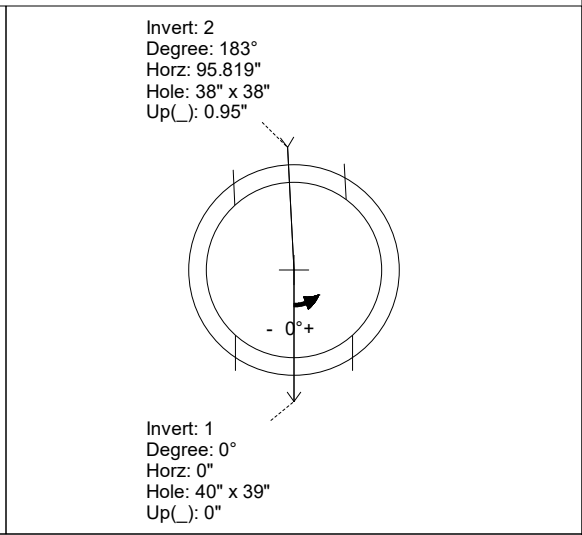
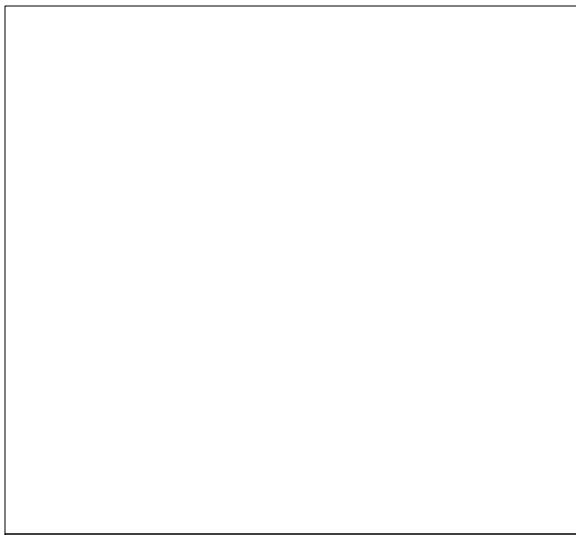
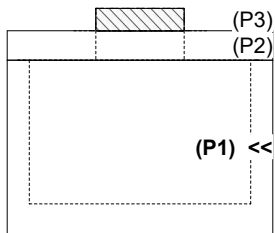
P3) 24" x 36" - CASTING HEIGHT - 6" P2) 60" - MH FLAT TOP w/24"x36" Hole F/F - 8" P1) 60" - MH BASE Custom Ht F/n - 39" 1) 60" - Conseal CS-102 1.00" 1) 24" x 36" - Conseal CS-102 1.00" 1) DOGHOUSE INVRTD - 40"x39" 1) DOGHOUSE INVRTD - 38"x38"	0 lb 2153 lb 5355 lb 0 lb 0 lb 0 lb 0 lb ----- 0 lb	<b>Structure Notes:</b> 1. PER ASTM C-478 SPECIFICATIONS 2. CONCRETE: 4,000 PSI AT 28 DAYS 3. REINFORCEMENT: PER ASTM A615 4. NO STEPS AND NO INVERT CHANNEL 5. CASTING SUPPLIED BY OTHERS (HOE 470 FRAME, GRATE, & CURB HOOD)
Structure Total: 7508 lb		

Rim: 701.25'    Rim to Invert: 4.13'    Slack: 0.06"    Sump: 3.5"    Step Position:

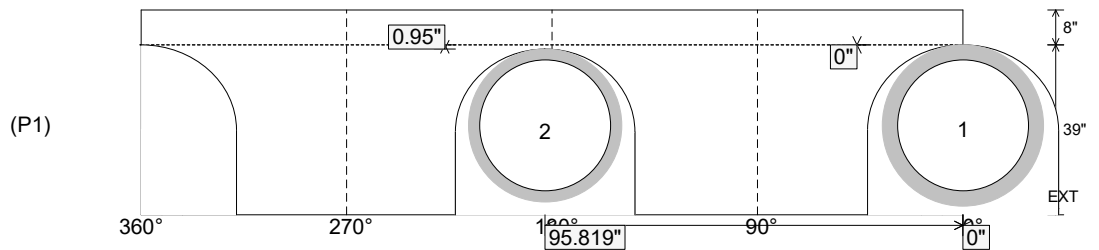
Position	Elev	Angle	Ext. (cw)	Pipe	Pipe OD	Connector	Hole	Horz Size	Up ( )	Offset
Invert 1	697.12'	0°	0"	30" RCP B WALL	37"	DOGHOUSE INVRTD 40"x39"	40" x 39"	43.784"	0"	0"
Invert 2	697.12'	183°	114.982"	30" HDPE	35.1"	DOGHOUSE INVRTD 38"x38"	38" x 38"	41.151"	0.95"	0"
Invert 3										
Invert 4										
Invert 5										
Invert 6										
Invert 7										
Invert 8										

RIGHT-SIDE UP VIEW (int. dimensions)

UPSIDE-DOWN VIEW (int. dimensions)



INSIDE WALL DIMENSIONS



Coating (Int): Coating (Ext):	Seam Up: Flat Seam Dn: n/a	Wall Thickness: 6" Floor Height: 8"	Height (Int): 39" Height (Ext): 47"	Weight (Net): 5355 lb Volume (Net): 1.37cu.yd
----------------------------------	-------------------------------	--	--	--