

Job Name: 25-4337 - Maywood Phase13
Job Location: Bardstown, KY
Contractor: Buzick Construction

PC: C. Goff
 TECH: J. Horsley - F
 Plant: 100



Structure ID: **CB9**
 Spec: Storm
 Type: STM.MH
 Size: 48"

Rim: 702.57'
 Invert: 698.31'
 Rim to Invert: 4.26'

Sump: 1.9"
 Floor (Top): 698.152'
 Floor Height: 6"

Floor (Bot): 697.652'
 Overall Height: 4.917'
 Slack: 0.02"

Structure Notes:

1. PER ASTM C478 SPECIFICATIONS.
2. CONCRETE = 4,000 PSI AT 28 DAYS.
3. NO STEPS AND NO INVERT CHANNEL.
4. CASTING SUPPLIED BY OTHERS (HOE 595 F/G).

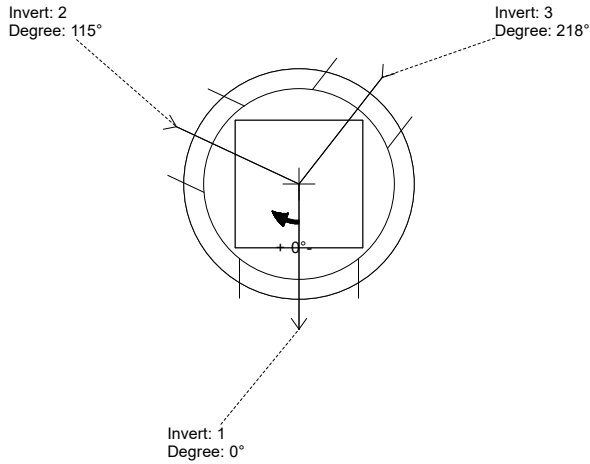
REINFORCING PER ASTM A615 (GRADE 60).
 - TOP SLAB (As .62) #5 BARS AT 6" C.C.E.W..
 - RISER/WALLS (As .12)
 - FLOOR (As .31) #5 BARS AT 12" C.C.E.W.

STRUCTURE SUMMARY:

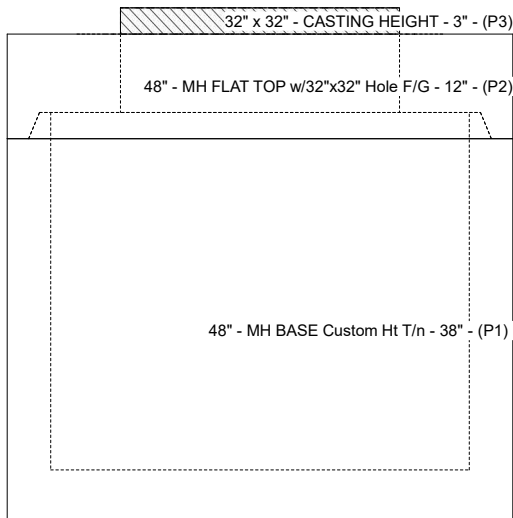
- P3) 32" x 32" - CASTING HEIGHT - 3"
- P2) 48" - MH FLAT TOP w/32"x32" Hole F/G - 12"
- P1) 48" - MH BASE Custom Ht T/n - 38"
- 1) 48" - Conseal CS-102 1.00"
- 1) 32" x 32" - Conseal CS-102 1.00"
- 1) Hole - 30
- 2) Hole - 24

0 lb
 1629 lb
 3274 lb
 0 lb
 0 lb
 0 lb
 0 lb
 0 lb

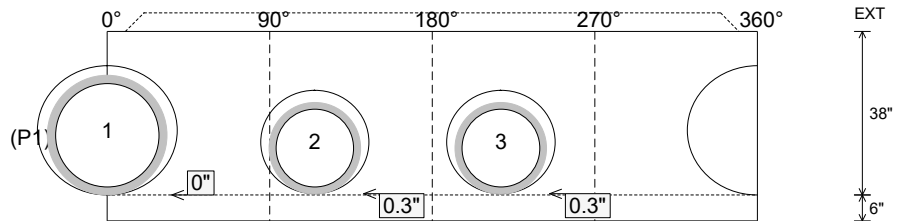
Structure Total: 4904 lb



Position	Elev	Angle	Pipe	Pipe OD	Hole	Connector	Up (L)	Ref
Rim	702.57'							
Reducer								
Invert 1	698.31'	0°	24" HDPE	27.8"	30"	Hole 30	0"	P1
Invert 2	698.31'	115°	18" HDPE	21.2"	24"	Hole 24	0.3"	P1
Invert 3	698.31'	218°	18" HDPE	21.2"	24"	Hole 24	0.3"	P1
Invert 4								
Invert 5								
Invert 6								
Invert 7								
Invert 8								



Cast (Int. Dim.) - Interior Dimensions



Submittal Drawing
 12/9/2025 11:10:40 AM

SUBMITTAL
 APPROVED BY: