

**Job Name: 25-4337 - Maywood Phase13**  
**Job Location: Bardstown, KY**  
**Contractor: Buzick Construction**

PC: C. Goff  
 TECH: J. Horsley - F  
 Plant: 100



Structure ID: **CB7**

Spec: Storm  
 Type: STM.MH (Recessed pipe)  
 Size: 48"

Rim: 702.95'  
 Invert: 699.29'  
 Rim to Invert: 3.66'

Sump: 0"  
 Floor (Top): 699.29'  
 Floor Height: 6"

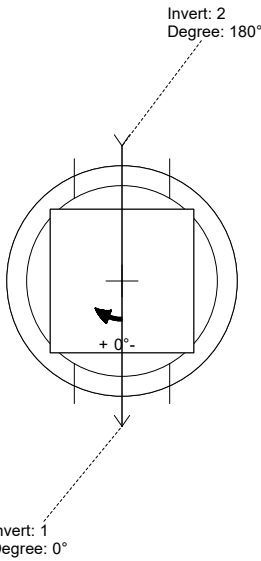
Floor (Bot): 698.79'  
 Overall Height: 4.083'  
 Slack: 0.92"

**Structure Notes:**

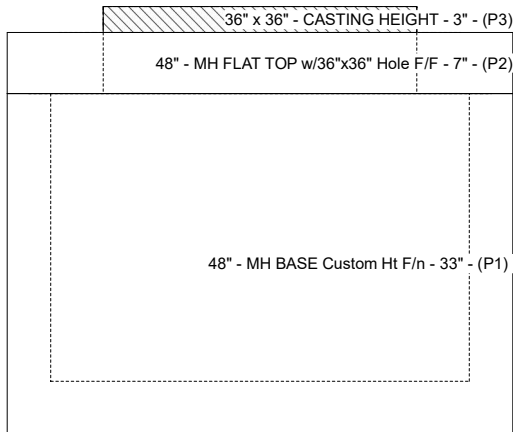
- PER ASTM C478 SPECIFICATIONS.
  - CONCRETE = 4,000 PSI AT 28 DAYS.
  - NO STEPS AND NO INVERT CHANNEL.
  - CASTING SUPPLIED BY OTHERS (HOE 595 F/G).
- REINFORCING PER ASTM A615 (GRADE 60).  
 - TOP SLAB (As .62) #5 BARS AT 6" C.C.E.W..  
 - RISER/WALLS (As .12)  
 - FLOOR (As .31) #5 BARS AT 12" C.C.E.W.

**STRUCTURE SUMMARY:**

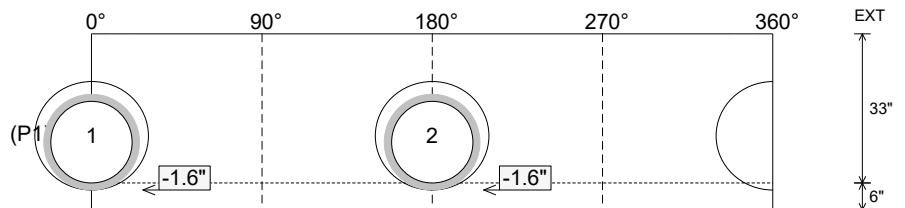
- P3) 36" x 36" - CASTING HEIGHT - 3" 0 lb
- P2) 48" - MH FLAT TOP w/36"x36" Hole F/F - 7" 791 lb
- P1) 48" - MH BASE Custom Ht F/n - 33" 3241 lb
- 1) 48" - Conseal CS-102 1.00" 0 lb
- 1) 36" x 36" - Conseal CS-102 1.00" 0 lb
- 2) Hole - 24" 0 lb
- Structure Total: 4032 lb**



Position	Elev	Angle	Pipe	Pipe OD	Hole	Connector	Up (L)	Ref
Rim	702.95'							
Reducer								
Invert 1	699.29'	0°	18" HDPE	21.2"	24"	Hole 24	-1.6"	P1
Invert 2	699.29'	180°	18" HDPE	21.2"	24"	Hole 24	-1.6"	P1
Invert 3								
Invert 4								
Invert 5								
Invert 6								
Invert 7								
Invert 8								



**Cast (Int. Dim.) - Interior Dimensions**



Submittal Drawing  
 12/9/2025 11:10:43 AM

SUBMITTAL  
 APPROVED BY: