

**Job Name: 25-4337 - Maywood Phase13**  
**Job Location: Bardstown, KY**  
**Contractor: Buzick Construction**

PC: C. Goff  
 TECH: J. Horsley - F  
 Plant: 100



Structure ID: C1  
 Spec: Sanitary  
 Type: SAN.MH  
 Size: 48"

Rim: 703.49'  
 Invert: 695.67'  
 Rim to Invert: 7.82'

Sump: 2"  
 Floor (Top): 695.503'  
 Floor Height: 6"

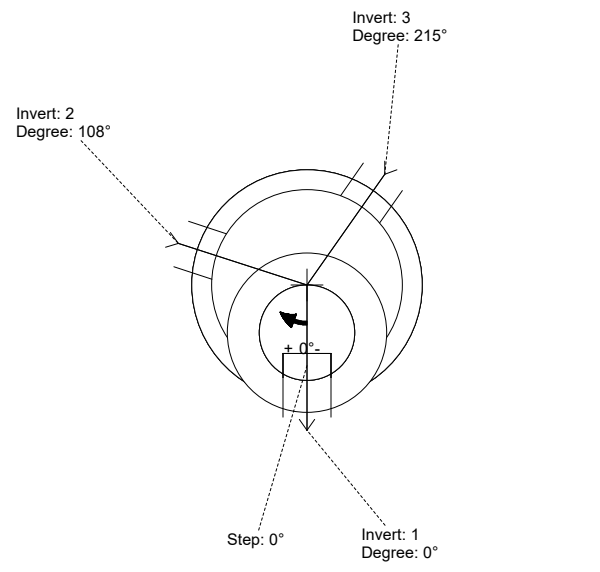
Floor (Bot): 695.003'  
 Overall Height: 8.417'  
 Slack: 0.84"

**Structure Notes:**  
 1. PER ASTM C478 SPECIFICATIONS.  
 2. CONCRETE = 4,000 PSI AT 28 DAYS.  
 3. CASTING SUPPLIED BY OTHERS (HOE MC-350 F/C SANITARY).

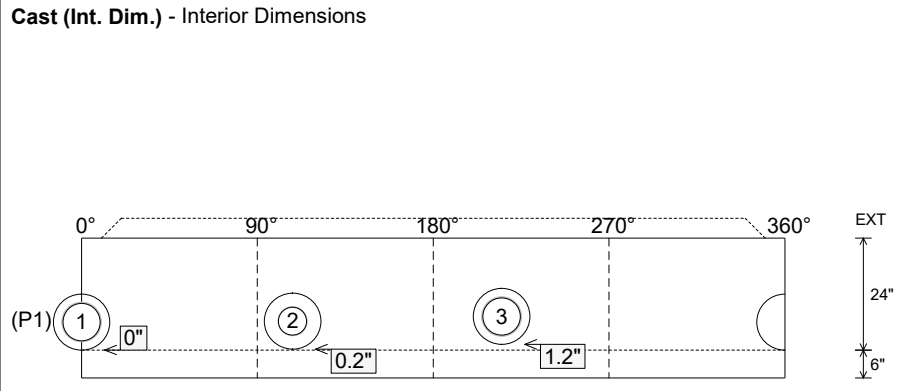
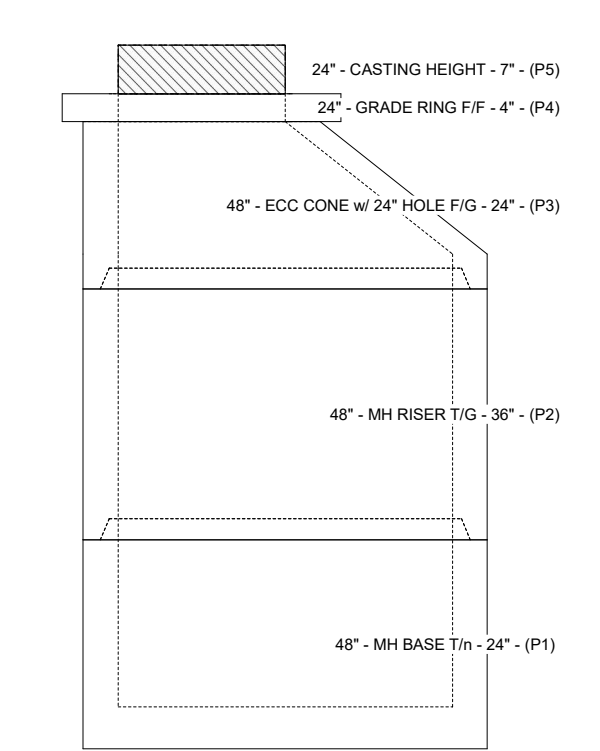
REINFORCING PER ASTM A615 (GRADE 60).  
 - CONE (As .12)  
 - RISER/WALLS (As .12)  
 - FLOOR (As .31) #5 BARS AT 12" C.C.E.W.

**STRUCTURE SUMMARY:**

P5) 24" - CASTING HEIGHT - 7"	0 lb
P4) 24" - GRADE RING F/F - 4"	270 lb
P3) 48" - ECC CONE w/ 24" HOLE F/G - 24"	1550 lb
P2) 48" - MH RISER T/G - 36"	2515 lb
P1) 48" - MH BASE T/n - 24"	2863 lb
1) JOINT WRAP - 0.065"x6"x50' CONSEAL CS212	0 lb
1) JOINT WRAP PRIMER - CONSEAL CS-75 (1 gal.)	0 lb
1) 48" - MH INVERT CHANNEL - FULL HEIGHT	1440 lb
2) 48" - Conseal CS-102 1.00" (Double)	0 lb
2) PSX - 12-08 NYLO	16 lb
1) PSX - 12-06 NYLO	8 lb
6) MH Step ML-10-TDS-NCR - 10"	0 lb
<b>Structure Total:</b>	<b>8662 lb</b>



Position	Elev	Angle	Pipe	Pipe OD	Hole	Connector	Up (")	Ref
Rim	703.49'							
Reducer								
Invert 1	695.67'	0°	8" PVC SDR35	8.5"	12"	PSX 12-08 NYLO	0"	P1
Invert 2	695.77'	108°	6" PVC SDR35	6.25"	12"	PSX 12-06 NYLO	0.2"	P1
Invert 3	695.77'	215°	8" PVC SDR35	8.5"	12"	PSX 12-08 NYLO	1.2"	P1
Invert 4								
Invert 5								
Invert 6								
Invert 7								
Invert 8								



Submittal Drawing  
 12/9/2025 11:10:31 AM

SUBMITTAL  
 APPROVED BY: