

Job Name: 25-4337 - Maywood Phase13
Job Location: Bardstown, KY
Contractor: Buzick Construction

PC: C. Goff
 TECH: J. Horsley - F
 Plant: 100



Structure ID: **B1**
 Spec: Sanitary
 Type: SAN.MH
 Size: 48"

Rim: 706.64'
 Invert: 697.97'
 Rim to Invert: 8.67'

Sump: 2"
 Floor (Top): 697.803'
 Floor Height: 6"

Floor (Bot): 697.303'
 Overall Height: 9.333'
 Slack: 0.04"

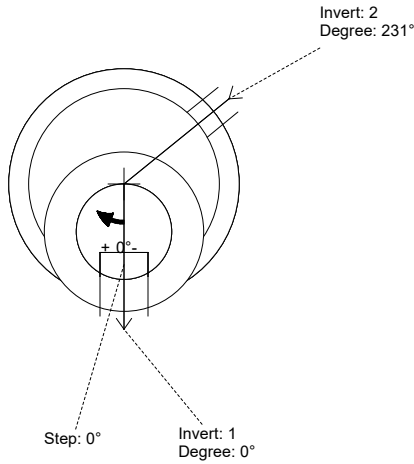
Structure Notes:

- PER ASTM C478 SPECIFICATIONS.
- CONCRETE = 4,000 PSI AT 28 DAYS.
- CASTING SUPPLIED BY OTHERS (HOE MC-350 F/C SANITARY).

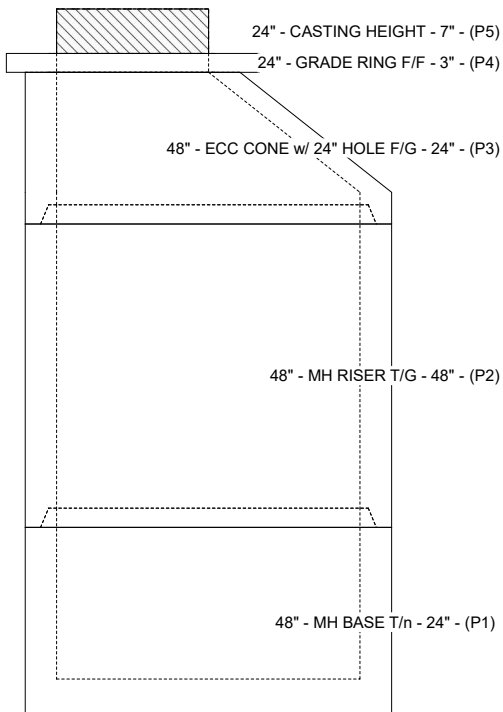
REINFORCING PER ASTM A615 (GRADE 60).
 - CONE (As .12)
 - RISER/WALLS (As .12)
 - FLOOR (As .31) #5 BARS AT 12" C.C.E.W.

STRUCTURE SUMMARY:

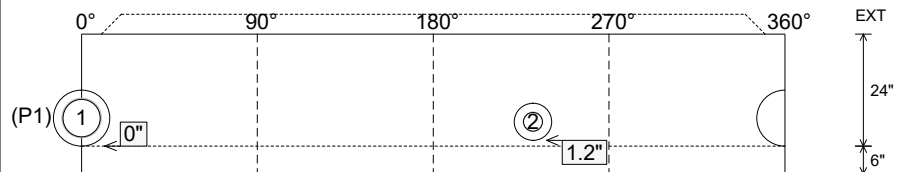
| | |
|---|----------------|
| P5) 24" - CASTING HEIGHT - 7" | 0 lb |
| P4) 24" - GRADE RING F/F - 3" | 202 lb |
| P3) 48" - ECC CONE w/ 24" HOLE F/G - 24" | 1550 lb |
| P2) 48" - MH RISER T/G - 48" | 3353 lb |
| P1) 48" - MH BASE T/n - 24" | 2938 lb |
| 1) JOINT WRAP - 0.065"x6"x50' CONSEAL CS212 | 0 lb |
| 1) JOINT WRAP PRIMER - CONSEAL CS-75 (1 gal.) | 0 lb |
| 1) 48" - MH INVERT CHANNEL - FULL HEIGHT | 1440 lb |
| 2) 48" - Conseal CS-102 1.00" (Double) | 0 lb |
| 1) PSX - 12-08 NYLO | 8 lb |
| 1) PSX - 8QRS-S NYLO | 6 lb |
| 7) MH Step ML-10-TDS-NCR - 10" | 0 lb |
| Structure Total: | 9498 lb |



| Position | Elev | Angle | Pipe | Pipe OD | Hole | Connector | Up (") | Ref |
|----------|---------|-------|--------------|---------|------|-----------------|--------|-----|
| Rim | 706.64' | | | | | | | |
| Reducer | | | | | | | | |
| Invert 1 | 697.97' | 0° | 8" PVC SDR35 | 8.5" | 12" | PSX 12-08 NYLO | 0" | P1 |
| Invert 2 | 698.07' | 231° | 4" PVC SDR35 | 4.25" | 8" | PSX 8QRS-S NYLO | 1.2" | P1 |
| Invert 3 | | | | | | | | |
| Invert 4 | | | | | | | | |
| Invert 5 | | | | | | | | |
| Invert 6 | | | | | | | | |
| Invert 7 | | | | | | | | |
| Invert 8 | | | | | | | | |



Cast (Int. Dim.) - Interior Dimensions



Submittal Drawing
 12/9/2025 11:10:30 AM

SUBMITTAL
 APPROVED BY: