

Job Name: 25-4337 - Maywood Phase13  
 Job Location: Bardstown, KY  
 Contractor: Buzick Construction

Plant: 100

12/9/2025 11:29:26 AM

Tech: J. Horsley - F

PC: C. Goff



**Structure ID: A9**

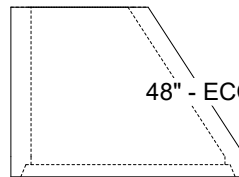
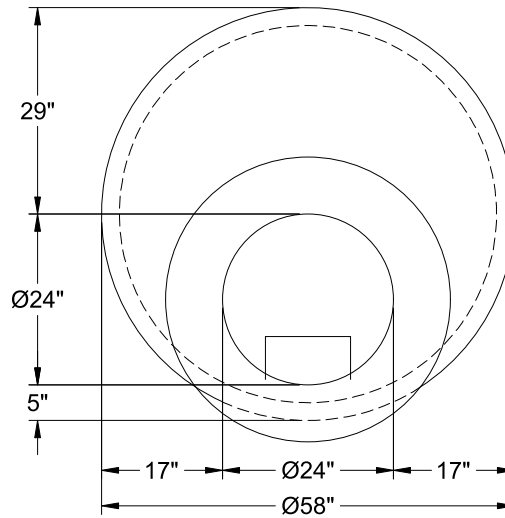
**P3 MH048CN42**

**ECC CONE w/ 24" HOLE F/G**

- P5) 24" - CASTING HEIGHT - 7"
- P4) 24" - GRADE RING F/F - 4"
- P3) 48" - ECC CONE w/ 24" HOLE F/G - 42"
- P2) 48" - MH RISER T/G - 36"
- P1) 48" - MH BASE T/n - 30"
- 1) JOINT WRAP - 0.065"x6"x50' CONSEAL CS212
- 1) JOINT WRAP PRIMER - CONSEAL CS-75 (1 gal.)
- 1) 48" - MH INVERT CHANNEL - FULL HEIGHT
- 2) 48" - Conseal CS-102 1.00" (Double)
- 3) PSX - 12-08 NYLO
- 9) MH Step ML-10-TDS-NCR - 10"

0 lb  
 270 lb  
 3200 lb  
 2515 lb  
 3282 lb  
 0 lb  
 0 lb  
 1440 lb  
 0 lb  
 24 lb  
 0 lb  
 -----  
 Structure Total: 10731 lb

- Structure Notes:
1. PER ASTM C-478 SPECIFICATIONS
  2. CONCRETE: 4,000 PSI AT 28 DAYS
  3. REINFORCEMENT: PER ASTM A615
  4. CASTING SUPPLIED BY OTHERS (HOE MC-350 FRAME & COVER "SANITARY")



48" - ECC CONE w/ 24" HOLE F/G - 42" - (P3)

Coating (Int):  
 Coating (Ext):

Seam Up: Flat  
 Seam Dn: Groove

Wall Thickness: 5"

Height (Ext): 42"

Weight (Net): 3200 lb  
 Volume (Net): 0.5cu.yd