

**Job Name: 25-4337 - Maywood Phase13**  
**Job Location: Bardstown, KY**  
**Contractor: Buzick Construction**

PC: C. Goff  
 TECH: J. Horsley - F  
 Plant: 100



Structure ID: **A6**  
 Spec: Sanitary  
 Type: SAN.MH  
 Size: 48"

Rim: 702.09'  
 Invert: 691.92'  
 Rim to Invert: 10.17'

Sump: 2"  
 Floor (Top): 691.753'  
 Floor Height: 6"

Floor (Bot): 691.253'  
 Overall Height: 10.833'  
 Slack: 0.04"

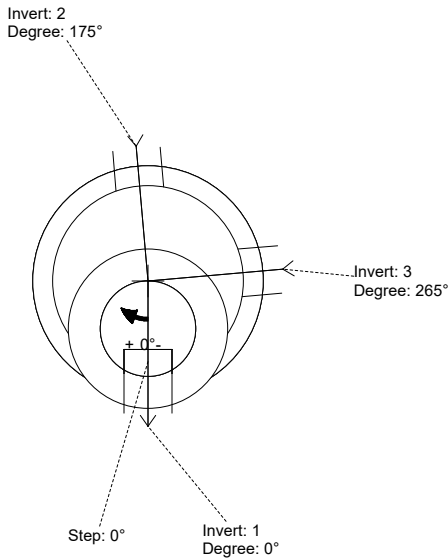
**Structure Notes:**

- PER ASTM C478 SPECIFICATIONS.
- CONCRETE = 4,000 PSI AT 28 DAYS.
- CASTING SUPPLIED BY OTHERS (HOE MC-350 F/C SANITARY).

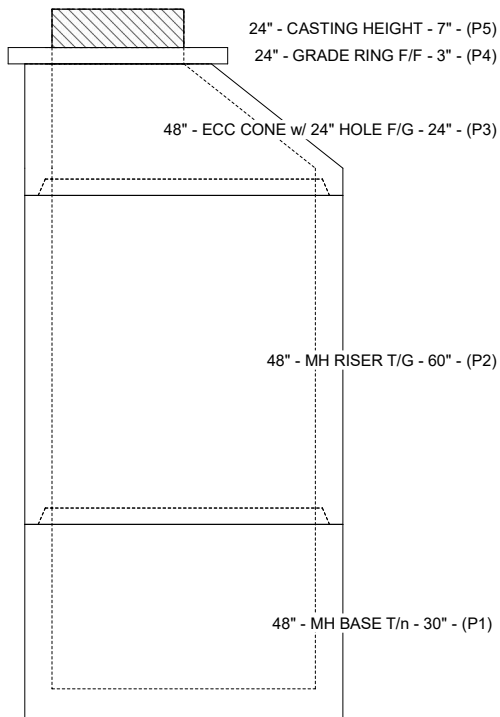
REINFORCING PER ASTM A615 (GRADE 60).  
 - CONE (As .12)  
 - RISER/WALLS (As .12)  
 - FLOOR (As .31) #5 BARS AT 12" C.C.E.W.

**STRUCTURE SUMMARY:**

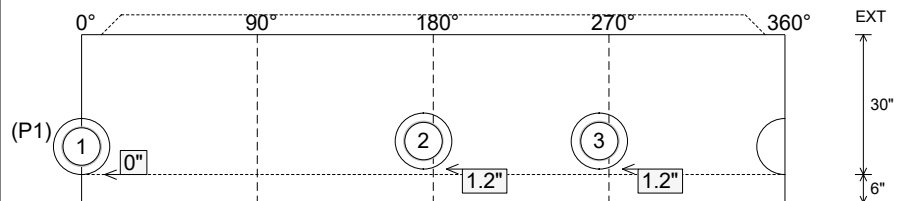
P5) 24" - CASTING HEIGHT - 7"	0 lb
P4) 24" - GRADE RING F/F - 3"	202 lb
P3) 48" - ECC CONE w/ 24" HOLE F/G - 24"	1550 lb
P2) 48" - MH RISER T/G - 60"	4192 lb
P1) 48" - MH BASE T/n - 30"	3282 lb
1) JOINT WRAP - 0.065"x6"x50' CONSEAL CS212	0 lb
1) JOINT WRAP PRIMER - CONSEAL CS-75 (1 gal.)	0 lb
1) 48" - MH INVERT CHANNEL - FULL HEIGHT	1440 lb
2) 48" - Conseal CS-102 1.00" (Double)	0 lb
3) PSX - 12-08 NYLO	24 lb
9) MH Step ML-10-TDS-NCR - 10"	0 lb
<b>Structure Total:</b>	<b>10690 lb</b>



Position	Elev	Angle	Pipe	Pipe OD	Hole	Connector	Up (L)	Ref
Rim	702.09'							
Reducer								
Invert 1	691.92'	0°	8" PVC SDR35	8.5"	12"	PSX 12-08 NYLO	0"	P1
Invert 2	692.02'	175°	8" PVC SDR35	8.5"	12"	PSX 12-08 NYLO	1.2"	P1
Invert 3	692.02'	265°	8" PVC SDR35	8.5"	12"	PSX 12-08 NYLO	1.2"	P1
Invert 4								
Invert 5								
Invert 6								
Invert 7								
Invert 8								



**Cast (Int. Dim.) - Interior Dimensions**



Submittal Drawing  
 12/9/2025 11:10:27 AM

SUBMITTAL  
 APPROVED BY: