

Job Name: 25-4337 - Maywood Phase13
Job Location: Bardstown, KY
Contractor: Buzick Construction

PC: C. Goff
 TECH: J. Horsley - F
 Plant: 100



Structure ID: **A3**
 Spec: Sanitary
 Type: SAN.MH
 Size: 48"

Rim: 693'
 Invert: 686.71'
 Rim to Invert: 6.29'

Sump: 2"
 Floor (Top): 686.543'
 Floor Height: 6"

Floor (Bot): 686.043'
 Overall Height: 6.917'
 Slack: 0.48"

Structure Notes:

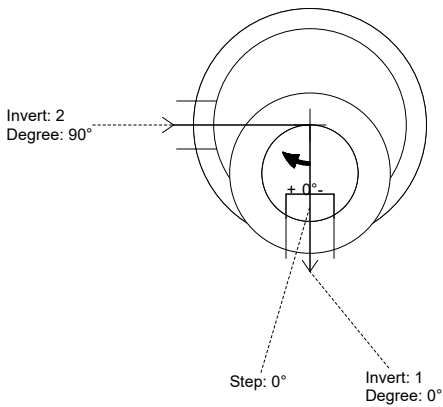
1. PER ASTM C478 SPECIFICATIONS.
2. CONCRETE = 4,000 PSI AT 28 DAYS.
3. CASTING SUPPLIED BY OTHERS (HOE MC-350 F/C SANITARY).

REINFORCING PER ASTM A615 (GRADE 60).

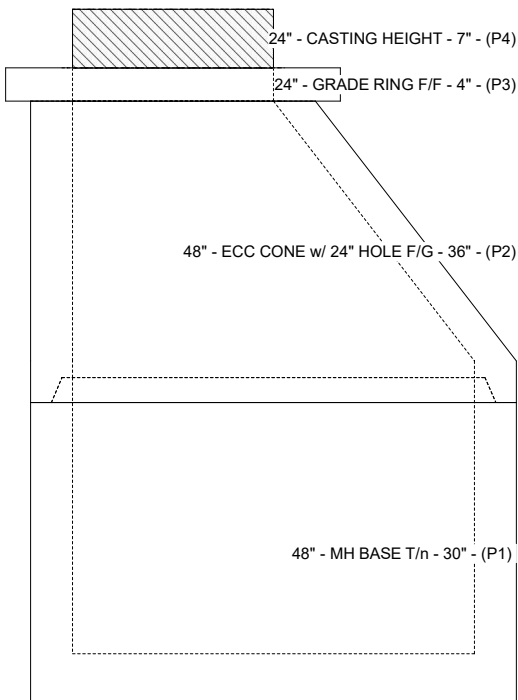
- CONE (As .12)
- RISER/WALLS (As .12)
- FLOOR (As .31) #5 BARS AT 12" C.C.E.W.

STRUCTURE SUMMARY:

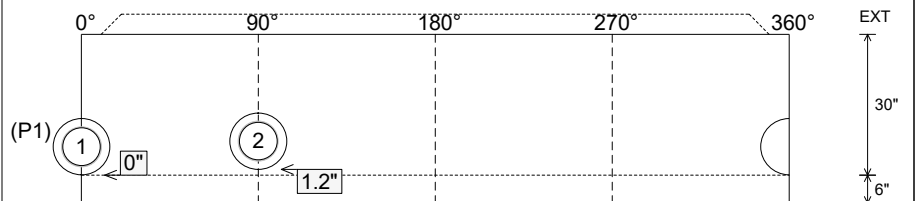
P4) 24" - CASTING HEIGHT - 7"	0 lb
P3) 24" - GRADE RING F/F - 4"	270 lb
P2) 48" - ECC CONE w/ 24" HOLE F/G - 36"	3000 lb
P1) 48" - MH BASE T/n - 30"	3330 lb
1) JOINT WRAP - 0.065"x6"x50' CONSEAL CS212	0 lb
1) JOINT WRAP PRIMER - CONSEAL CS-75 (1 gal.)	0 lb
1) 48" - MH INVERT CHANNEL - FULL HEIGHT	1440 lb
1) 48" - Conseal CS-102 1.00" (Double)	0 lb
2) PSX - 12-08 NYLO	16 lb
5) MH Step ML-10-TDS-NCR - 10"	0 lb
Structure Total:	8056 lb



Position	Elev	Angle	Pipe	Pipe OD	Hole	Connector	Up (L)	Ref
Rim	693'							
Reducer								
Invert 1	686.71'	0°	8" PVC SDR35	8.5"	12"	PSX 12-08 NYLO	0"	P1
Invert 2	686.81'	90°	8" PVC SDR35	8.5"	12"	PSX 12-08 NYLO	1.2"	P1
Invert 3								
Invert 4								
Invert 5								
Invert 6								
Invert 7								
Invert 8								



Cast (Int. Dim.) - Interior Dimensions



Submittal Drawing
 12/5/2025 1:28:31 PM

SUBMITTAL
 APPROVED BY: