

Job Name: 25-4337 - Maywood Phase13
Job Location: Bardstown, KY
Contractor: Buzick Construction

PC: C. Goff
 TECH: J. Horsley - F
 Plant: 100



Structure ID: **A10**
 Spec: Sanitary
 Type: SAN.MH
 Size: 48"

Rim: 705.11'
 Invert: 698.33'
 Rim to Invert: 6.78'

Sump: 2"
 Floor (Top): 698.163'
 Floor Height: 6"

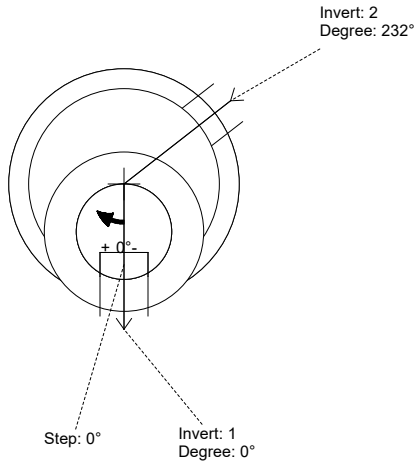
Floor (Bot): 697.663'
 Overall Height: 7.417'
 Slack: 0.36"

Structure Notes:
 1. PER ASTM C478 SPECIFICATIONS.
 2. CONCRETE = 4,000 PSI AT 28 DAYS.
 3. CASTING SUPPLIED BY OTHERS (HOE MC-350 F/C SANITARY).

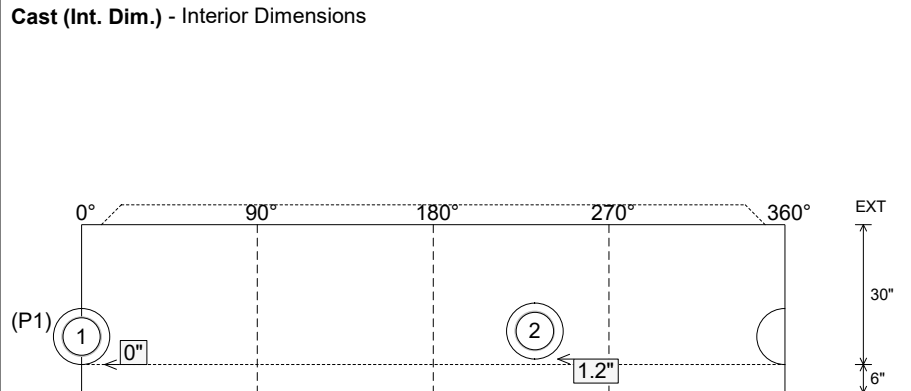
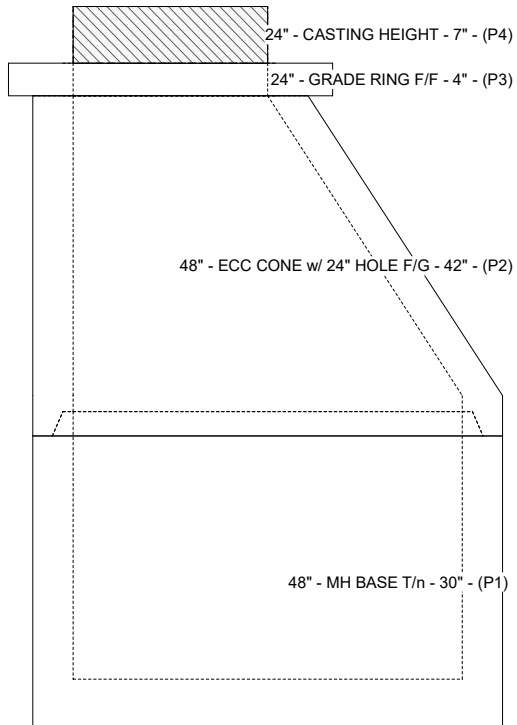
REINFORCING PER ASTM A615 (GRADE 60).
 - CONE (As .12)
 - RISER/WALLS (As .12)
 - FLOOR (As .31) #5 BARS AT 12" C.C.E.W.

STRUCTURE SUMMARY:

| | |
|---|----------------|
| P4) 24" - CASTING HEIGHT - 7" | 0 lb |
| P3) 24" - GRADE RING F/F - 4" | 270 lb |
| P2) 48" - ECC CONE w/ 24" HOLE F/G - 42" | 3200 lb |
| P1) 48" - MH BASE T/n - 30" | 3330 lb |
| 1) JOINT WRAP - 0.065"x6"x50' CONSEAL CS212 | 0 lb |
| 1) JOINT WRAP PRIMER - CONSEAL CS-75 (1 gal.) | 0 lb |
| 1) 48" - MH INVERT CHANNEL - FULL HEIGHT | 1440 lb |
| 1) 48" - Conseal CS-102 1.00" (Double) | 0 lb |
| 2) PSX - 12-08 NYLO | 16 lb |
| 6) MH Step ML-10-TDS-NCR - 10" | 0 lb |
| Structure Total: | 8256 lb |



| Position | Elev | Angle | Pipe | Pipe OD | Hole | Connector | Up (L) | Ref |
|----------|---------|-------|--------------|---------|------|----------------|--------|-----|
| Rim | 705.11' | | | | | | | |
| Reducer | | | | | | | | |
| Invert 1 | 698.33' | 0° | 8" PVC SDR35 | 8.5" | 12" | PSX 12-08 NYLO | 0" | P1 |
| Invert 2 | 698.43' | 232° | 8" PVC SDR35 | 8.5" | 12" | PSX 12-08 NYLO | 1.2" | P1 |
| Invert 3 | | | | | | | | |
| Invert 4 | | | | | | | | |
| Invert 5 | | | | | | | | |
| Invert 6 | | | | | | | | |
| Invert 7 | | | | | | | | |
| Invert 8 | | | | | | | | |



Submittal Drawing
 12/9/2025 11:10:29 AM

SUBMITTAL
 APPROVED BY: