

**Job Name: 25-4337 - Maywood Phase13**  
**Job Location: Bardstown, KY**  
**Contractor: Buzick Construction**

PC: C. Goff  
 TECH: J. Horsley - F  
 Plant: 100



Structure ID: A1  
 Spec: Sanitary  
 Type: SAN.MH  
 Size: 48"

Rim: 684.63'  
 Invert: 678.64'  
 Rim to Invert: 5.99'

Sump: 2"  
 Floor (Top): 678.473'  
 Floor Height: 6"

Floor (Bot): 677.973'  
 Overall Height: 6.583'  
 Slack: 0.88"

**Structure Notes:**

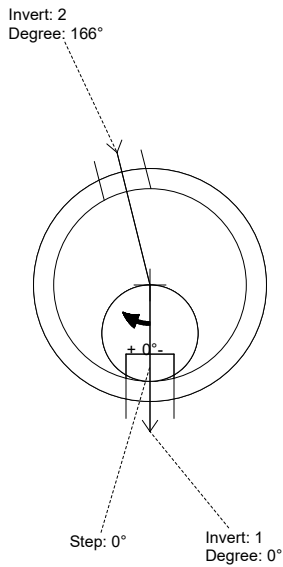
1. PER ASTM C478 SPECIFICATIONS.
2. CONCRETE = 4,000 PSI AT 28 DAYS.
3. CASTING SUPPLIED BY OTHERS (HOE MC-350 F/C SANITARY).

REINFORCING PER ASTM A615 (GRADE 60).

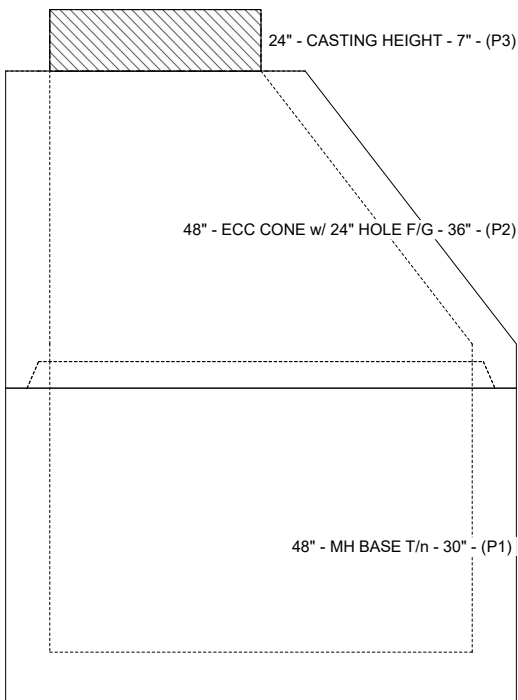
- CONE (As .12)
- RISER/WALLS (As .12)
- FLOOR (As .31) #5 BARS AT 12" C.C.E.W.350

**STRUCTURE SUMMARY:**

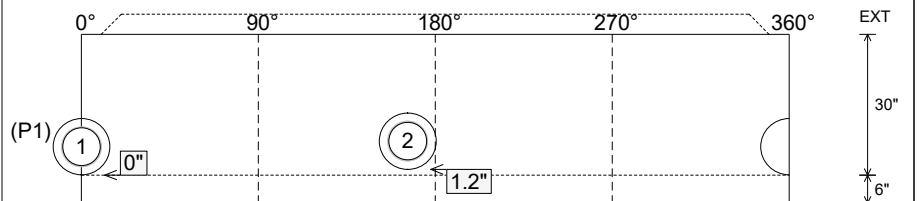
- P3) 24" - CASTING HEIGHT - 7" 0 lb
  - P2) 48" - ECC CONE w/ 24" HOLE F/G - 36" 3000 lb
  - P1) 48" - MH BASE T/n - 30" 3330 lb
  - 1) JOINT WRAP - 0.065"x6"x50' CONSEAL CS212 0 lb
  - 1) JOINT WRAP PRIMER - CONSEAL CS-75 (1 gal.) 0 lb
  - 1) 48" - MH INVERT CHANNEL - FULL HEIGHT 1440 lb
  - 1) 48" - Conseal CS-102 1.00" (Double) 0 lb
  - 2) PSX - 12-08 NYLO 16 lb
  - 5) MH Step ML-10-TDS-NCR - 10" 0 lb
- Structure Total: 7786 lb



Position	Elev	Angle	Pipe	Pipe OD	Hole	Connector	Up (L)	Ref
Rim	684.63'							
Reducer								
Invert 1	678.64'	0°	8" PVC SDR35	8.5"	12"	PSX 12-08 NYLO	0"	P1
Invert 2	678.74'	166°	8" PVC SDR35	8.5"	12"	PSX 12-08 NYLO	1.2"	P1
Invert 3								
Invert 4								
Invert 5								
Invert 6								
Invert 7								
Invert 8								



**Cast (Int. Dim.) - Interior Dimensions**



Submittal Drawing  
 12/5/2025 1:28:29 PM

SUBMITTAL  
 APPROVED BY: