

Job Name: 25-4333 WTP Manholes
Job Location: Clarksville, TN
Contractor: Judy Construction Co.

PC: E. Bradley
 TECH: S. Felletter
 Plant: Beaver Dam



Structure ID: **SSMH 9-5**
 Spec: Sanitary
 Type: SAN.MH w/Ext. Drop/ConBlock-CDA Red
 Size: 48"

Rim: 508.1'
 Invert: 496.7'
 Rim to Invert: 11.4'

Sump: 2"
 Floor (Top): 496.533'
 Floor Height: 8"

Floor (Bot): 495.867'
 Overall Height: 12.167'
 Slack: 0.8"

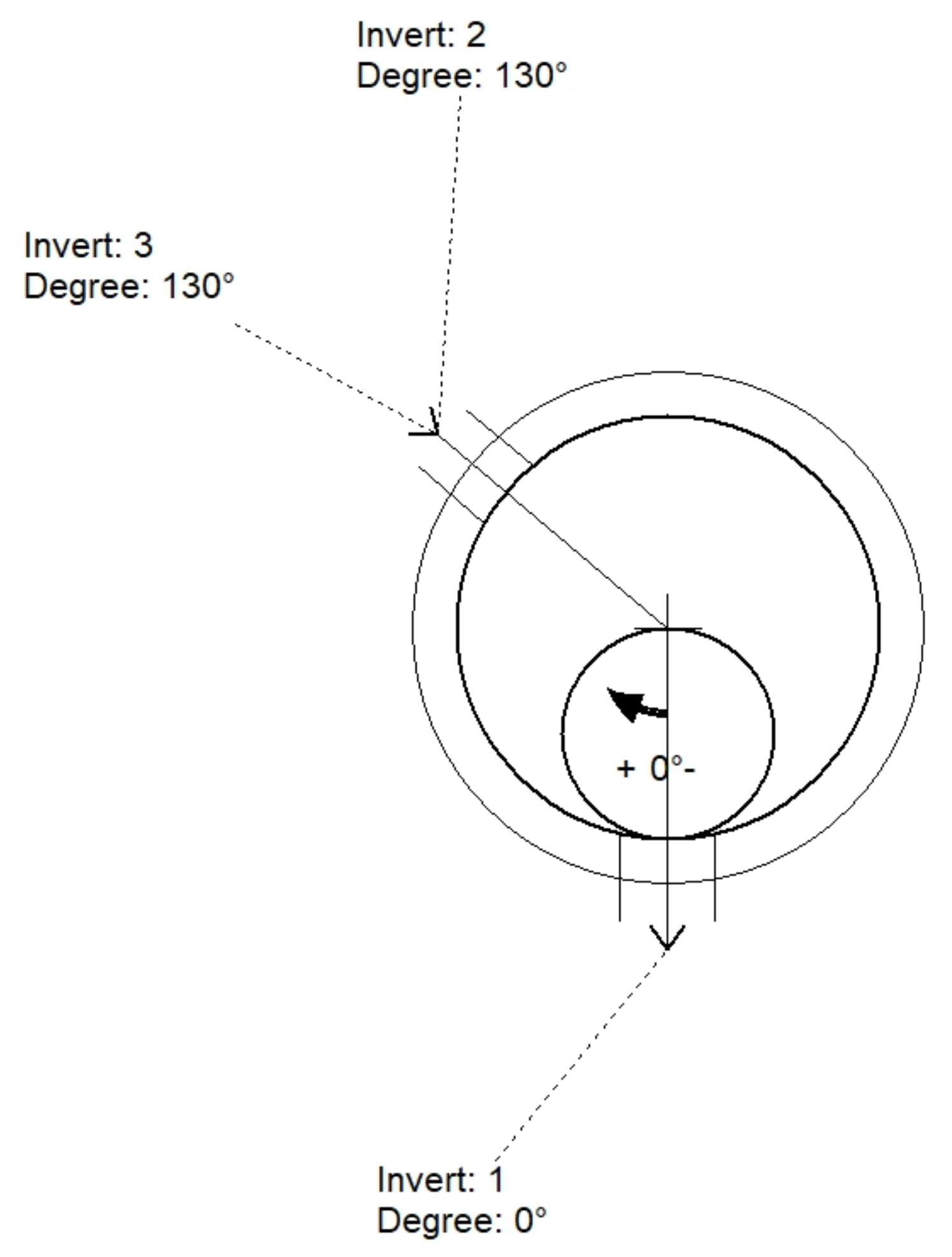
Structure Notes:

1. PER ASTM C478 SPECIFICATIONS.
2. CONCRETE = 4,000 PSI AT 28 DAYS.
3. CASTING JBS 1150 F/C SANITARY PROVIDED BY ICAST.
4. EXTERIOR DROP ASSEMBLY @ 130.

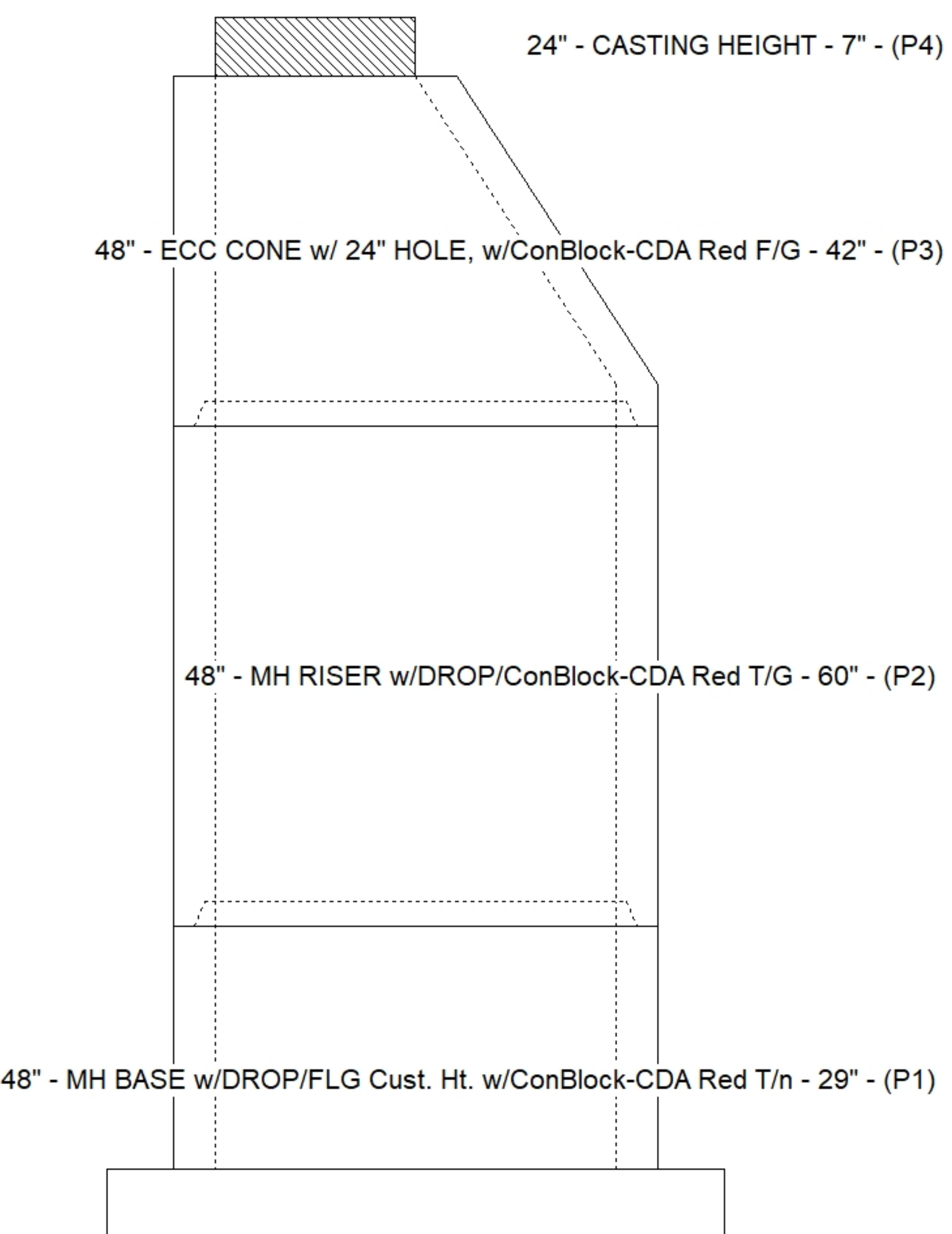
REINFORCING PER ASTM A615 (GRADE 60).
 - CONE (As .12)
 - RISER/WALLS (As .12)
 - FLOOR (As .31) #5 BARS AT 12" C.C.E.W.

STRUCTURE SUMMARY:

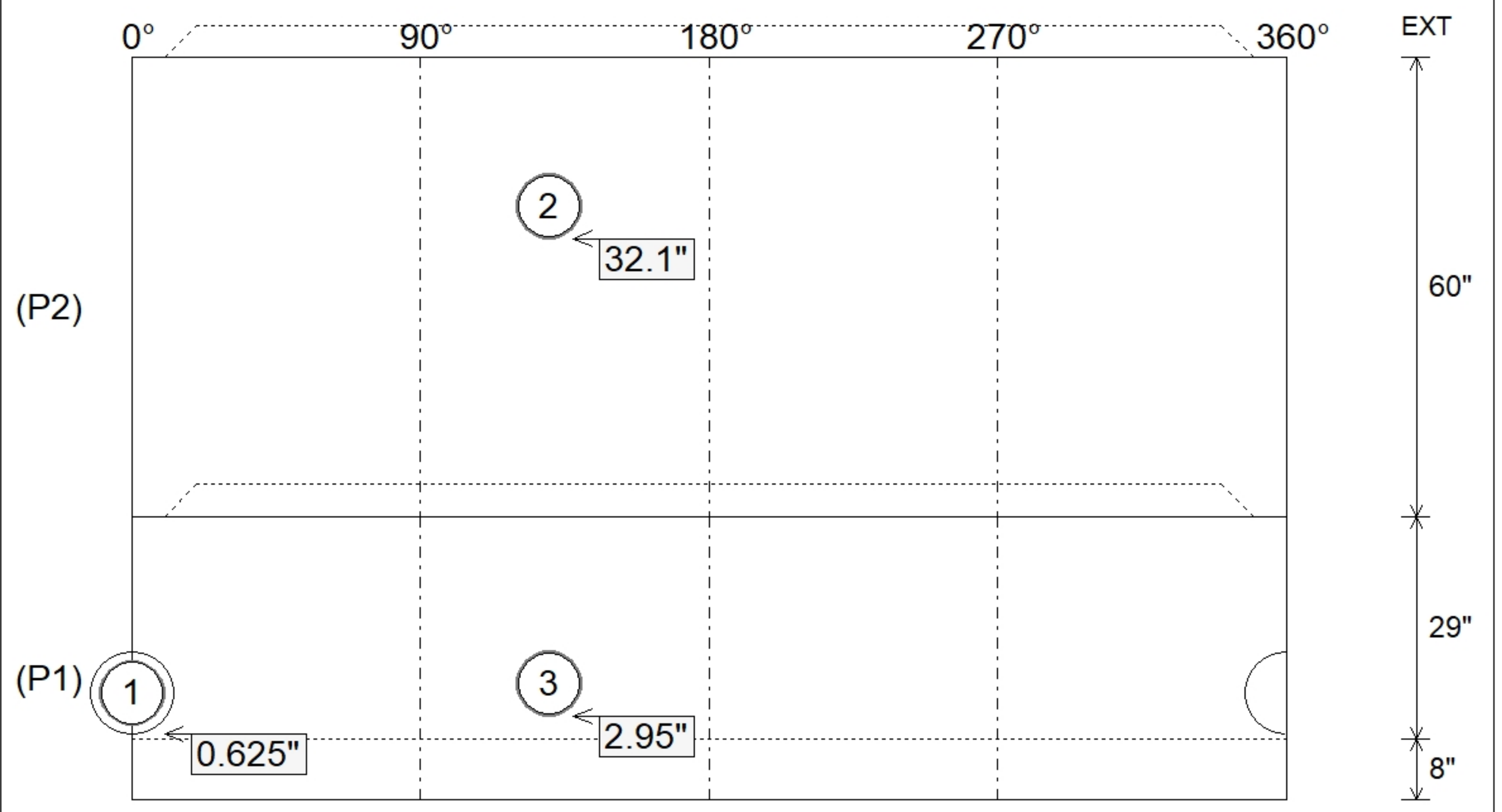
P4) 24" - CASTING HEIGHT - 7"	0 lb
P3) 48" - ECC CONE w/ 24" HOLE, w/ConBlock-CDA Red F/G - 42"	3116 lb
P2) 48" - MH RISER w/DROP/ConBlock-CDA Red T/G - 60"	4168 lb
P1) 48" - MH BASE w/DROP/FLG Cust. Ht. w/ConBlock-CDA Red T/n - 29"	5920 lb
1) JOINT WRAP - 0.065"x6"x50' CONSEAL CS212	0 lb
1) JOINT WRAP PRIMER - CONSEAL CS-75 (1 gal.)	0 lb
1) ADMIXTURE CONBLOCK CDA RED	0 lb
1) 48" - MH INVERT CHANNEL w/ConBlock-CDA Red - FULL HEIGHT	1440 lb
1) Conseal CS-102 1.00" (Single)	0 lb
1) CASTING - JBS 1150 F/C SANITARY	250 lb
2) 48" - Hamilton Kent MH Gasket	0 lb
1) Quik-Lok - QL-08-C	1 lb
1) Drop Tee - 8" PVC	0 lb
1) Drop Elbow - 8" PVC	0 lb
Structure Total:	14895 lb



Position	Elev	Angle	Pipe	Pipe OD	Hole	Connector	Up (")	Ref
Rim	508.1'							
Reducer								
Invert 1	496.7'	0°	8" PVC SDR26	8.5"	10.75"	Quik-Lok QL-08-C	0.625"	P1
Invert 2	502'	130°	8" PVC SDR35	8.5"	8.5"	Drop Tee 8" PVC	32.1"	P2
Invert 3	496.8'	130°	8" PVC SDR35	8.5"	8.5"	Drop Elbow 8" PVC	2.95"	P1
Invert 4								
Invert 5								
Invert 6								
Invert 7								
Invert 8								



Default - Interior Dimensions



Submittal Drawing
 2/16/2026 8:18:21 AM

SUBMITTAL
 APPROVED BY: