

**Job Name: 25-4333 WTP Manholes**  
**Job Location: Clarksville, TN**  
**Contractor: Judy Construction Co.**

PC: E. Bradley  
 TECH: S. Felletter  
 Plant: Beaver Dam



Structure ID: **SSMH 9-4**

Spec: Sanitary  
 Type: SAN.MH w/Ext. Drop/ConBlock-CDA Red  
 Size: 48"

Rim: 490.32'      Sump: 2"      Floor (Bot): 480.157'  
 Invert: 480.99'      Floor (Top): 480.823'      Overall Height: 10.167'  
 Rim to Invert: 9.33'      Floor Height: 8"      Slack: -0.04"

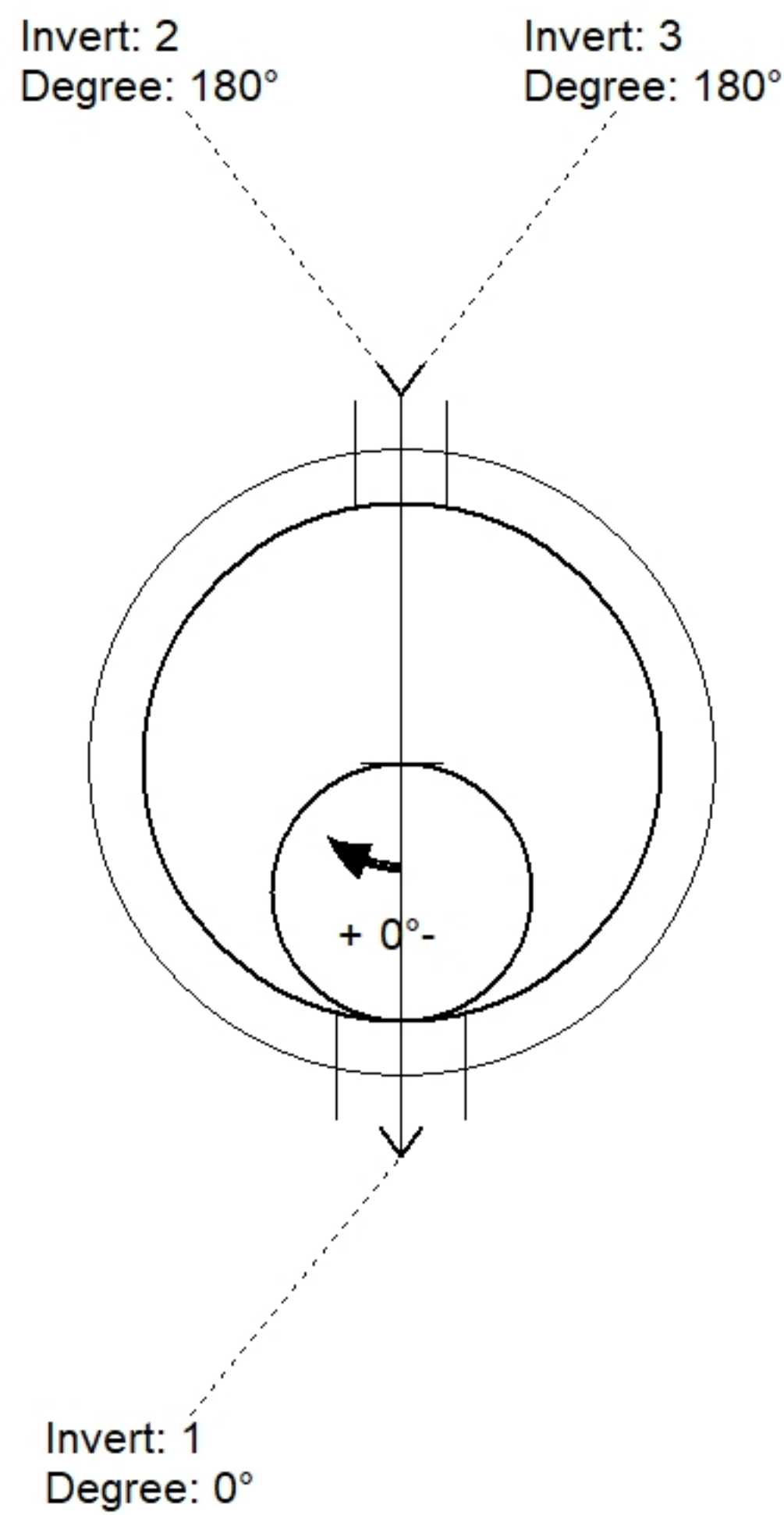
**Structure Notes:**

- PER ASTM C478 SPECIFICATIONS.
- CONCRETE = 4,000 PSI AT 28 DAYS.
- CASTING JBS 1150 F/C SANITARY PROVIDED BY ICAST.
- EXTERIOR DROP ASSEMBLY @ 180.

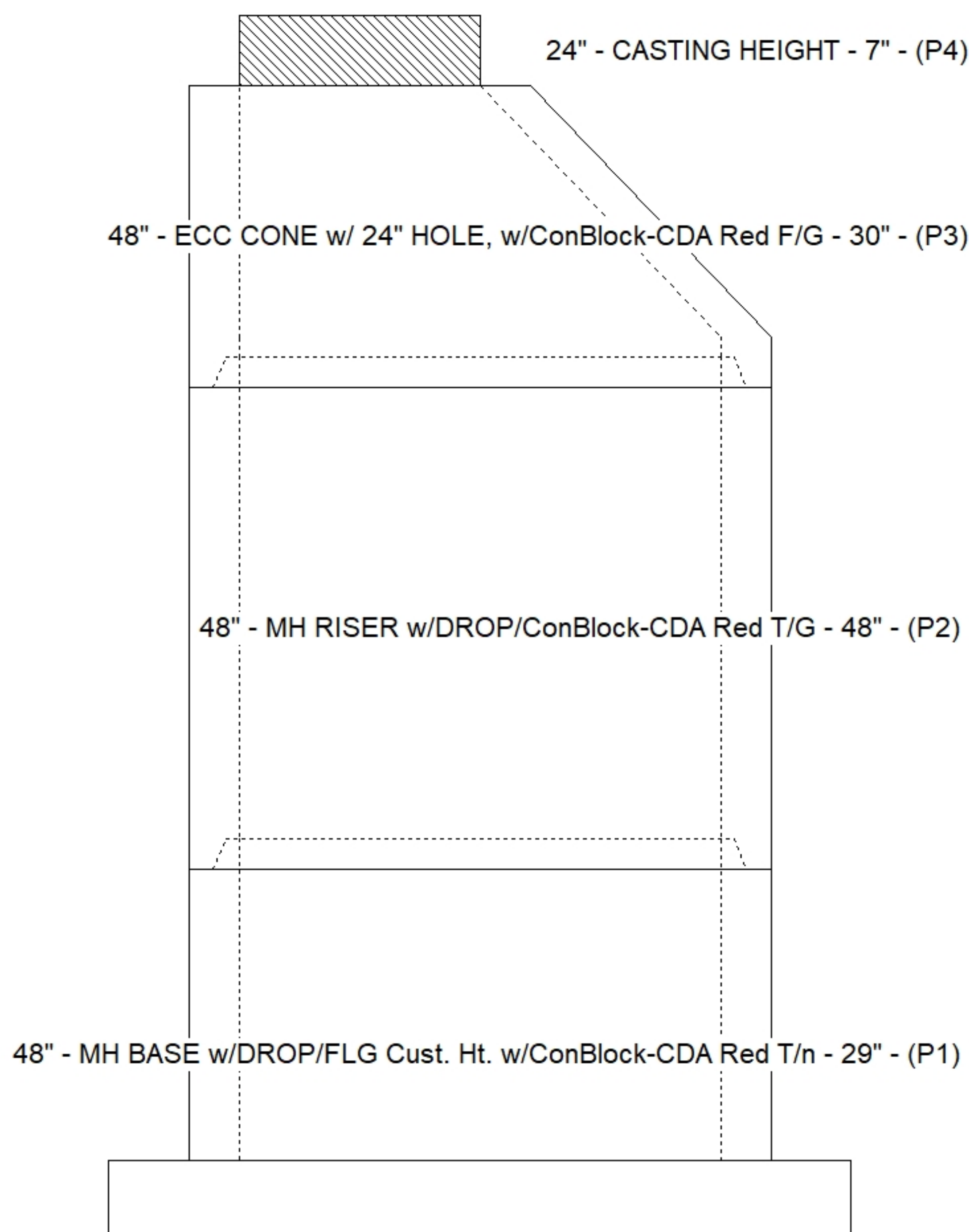
REINFORCING PER ASTM A615 (GRADE 60).  
 - CONE (As .12)  
 - RISER/WALLS (As .12)  
 - FLOOR (As .31) #5 BARS AT 12" C.C.E.W.

**STRUCTURE SUMMARY:**

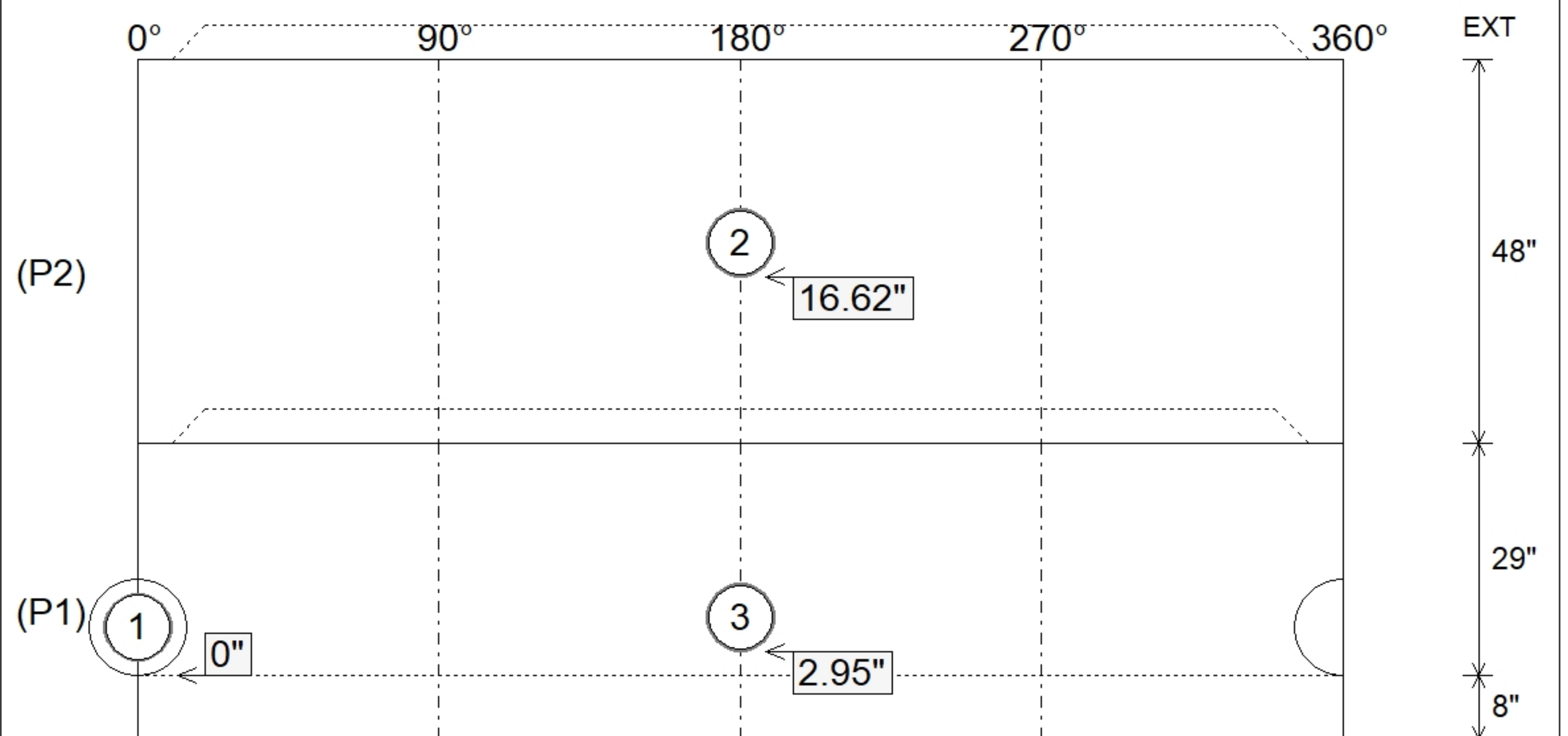
P4) 24" - CASTING HEIGHT - 7"	0 lb
P3) 48" - ECC CONE w/ 24" HOLE, w/ConBlock-CDA Red F/G - 30"	1961 lb
P2) 48" - MH RISER w/DROP/ConBlock-CDA Red T/G - 48"	3329 lb
P1) 48" - MH BASE w/DROP/FLG Cust. Ht. w/ConBlock-CDA Red T/n - 29"	5910 lb
1) JOINT WRAP - 0.065"x6"x50' CONSEAL CS212	0 lb
1) JOINT WRAP PRIMER - CONSEAL CS-75 (1 gal.)	0 lb
1) ADMIXTURE CONBLOCK CDA RED	0 lb
1) 48" - MH INVERT CHANNEL w/ConBlock-CDA Red - FULL HEIGHT	1440 lb
1) Conseal CS-102 1.00" (Single)	0 lb
1) CASTING - JBS 1150 F/C SANITARY	250 lb
2) 48" - Hamilton Kent MH Gasket	0 lb
1) PSX - 12-08 NYLO	8 lb
1) Drop Tee - 8" PVC	0 lb
1) Drop Elbow - 8" PVC	0 lb
<b>Structure Total:</b>	<b>12899 lb</b>



Position	Elev	Angle	Pipe	Pipe OD	Hole	Connector	Up (")	Ref
Rim	490.32'							
Reducer								
Invert 1	480.99'	0°	8" PVC SDR35	8.5"	12"	PSX 12-08 NYLO	0"	P1
Invert 2	485'	180°	8" PVC SDR35	8.5"	8.5"	Drop Tee 8" PVC	16.62"	P2
Invert 3	481.09'	180°	8" PVC SDR35	8.5"	8.5"	Drop Elbow 8" PVC	2.95"	P1
Invert 4								
Invert 5								
Invert 6								
Invert 7								
Invert 8								



**Default - Interior Dimensions**



Submittal Drawing  
 2/16/2026 8:18:19 AM

SUBMITTAL  
 APPROVED BY: