

Job Name: 25-4331 - WING 18 RISERS
Job Location: MINNEAPOLIS, MN
Contractor: Contech Engineering Solutions

PC: T. SEKULA
 TECH: J. COPPAGE
 Plant: BEAVER DAM



Structure ID: **3-54331-A**

Spec: Storm-Pipe Centered
 Type: STM.MH
 Size: 36"

Rim: 0'
 Invert: 0'
 Rim to Invert: 0'

Sump: 0"
 Floor (Top): -11.625'
 Floor Height: 0"

Floor (Bot): -11.625'
 Overall Height: 11.625'
 Slack: 0"

Structure Notes:

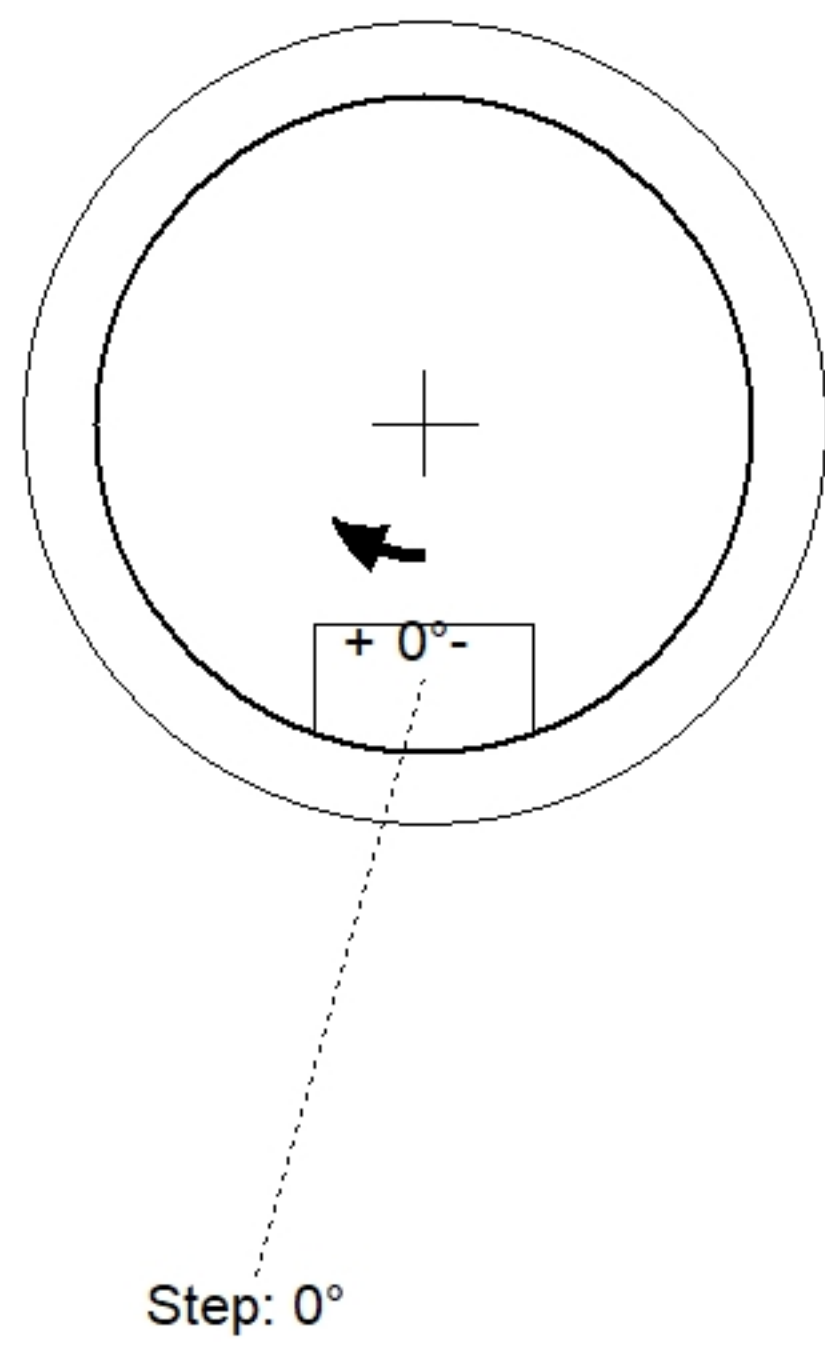
1. PER ASTM C478 SPECIFICATIONS.
2. CONCRETE = 4,000 PSI AT 28 DAYS.
3. REINFORCING PER ASTM A615 (GRADE 60).
 - RISER/WALLS (As .12)

CONTECH'S LOGO MUST BE
 STENCILED ONTO THE STRUCTURE

LIFTING ANCHORS TO BE INSTALLED
 ON THE OUTSIDE OF THE STRUCTURE

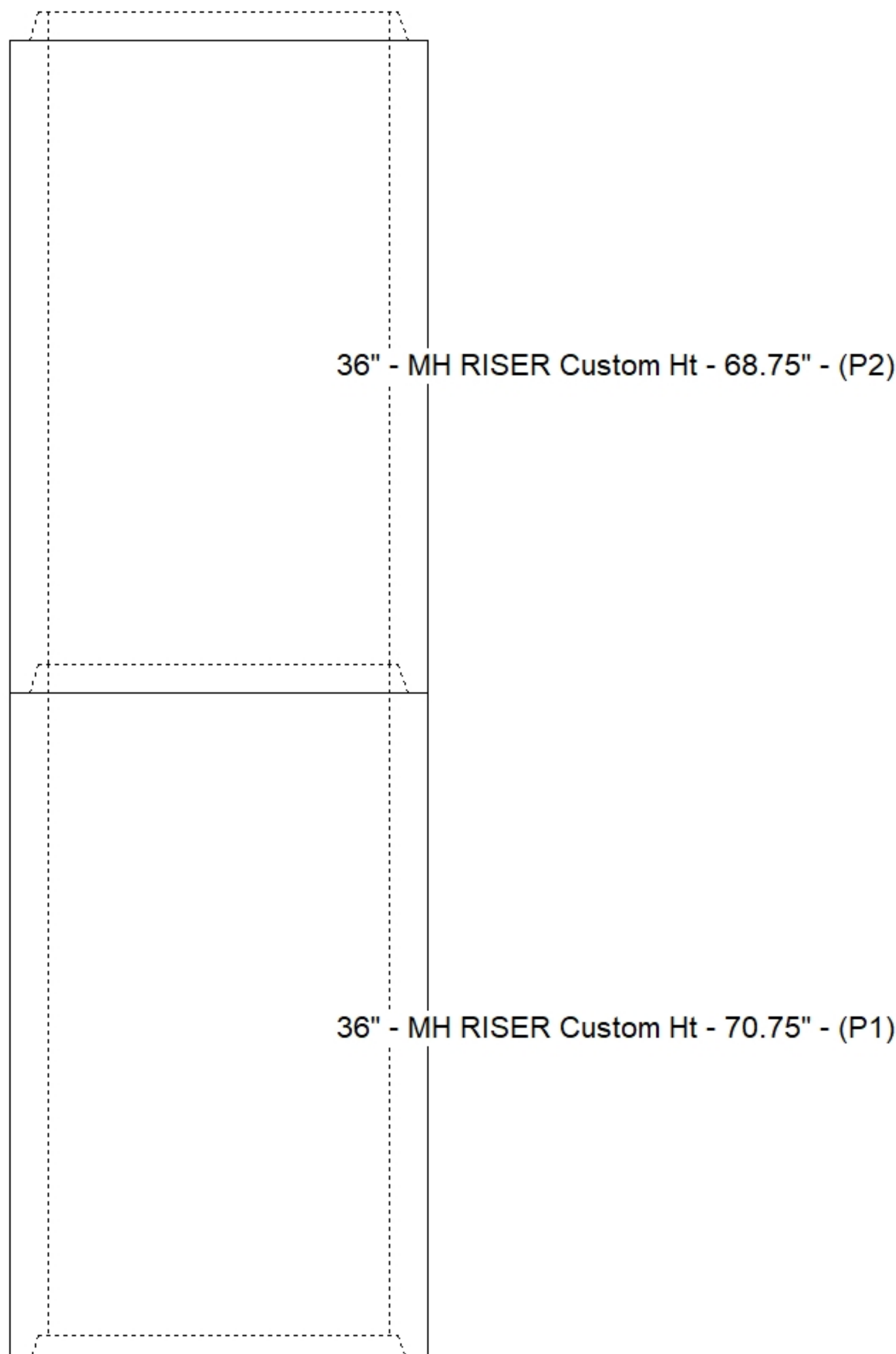
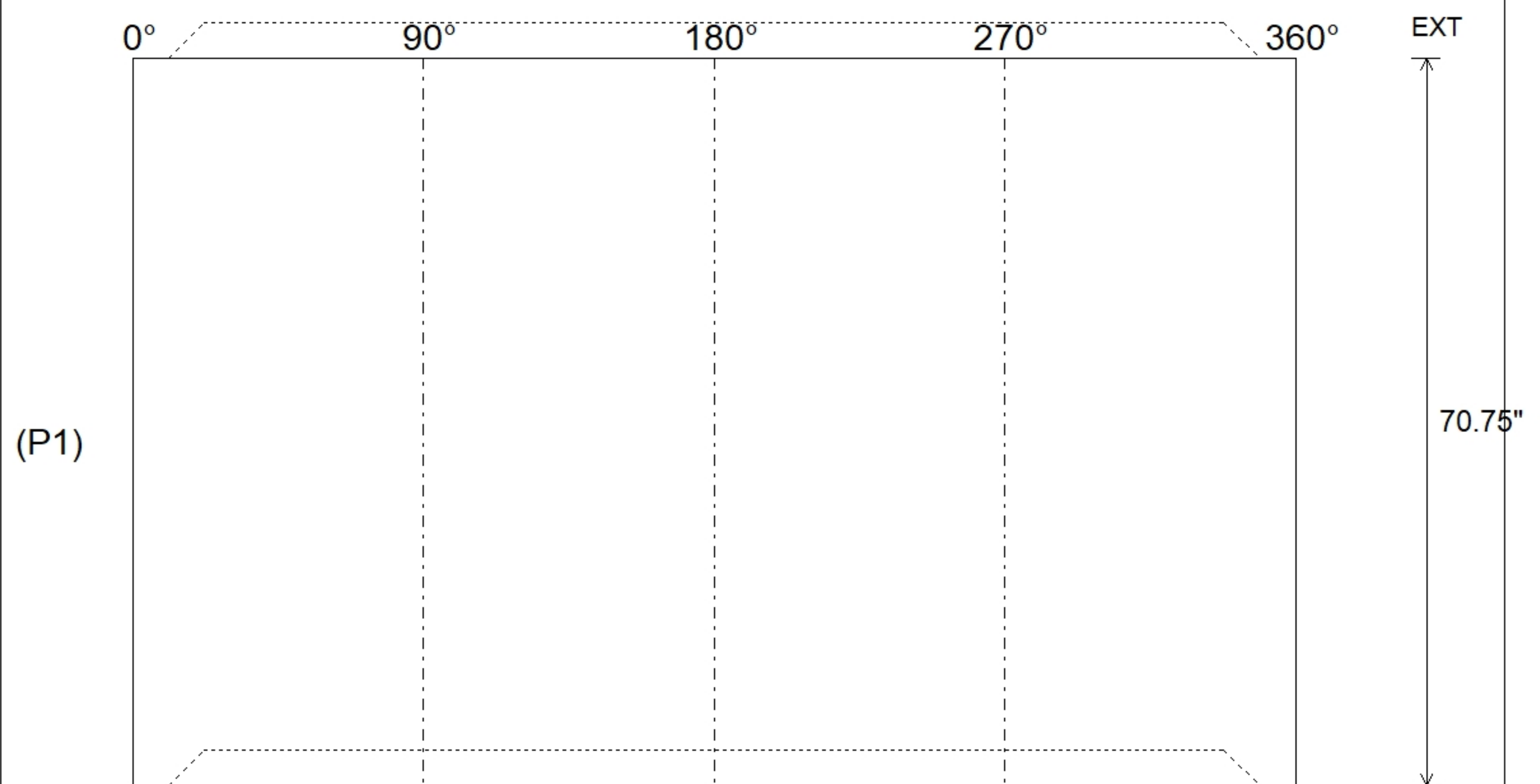
STRUCTURE SUMMARY:

P2) 36" - MH RISER Custom Ht - 68.75"	2900 lb
P1) 36" - MH RISER Custom Ht - 70.75"	2984 lb
2) 36" - Conseal CS-102 1.00"	0 lb
12) MH Step ML-10-TDS-NCR - 10"	0 lb
Structure Total:	5884 lb



Position	Elev	Angle	Pipe	Pipe OD	Hole	Connector	Up ()	Ref
Rim	0'							
Reducer								
Invert 1								
Invert 2								
Invert 3								
Invert 4								
Invert 5								
Invert 6								
Invert 7								
Invert 8								

Default - Interior Dimensions



Submittal Drawing
 11/13/2025 7:47:01 AM

SUBMITTAL
 APPROVED BY: