

Job Name: 25-4329 - 694743 Assumption Greek Orthodox Church
Job Location: Louisville, KY
Contractor: Contech Engineering Solutions

PC: T. Sekula
 TECH: J. Coppage
 Plant: Beaver Dam



Structure ID: **10-CS-4**
 Spec: Storm-Pipe Centered
 Type: STM.MH
 Size: 48"

Rim: 576.5'
 Invert: 572.8'
 Rim to Invert: 3.7'

Sump: 51"
 Floor (Top): 568.55'
 Floor Height: 6"

Floor (Bot): 568.05'
 Overall Height: 8.333'
 Slack: 1.4"

Structure Notes:
 (4" TALL CASTING PROVIDED BY OTHERS)

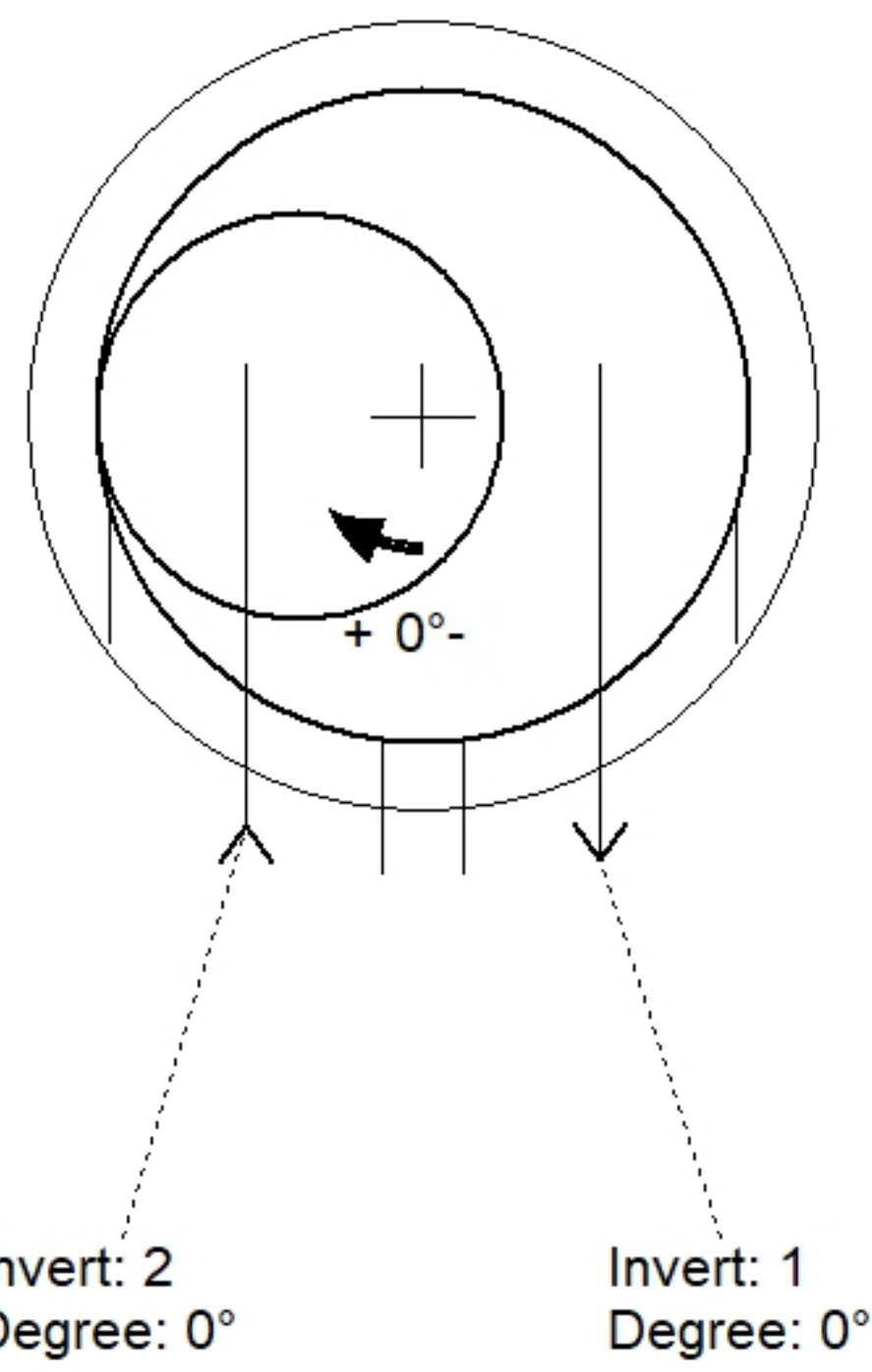
LIFTING ANCHORS TO BE INSTALLED ON THE OUTSIDE OF THE STRUCTURE

ICAST TO INSTALL THE INTERNALS

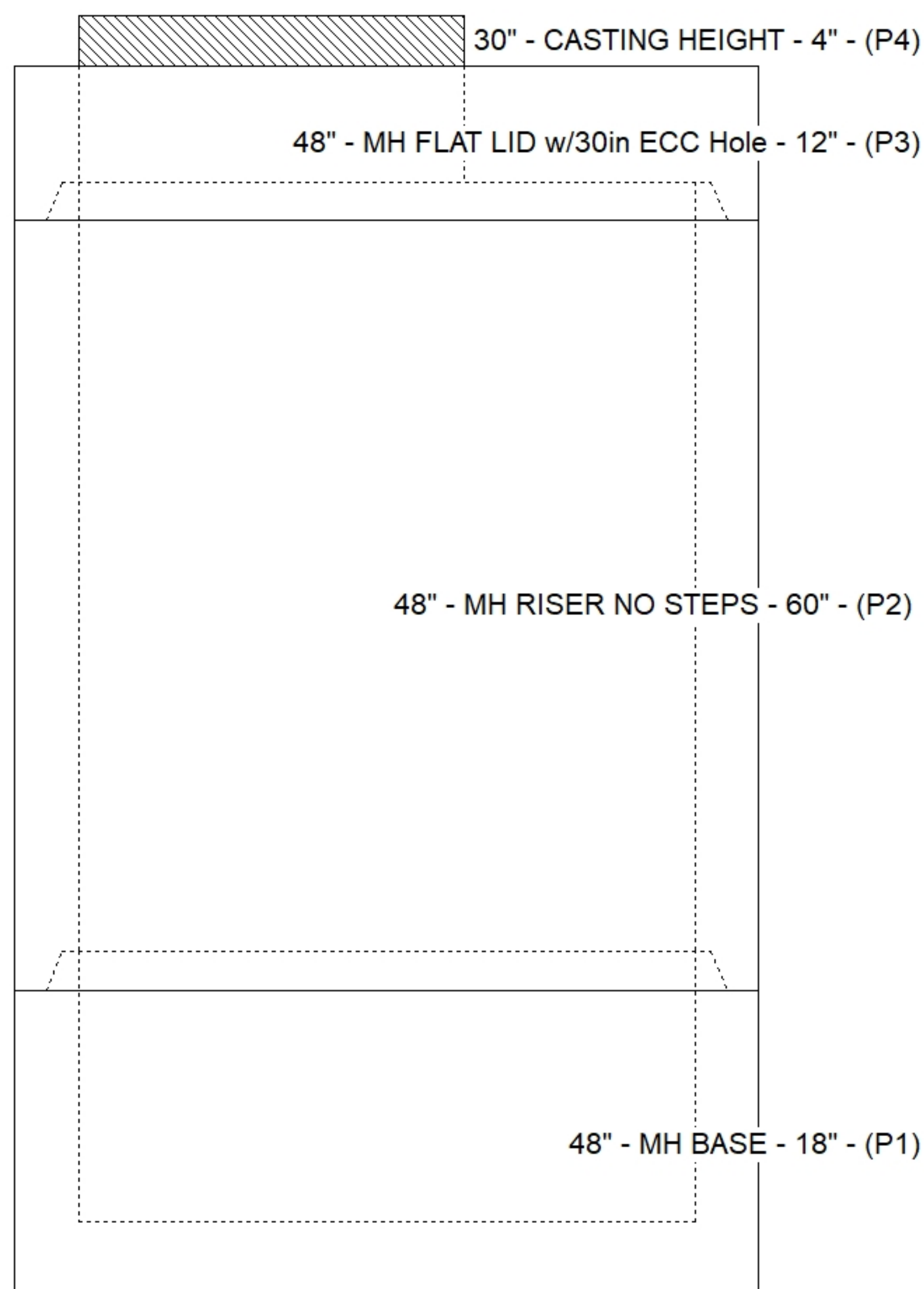
CONTECH'S LOGO AS WELL AS THE INLET AND OUTLET MUST BE STENCILED ONTO THE STRUCTURE

STRUCTURE SUMMARY:

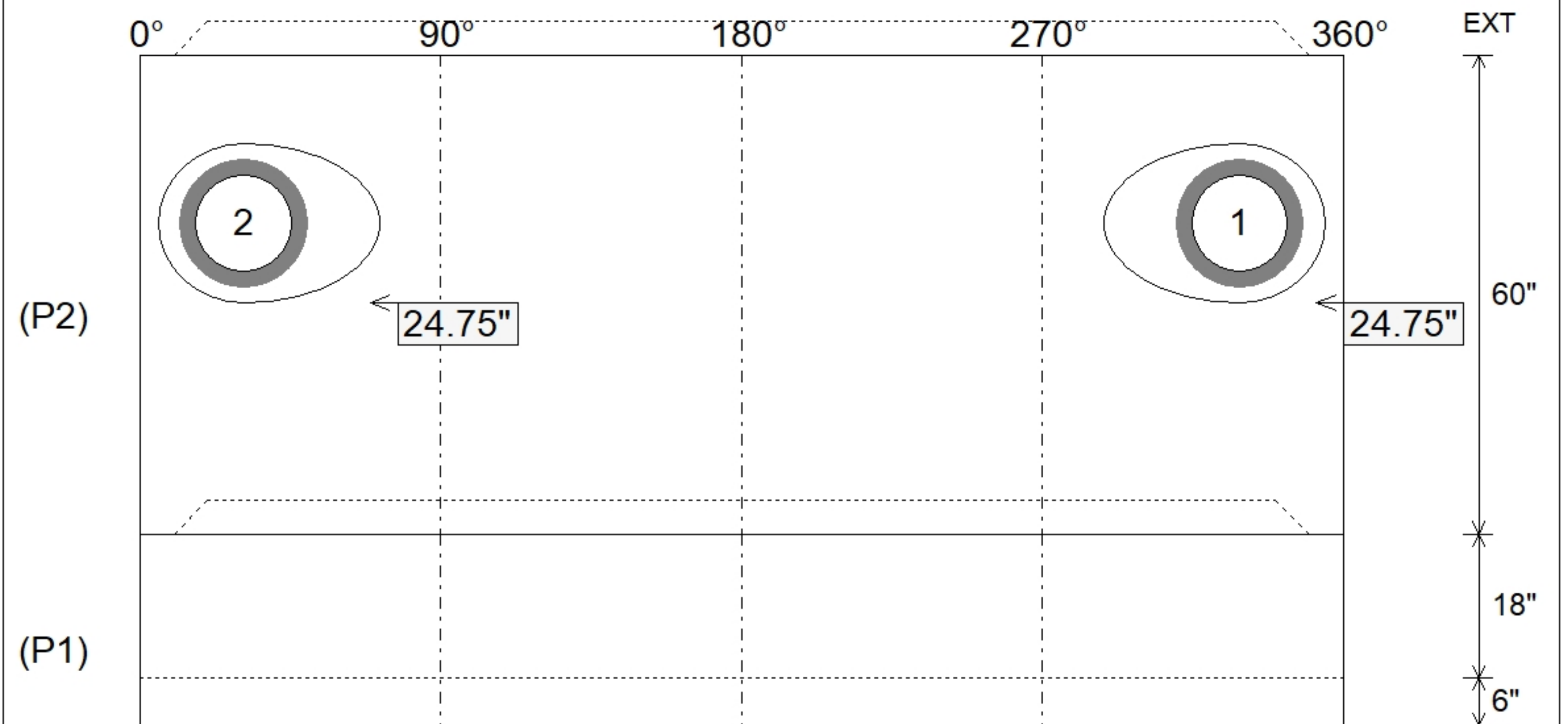
P4) 30" - CASTING HEIGHT - 4"	0 lb
P3) 48" - MH FLAT LID w/30in ECC Hole - 12"	1413 lb
P2) 48" - MH RISER NO STEPS - 60"	3853 lb
P1) 48" - MH BASE - 18"	2588 lb
1) PSASSEMBLY	0 lb
1) CVSTENCILING	0 lb
2) 48" - Conseal CS-102 1.00"	0 lb
2) Hole - 20	0 lb
Structure Total:	7854 lb



Position	Elev	Angle	Pipe	Pipe OD	Hole	Connector	Up (")	Ref
Rim	576.5'							
Reducer								
Invert 1	572.8'	0°	12" RCP B WALL	16"	20"	Hole 20	24.75"	P2
Invert 2	572.8'	0°	12" RCP B WALL	16"	20"	Hole 20	24.75"	P2
Invert 3								
Invert 4								
Invert 5								
Invert 6								
Invert 7								
Invert 8								



Default - Interior Dimensions



Submittal Drawing
 10/31/2025 8:12:49 AM

SUBMITTAL
 APPROVED BY: