

Job Name: 25-4329 - 694743 Assumption Greek Orthodox Church  
 Job Location: Louisville, KY  
 Contractor: Contech Engineering Solutions

Plant: Beaver Dam

10/30/2025 9:47:30 AM

Tech: J. Coppage

PC: T. Sekula



**Structure ID: 10-CS-4**

**P2 MH048RS60S**

**MH RISER NO STEPS**

- P4) 30" - CASTING HEIGHT - 4"
- P3) 48" - MH FLAT LID w/30in ECC Hole - 12"
- P2) 48" - MH RISER NO STEPS - 60"
- P1) 48" - MH BASE - 18"
- 1) PSASSEMBLY
- 1) CVSTENCILING
- 2) 48" - Conseal CS-102 1.00"
- 2) Hole - 20

0 lb Structure Notes:  
 1413 lb (4" TALL CASTING PROVIDED BY OTHERS)  
 3853 lb

2588 lb LIFTING ANCHORS TO BE INSTALLED  
 0 lb ON THE OUTSIDE OF THE STRUCTURE  
 0 lb

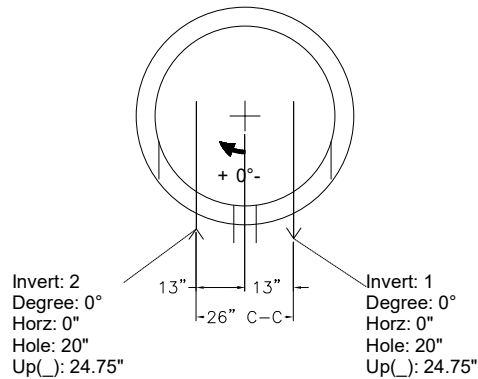
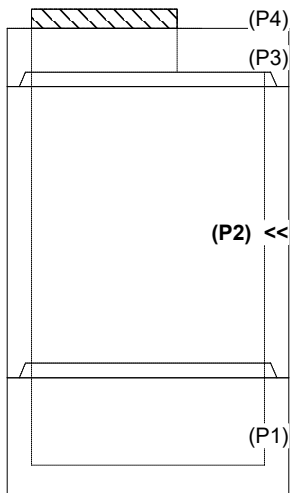
0 lb ICAST TO INSTALL THE INTERNALS  
 0 lb

Structure Total: 7854 lb CONTECH'S LOGO AS WELL AS  
 THE INLET AND OUTLET MUST BE  
 STENCILED ONTO THE STRUCTURE

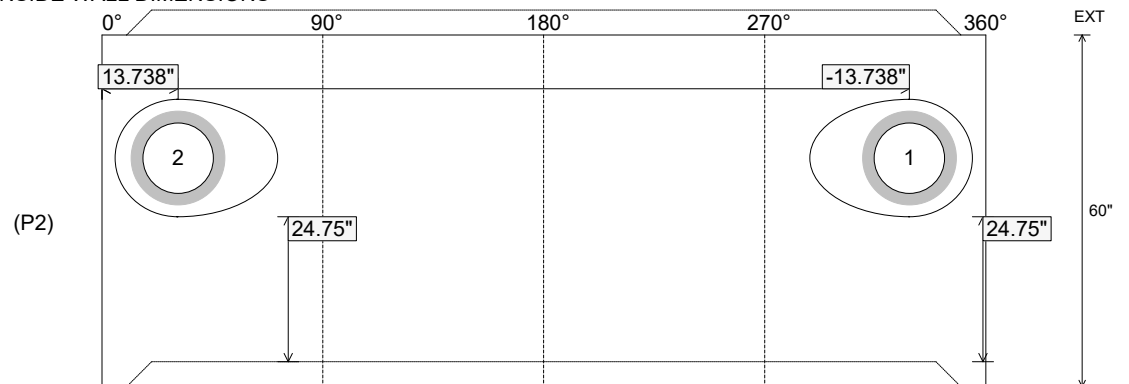
Rim: 576.5' Rim to Invert: 3.7' Slack: 1.4" Sump: 51" Step Position:

Position	Elev	Angle	Ext. (cw)	Pipe	Pipe OD	Connector	Hole	Horz Size	Up (")	Offset
Invert 1	572.8'	0°	-13.48"	12" RCP B WALL	16"	Hole 20	20"	27.739"	24.75"	-13"
Invert 2	572.8'	0°	13.48"	12" RCP B WALL	16"	Hole 20	20"	27.739"	24.75"	13"
Invert 3										
Invert 4										
Invert 5										
Invert 6										
Invert 7										
Invert 8										

**RIGHT-SIDE UP VIEW (int. dimensions)**



**INSIDE WALL DIMENSIONS**



Coating (Int):  
 Coating (Ext):

Seam Up: Tongue  
 Seam Dn: Groove

Wall Thickness: 5"  
 Floor Height: 0"

Height (Int): 60"  
 Height (Ext): 60"

Weight (Net): 3853 lb  
 Volume (Net): 0.98cu.yd