

**Job Name: 25-4327 - 834447 Lou Fusz Toyota Kirkwood**  
**Job Location: Saint Louis, MO**  
**Contractor: Contech Engineering Solutions**

PC: T. Sekula  
 TECH: J. Coppage  
 Plant: Beaver Dam



Structure ID: **10-CS-5**  
 Spec: Storm-Pipe Centered  
 Type: STM.MH  
 Size: 60"

Rim: 640.92'  
 Invert: 635.14'  
 Rim to Invert: 5.78'

Sump: 54"  
 Floor (Top): 630.64'  
 Floor Height: 8"

Floor (Bot): 629.973'  
 Overall Height: 10.5'  
 Slack: 5.36"

Structure Notes:  
 (4" TALL CASTING BY OTHERS)

LIFTING ANCHORS TO BE INSTALLED ON THE OUTSIDE OF THE STRUCTURE

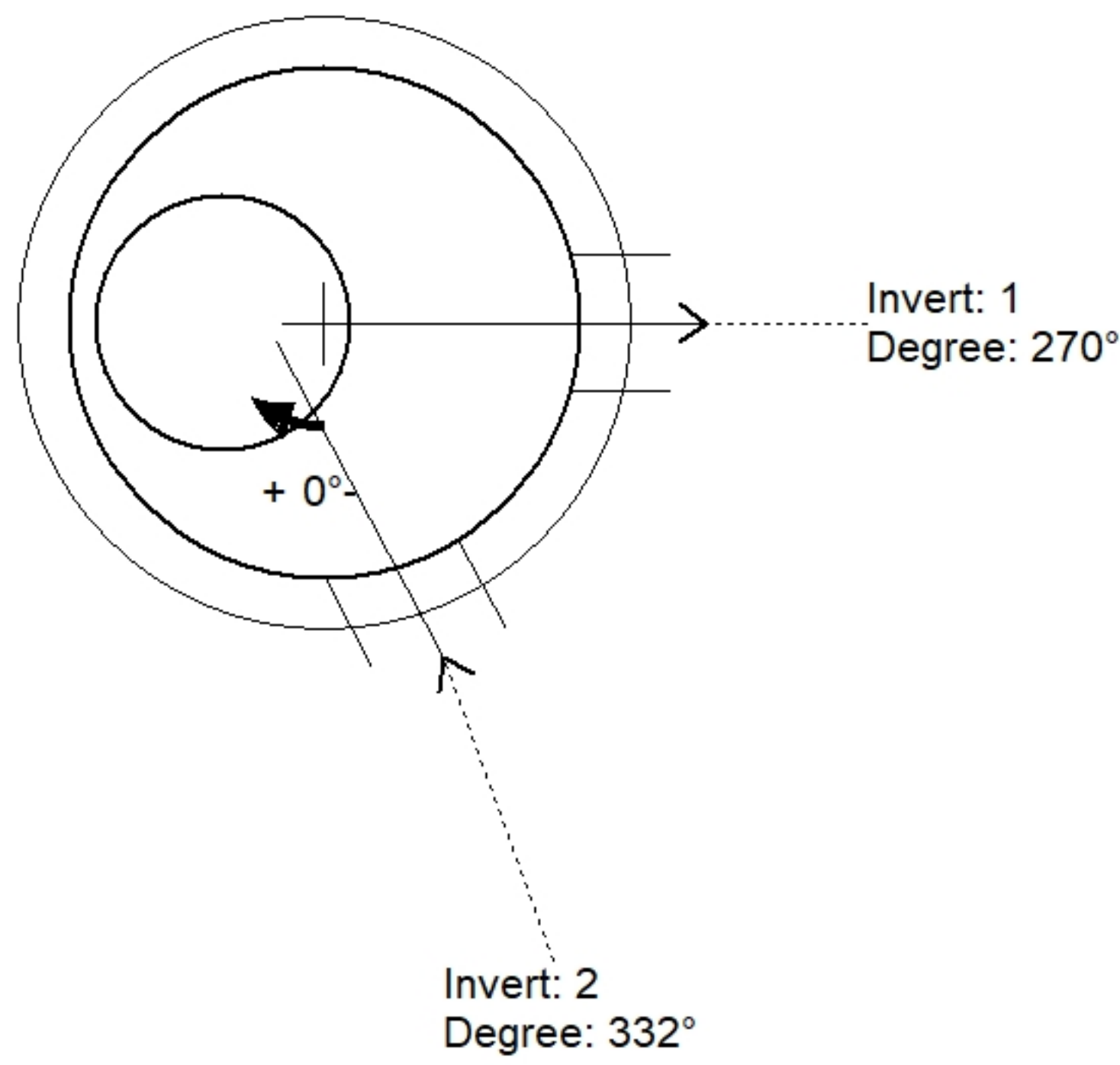
ICAST TO INSTALL THE INTERNALS

CONTECH'S LOGO AS WELL AS THE INLET AND OUTLET MUST BE STENCILED ONTO THE STRUCTURE

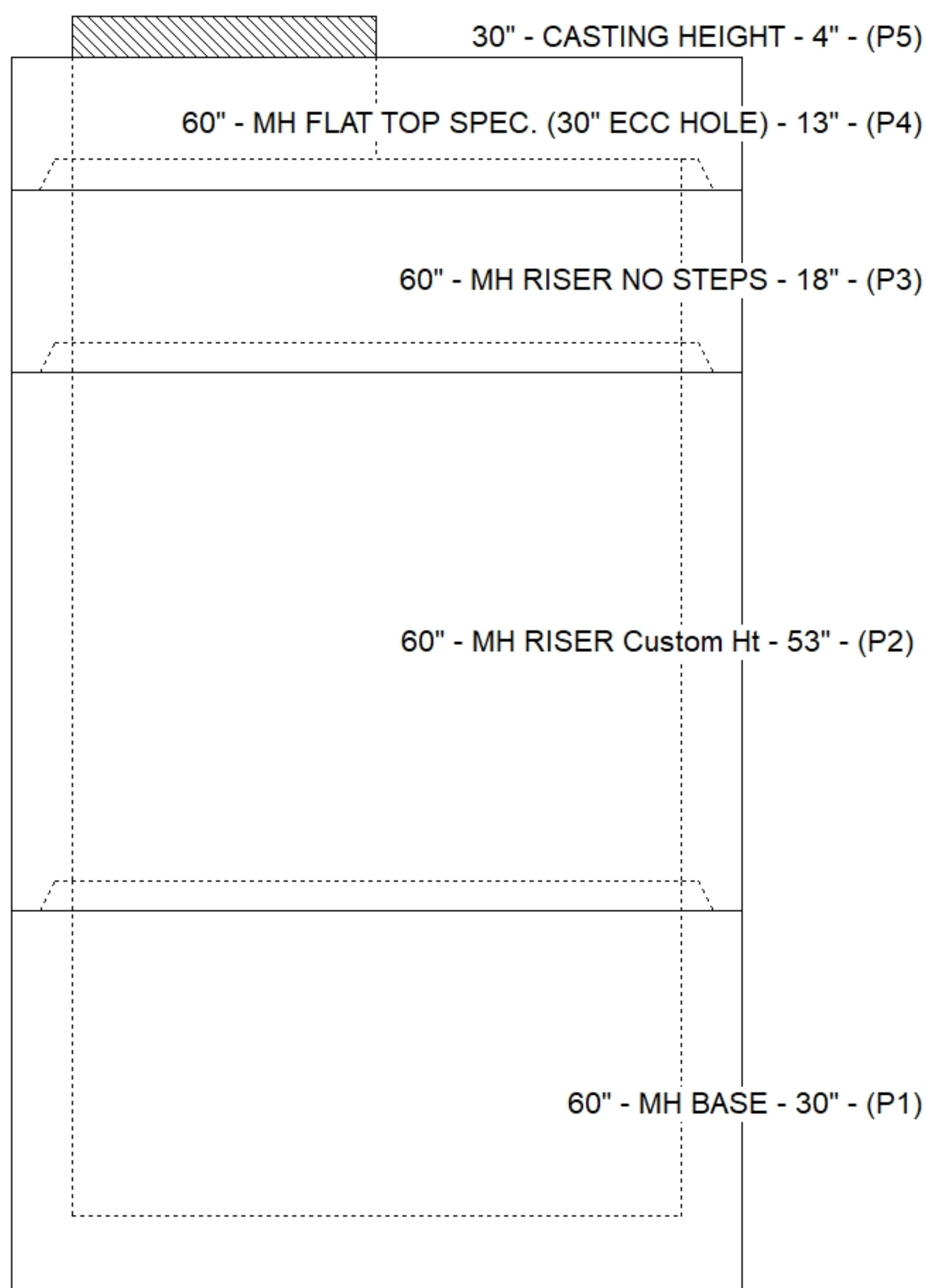
BASE TO BE MECHANICALLY ATTACHED TO THE BOTTOM OF THE CONTROL RISER

STRUCTURE SUMMARY:

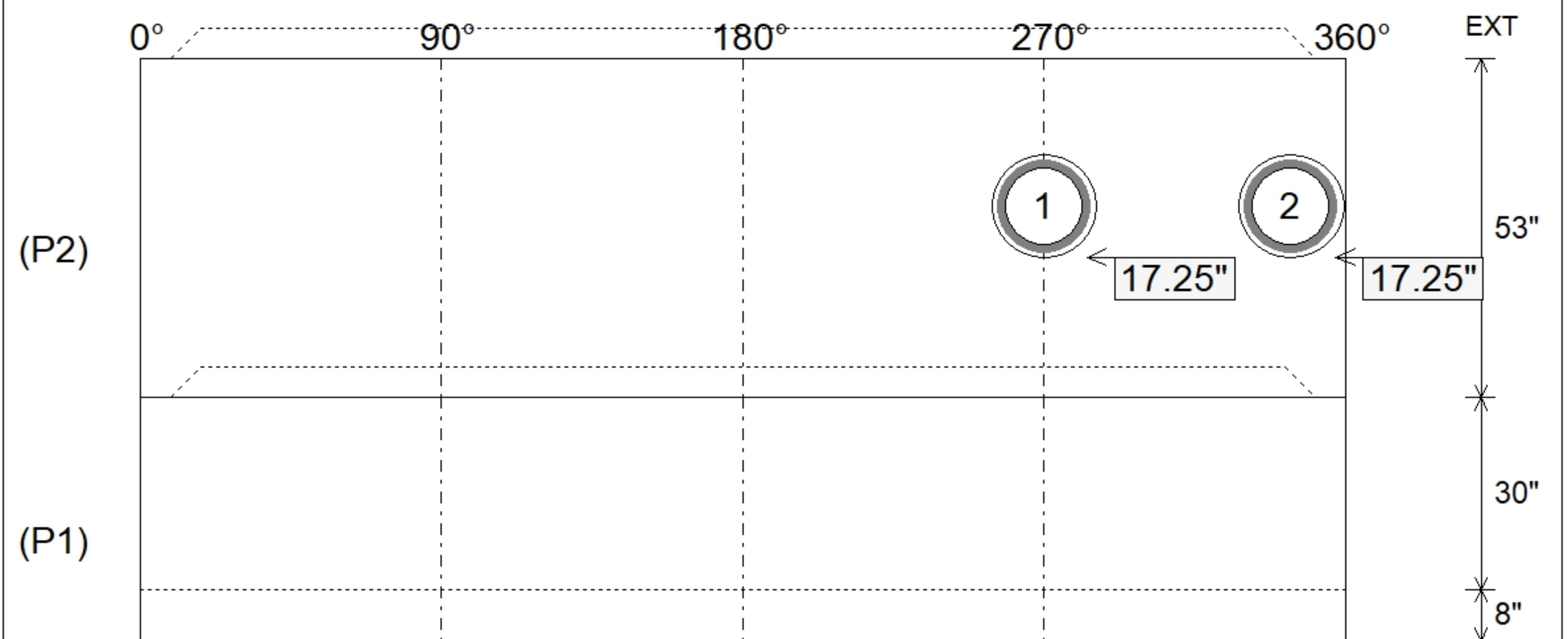
P5) 30" - CASTING HEIGHT - 4"	0 lb
P4) 60" - MH FLAT TOP SPEC. (30" ECC HOLE) - 13"	2589 lb
P3) 60" - MH RISER NO STEPS - 18"	1879 lb
P2) 60" - MH RISER Custom Ht - 53"	5326 lb
P1) 60" - MH BASE - 30"	5865 lb
1) PSASSEMBLY	0 lb
1) CVSTENCILING	0 lb
1) KNS CGA-12A - KNS CGA-12A	0 lb
3) 60" - Conseal CS-102 1.00"	0 lb
2) Kor-N-Seal1 - S106-16T	13 lb
<b>Structure Total:</b>	<b>15672 lb</b>



Position	Elev	Angle	Pipe	Pipe OD	Hole	Connector	Up (")	Ref
Rim	640.92'							
Reducer								
Invert 1	635.14'	270°	12" HDPE	14.5"	16"	Kor-N-Seal1 S106-16T	17.25"	P2
Invert 2	635.14'	332°	12" HDPE	14.5"	16"	Kor-N-Seal1 S106-16T	17.25"	P2
Invert 3								
Invert 4								
Invert 5								
Invert 6								
Invert 7								
Invert 8								



**Default - Interior Dimensions**



Submittal Drawing  
 10/30/2025 9:41:59 AM

SUBMITTAL  
 APPROVED BY: