

**Job Name: 25-4318 - Commercial Strip**  
**Job Location: Owensboro, KY**  
**Contractor: Winwater Hartford KY Co.**

PC: A. Chambers  
 TECH: Jared - F  
 Plant: 100



Structure ID: **B-2**  
 Spec: Storm  
 Type: BX 8inW, 8inF  
 Size: 24" x 24"

Rim: 468.68'  
 Invert: 465.83'  
 Rim to Invert: 2.85'

Sump: 0.25"  
 Floor (Top): 465.809'  
 Floor Height: 8"

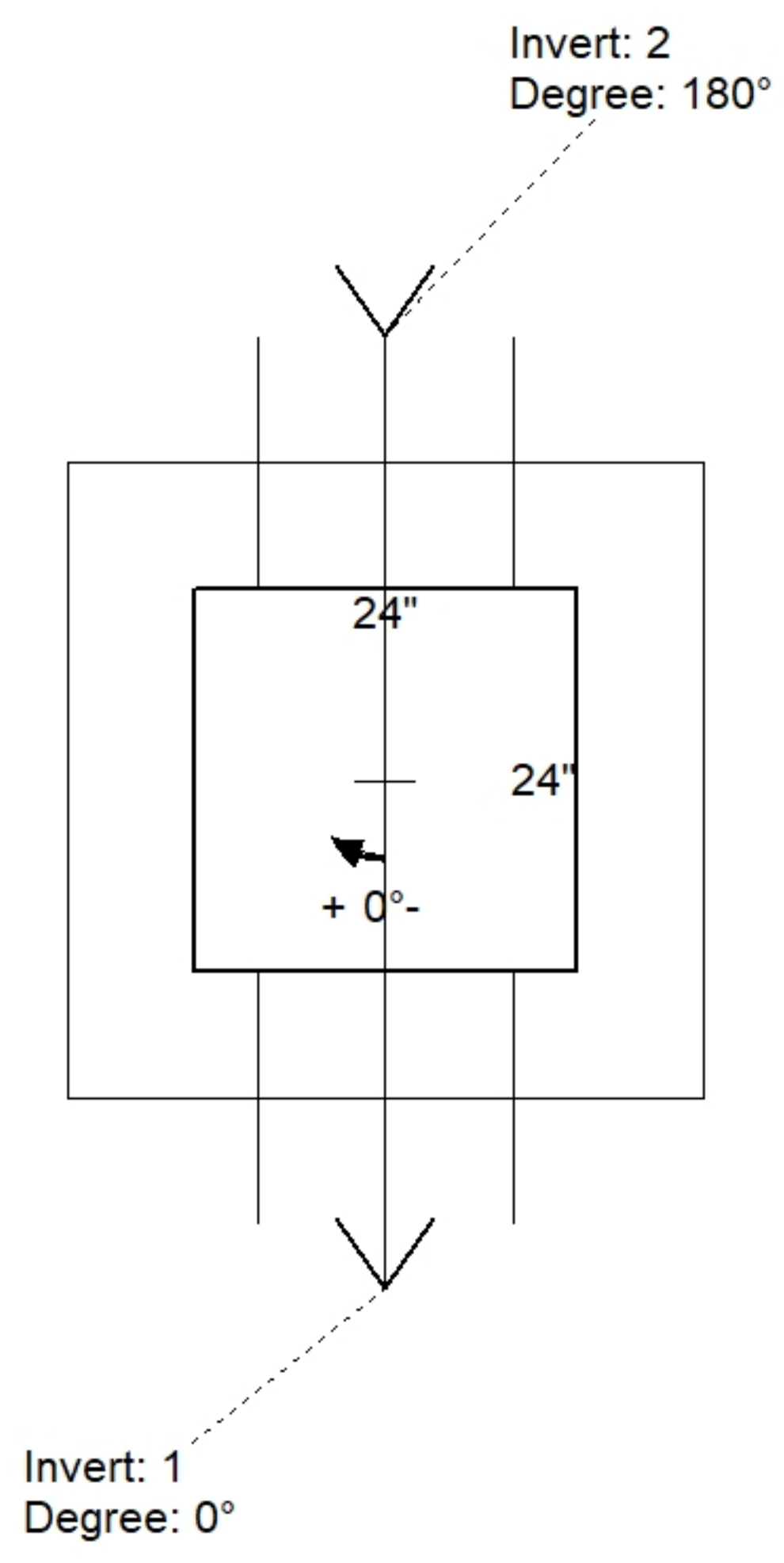
Floor (Bot): 465.143'  
 Overall Height: 3.5'  
 Slack: 0.45"

**Structure Notes:**  
 1. PER ASTM C913 SPECIFICATIONS.  
 2. CONCRETE = 4,000 PSI AT 28 DAYS.  
 3. NO STEPS AND NO INVERT CHANNEL.  
 4. CASTING SUPPLIED BY ICAST (HOE 280T F/G).

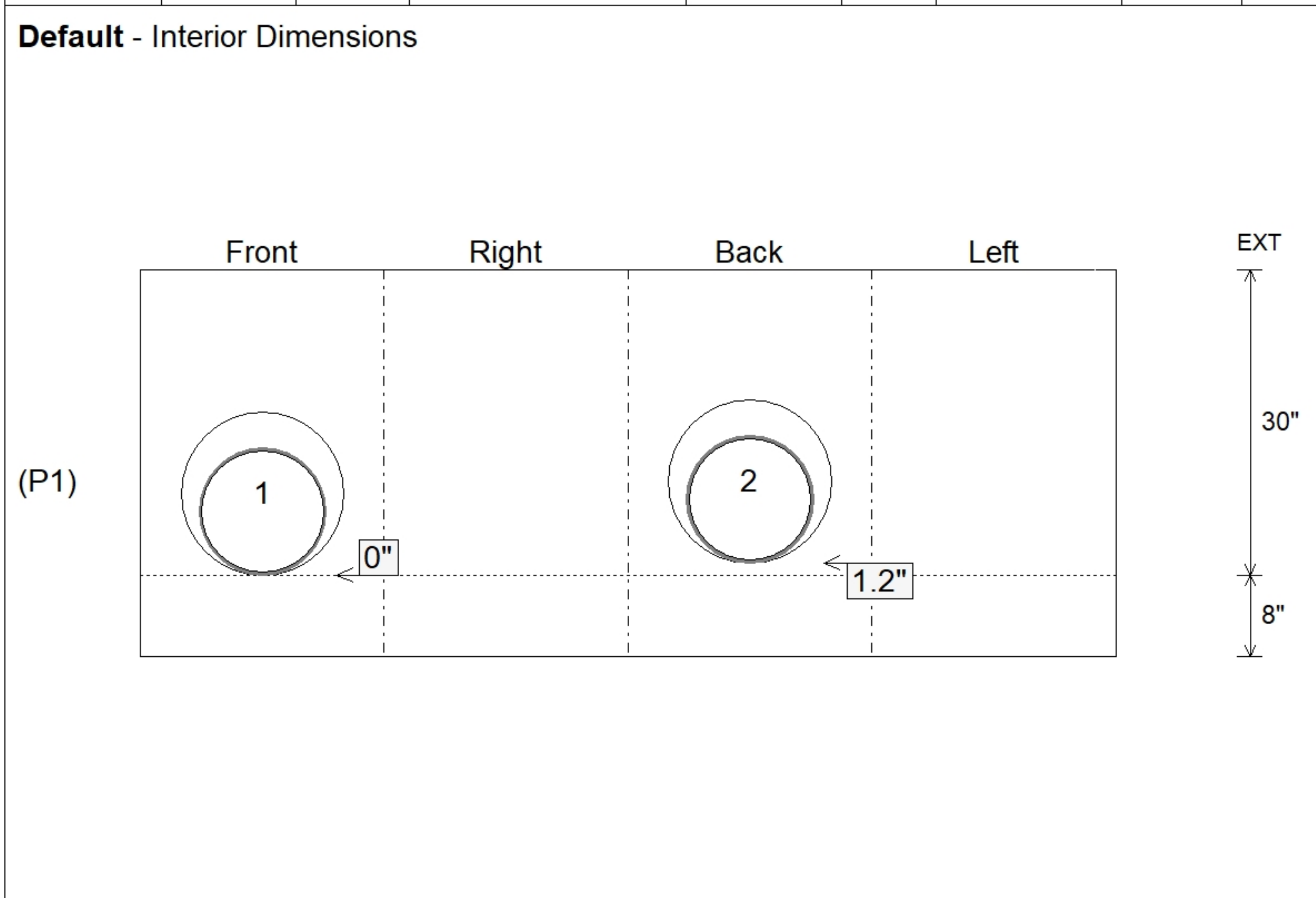
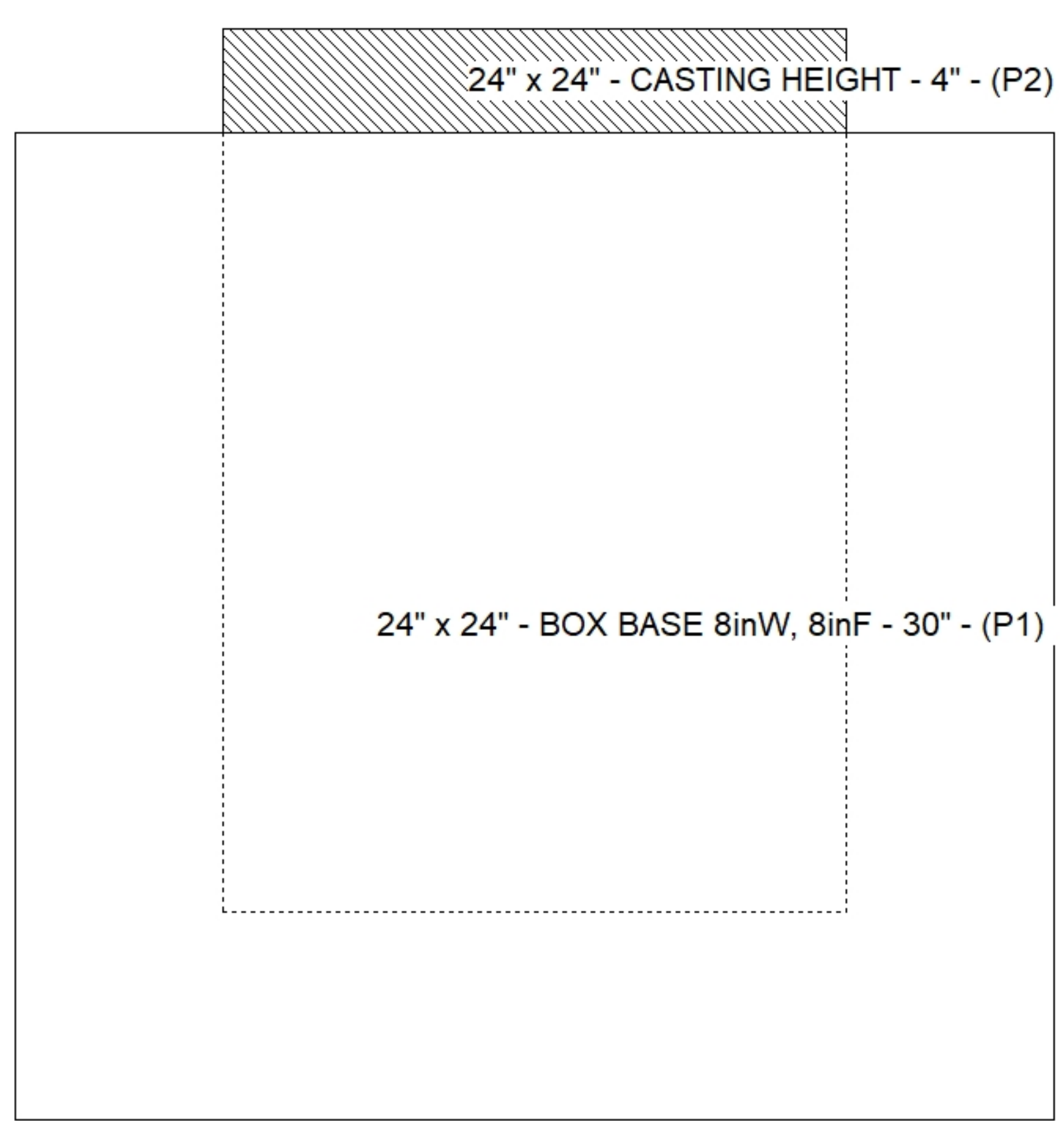
REINFORCING PER ASTM A615 (GRADE 60).  
 - WALLS (As .12) #5 BARS AT 12" C.C.E.W.  
 - FLOOR (As .12) #5 BARS AT 12" C.C.E.W.

**STRUCTURE SUMMARY:**

P2) 24" x 24" - CASTING HEIGHT - 4"	0 lb
P1) 24" x 24" - BOX BASE 8inW, 8inF - 30"	3382 lb
1) CASTING - HOE 280T F/G	182 lb
1) 24" x 24" - Conseal CS-102 1.00"	0 lb
2) Hole - 16	0 lb
	-----
<b>Structure Total:</b>	<b>3564 lb</b>



Position	Elev	Angle	Pipe	Pipe OD	Hole	Connector	Up (")	Ref
Rim	468.68'							
Reducer								
Invert 1	465.83'	0°	12" PVC SDR35	12.5"	16"	Hole 16	0"	P1
Invert 2	465.93'	180°	12" PVC SDR35	12.5"	16"	Hole 16	1.2"	P1
Invert 3								
Invert 4								
Invert 5								
Invert 6								
Invert 7								
Invert 8								



Submittal Drawing  
 4/20/2026 8:42:05 AM

SUBMITTAL  
 APPROVED BY: