

Job Name: 25-4311 Home 2 Suite (OH)798148-10
Job Location: Springfield, OH
Contractor: Contech Engineering Solutions

PC: T. Sekula
 TECH: J. Coppage
 Plant: Beaver Dam



Structure ID: 10-CS-6
 Spec: Storm-Pipe Centered
 Type: STM.MH
 Size: 72"

Rim: 922.75'
 Invert: 917.67'
 Rim to Invert: 5.08'

Sump: 60"
 Floor (Top): 912.67'
 Floor Height: 8"

Floor (Bot): 912.003'
 Overall Height: 10.25'
 Slack: 5.96"

Structure Notes:
 (4" TALL CASTING PROVIDED BY OTHERS)

LIFTING ANCHORS TO BE INSTALLED ON THE OUTSIDE OF THE STRUCTURE

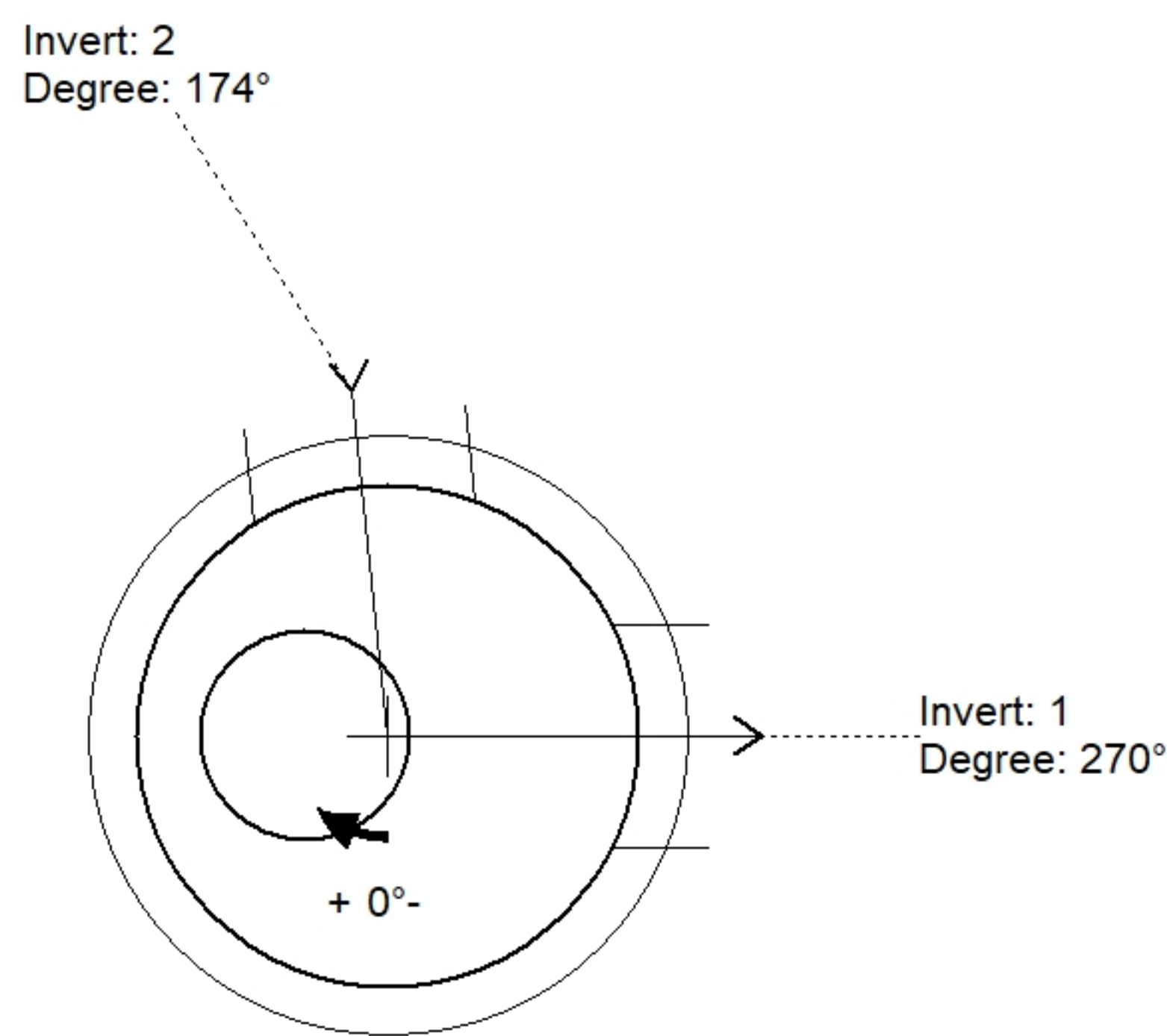
BASE TO BE MECHANICALLY ATTACHED TO THE CONTROL RISER

ICAST TO INSTALL THE INTERNALS

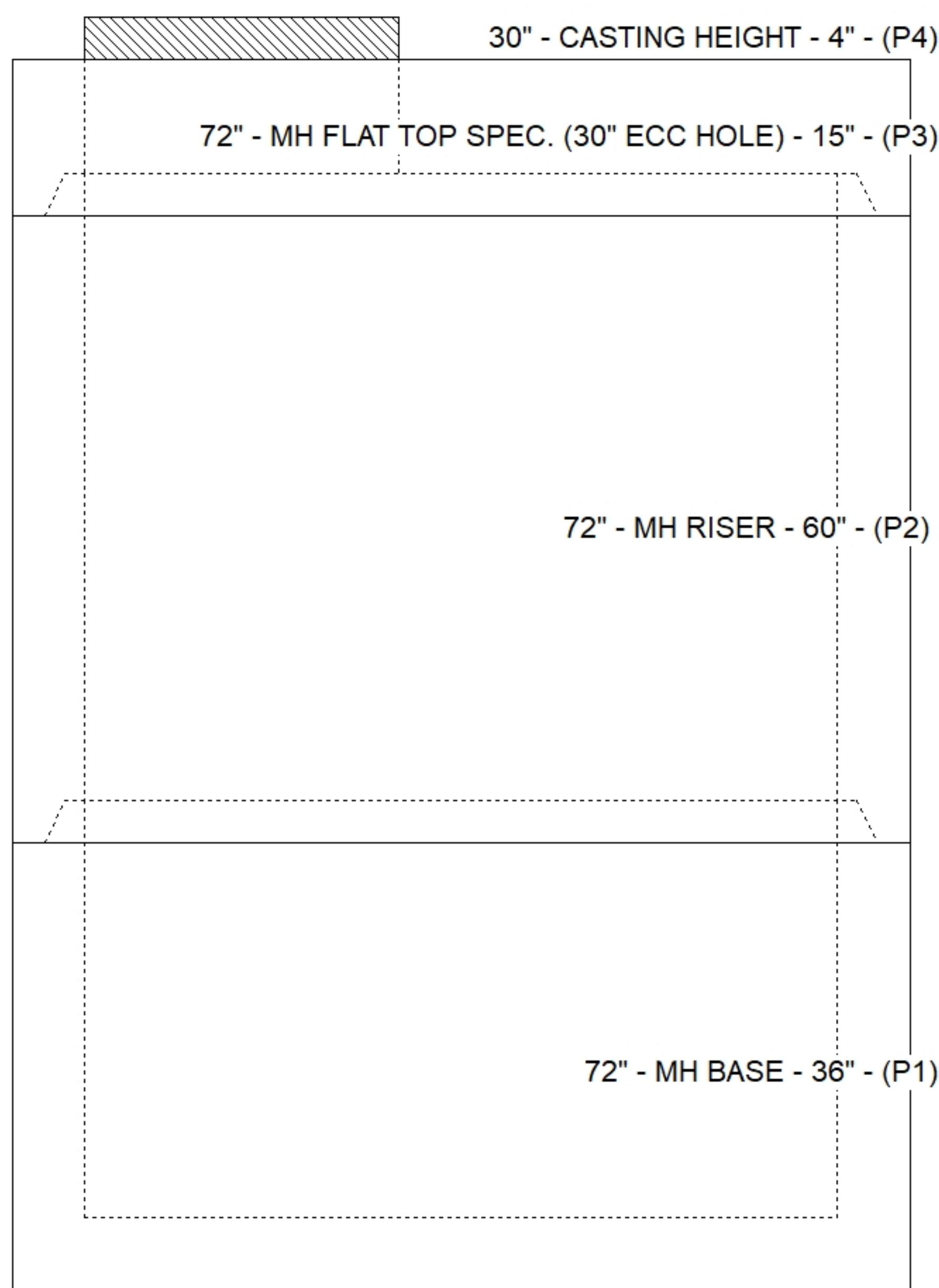
CONTECH'S LOGO AS WELL AS THE INLET AND OUTLET MUST BE STENCILED ONTO THE STRUCTURE

STRUCTURE SUMMARY:

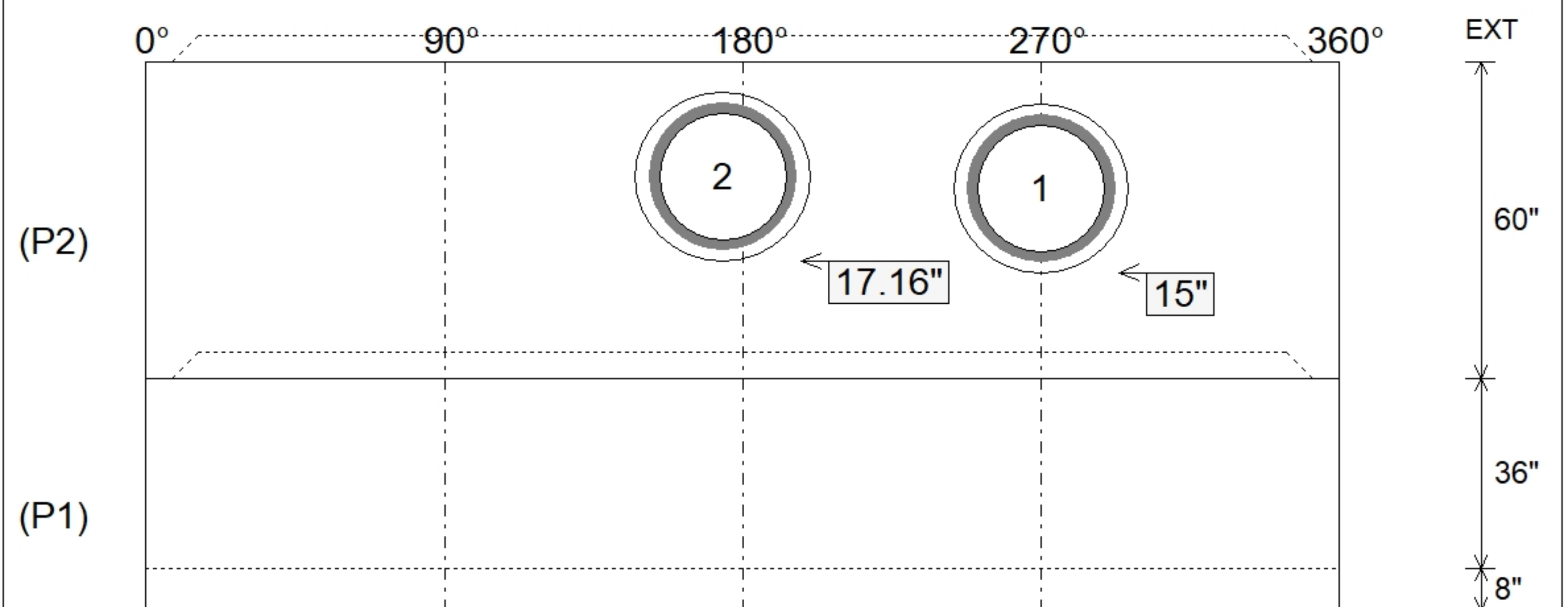
P4) 30" - CASTING HEIGHT - 4"	0 lb
P3) 72" - MH FLAT TOP SPEC. (30" ECC HOLE) - 15"	4661 lb
P2) 72" - MH RISER - 60"	7773 lb
P1) 72" - MH BASE - 36"	9148 lb
1) CVSTENCILING	0 lb
1) PSASSEMBLY	0 lb
2) 72" - Conseal CS-102 1.00"	0 lb
2) Hole - 32	0 lb
Structure Total:	21582 lb



Position	Elev	Angle	Pipe	Pipe OD	Hole	Connector	Up (")	Ref
Rim	922.75'							
Reducer								
Invert 1	917.67'	270°	24" HDPE	27.8"	32"	Hole 32	15"	P2
Invert 2	917.85'	174°	24" HDPE	27.8"	32"	Hole 32	17.16"	P2
Invert 3								
Invert 4								
Invert 5								
Invert 6								
Invert 7								
Invert 8								



Default - Interior Dimensions



Submittal Drawing
 10/30/2025 9:37:20 AM

SUBMITTAL
 APPROVED BY: