

Job Name: 25-4307 - Elkhorn Riser & Manhole
Job Location: Frankfort, KY
Contractor: Franklin BOE C/O Louisville Paving & Construction

PC: J. Jarvis
 TECH: J. Coppage
 Plant: Beaver Dam



Structure ID: **3-54307b**
 Spec: Storm-Pipe Centered
 Type: STM.MH
 Size: 36"

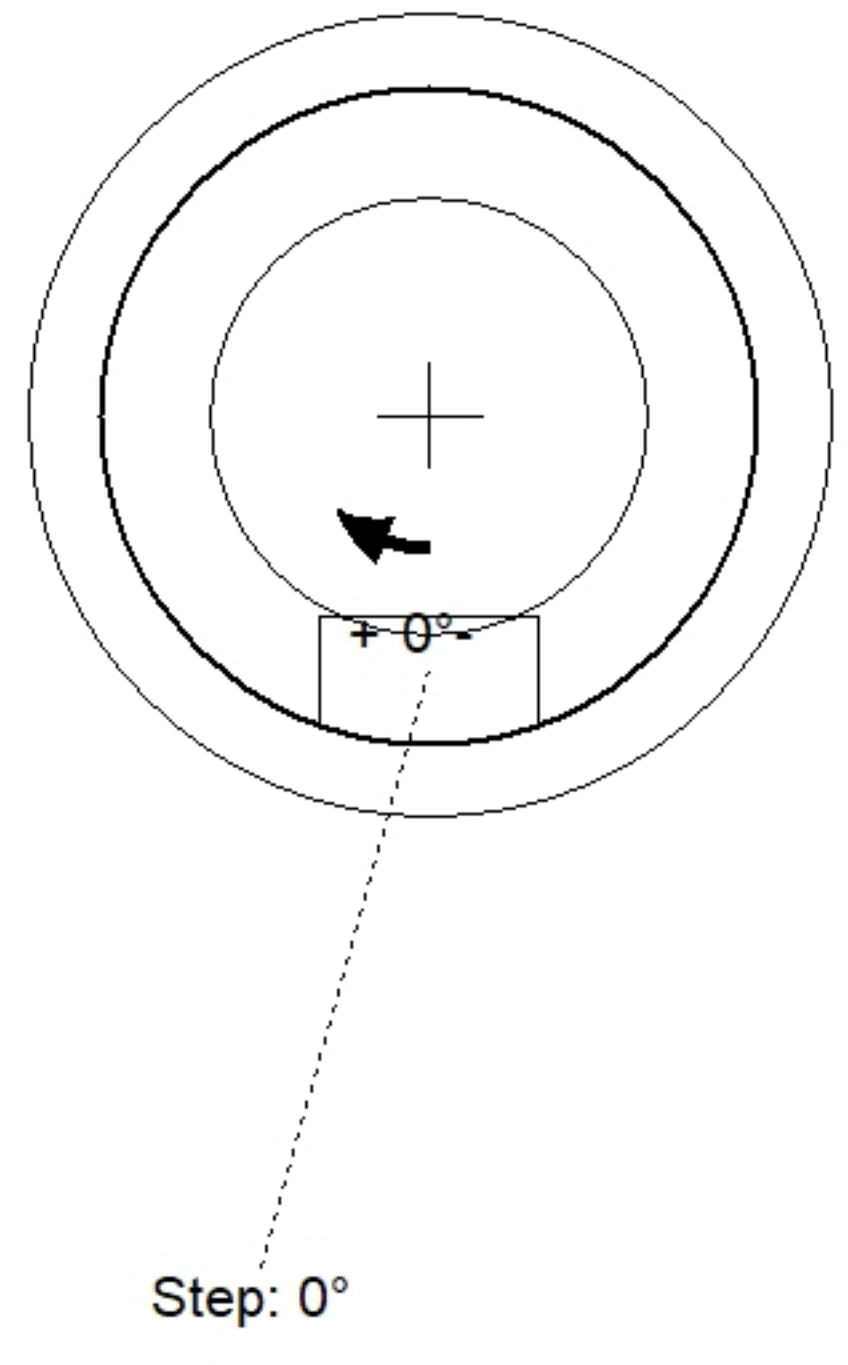
Rim: 8'
 Invert: 8'
 Rim to Invert: 0'

Sump: 0"
 Floor (Top): 0"
 Floor Height: 0"

Floor (Bot): 0'
 Overall Height: 0.833'
 Slack: 86"

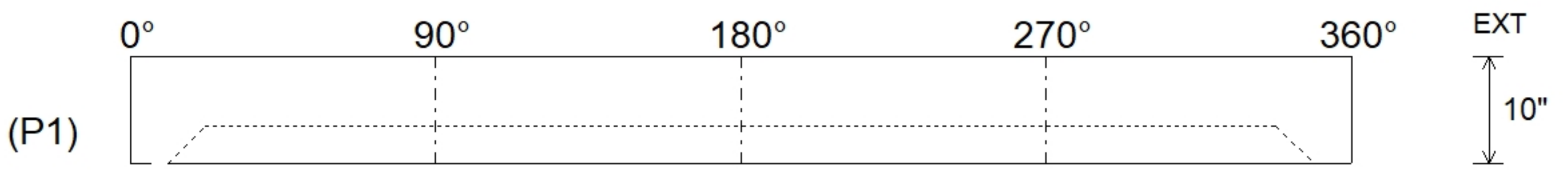
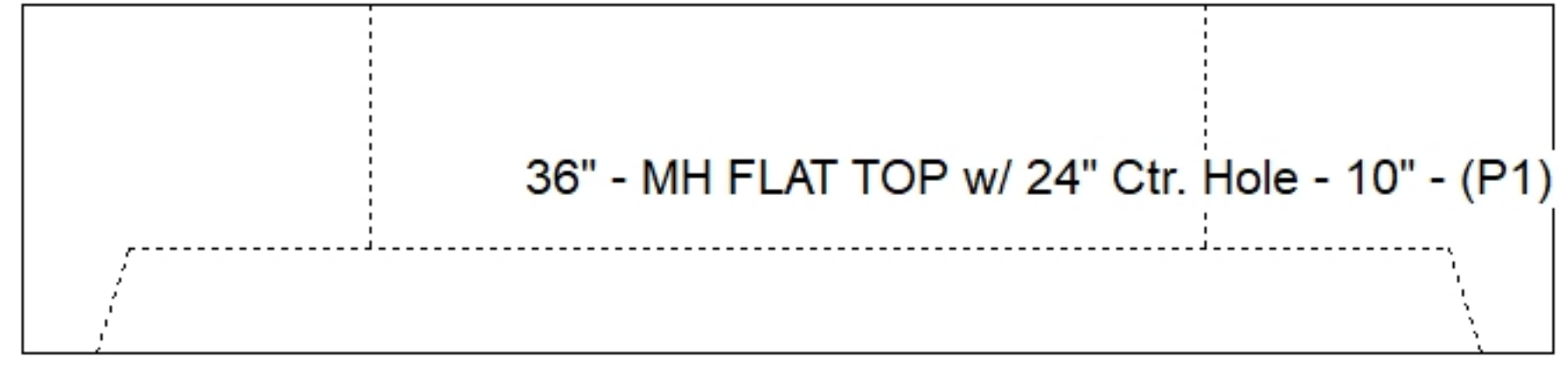
Structure Notes:
 1. PER ASTM C478 SPECIFICATIONS.
 2. CONCRETE = 4,000 PSI AT 28 DAYS.
 3. REINFORCING PER ASTM A615 (GRADE 60).
 - TOP SLAB (As .62) #5 BARS AT 6" C.C.E.W..
 - RISER/WALLS (As .12)
 - FLOOR (As .31) #5 BARS AT 12" C.C.E.W.

STRUCTURE SUMMARY:
 P1) 36" - MH FLAT TOP w/ 24" Ctr. Hole - 10" 896 lb
Structure Total: 896 lb



Position	Elev	Angle	Pipe	Pipe OD	Hole	Connector	Up ()	Ref
Rim	8'							
Reducer								
Invert 1								
Invert 2								
Invert 3								
Invert 4								
Invert 5								
Invert 6								
Invert 7								
Invert 8								

Default - Interior Dimensions



Submittal Drawing
 11/11/2025 10:45:07 AM

SUBMITTAL
 APPROVED BY: