

**Job Name: 25-4307 - Elkhorn Riser & Manhole**  
**Job Location: Frankfort, KY**  
**Contractor: Franklin BOE C/O Louisville Paving & Construction**

PC: J. Jarvis  
 TECH: J. Coppage  
 Plant: Beaver Dam



Structure ID: **3-54307a**

Spec: Storm-Pipe Centered  
 Type: STM.MH  
 Size: 36"

Rim: 8'  
 Invert: 8'  
 Rim to Invert: 0'

Sump: 0"  
 Floor (Top): 0"  
 Floor Height: 0"

Floor (Bot): 0'  
 Overall Height: 0.833'  
 Slack: 86"

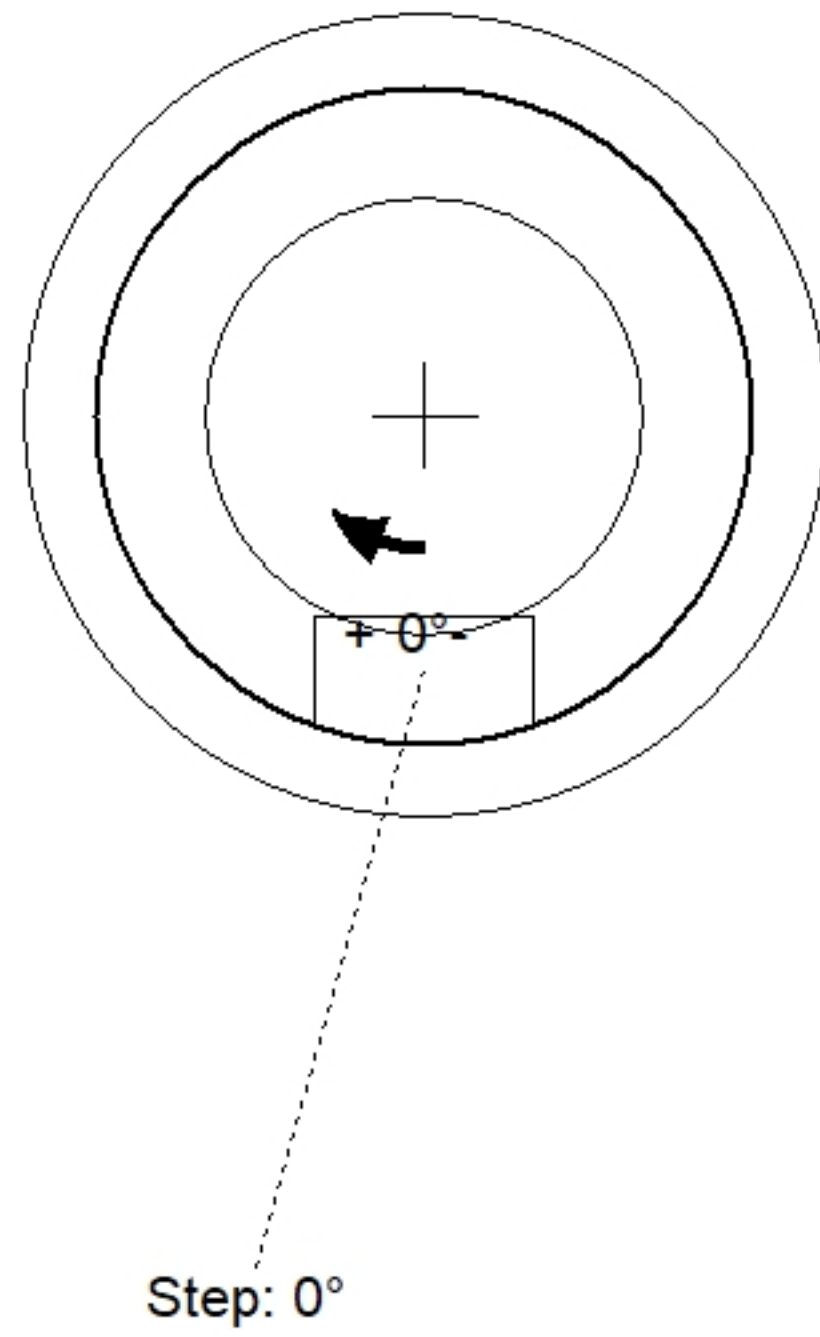
Structure Notes:

1. PER ASTM C478 SPECIFICATIONS.
2. CONCRETE = 4,000 PSI AT 28 DAYS.
3. REINFORCING PER ASTM A615 (GRADE 60).
  - TOP SLAB (As .62) #5 BARS AT 6" C.C.E.W..
  - RISER/WALLS (As .12)
  - FLOOR (As .31) #5 BARS AT 12" C.C.E.W.

STRUCTURE SUMMARY:

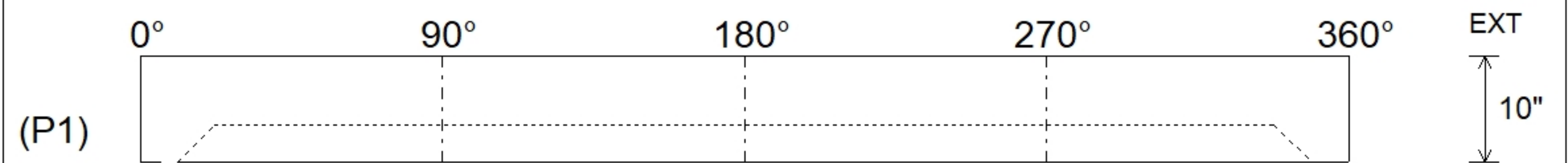
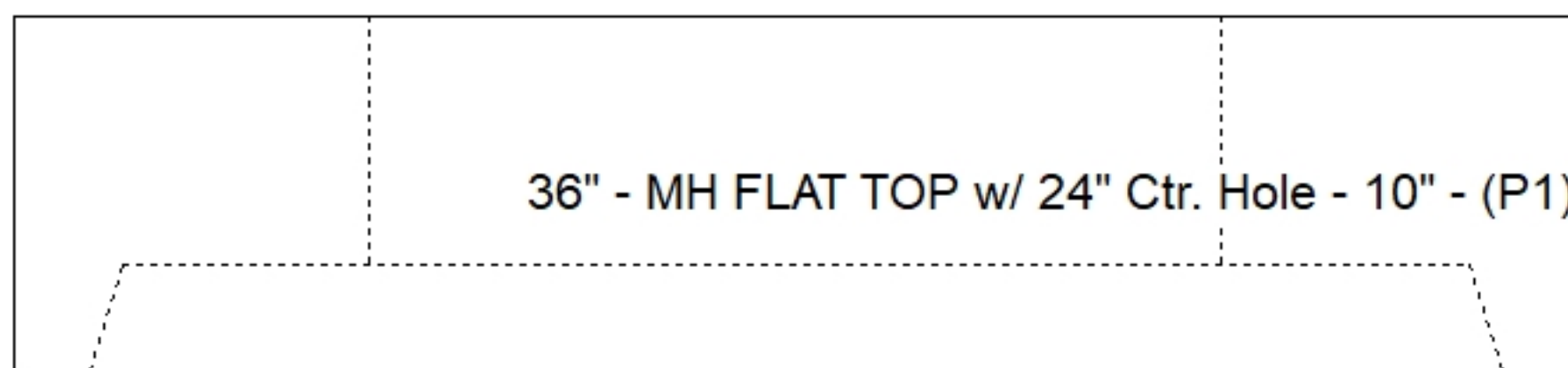
P1) 36" - MH FLAT TOP w/ 24" Ctr. Hole - 10"

896 lb  
 Structure Total: 896 lb



Position	Elev	Angle	Pipe	Pipe OD	Hole	Connector	Up ( )	Ref
Rim	8'							
Reducer								
Invert 1								
Invert 2								
Invert 3								
Invert 4								
Invert 5								
Invert 6								
Invert 7								
Invert 8								

**Default - Interior Dimensions**



Submittal Drawing  
 11/11/2025 10:45:07 AM

SUBMITTAL  
 APPROVED BY: