

Job Name: 25-4301 - 807890 1520 Hampton Street
Job Location: Nashville, TN
Contractor: Contech Engineering Solutions

PC: T. Sekula
 TECH: J. Coppage
 Plant: Beaver Dam



Structure ID: **10-CS-6**
 Spec: Storm-Pipe Centered
 Type: STM.MH
 Size: 72"

Rim: 477'
 Invert: 473.16'
 Rim to Invert: 3.84'

Sump: 60"
 Floor (Top): 468.16'
 Floor Height: 8"

Floor (Bot): 467.493'
 Overall Height: 9.333'
 Slack: 2.08"

Structure Notes:
 (4" TALL CASTING PROVIDED BY OTHERS)

LIFTING ANCHORS TO BE INSTALLED ON THE OUTSIDE OF THE STRUCTURE

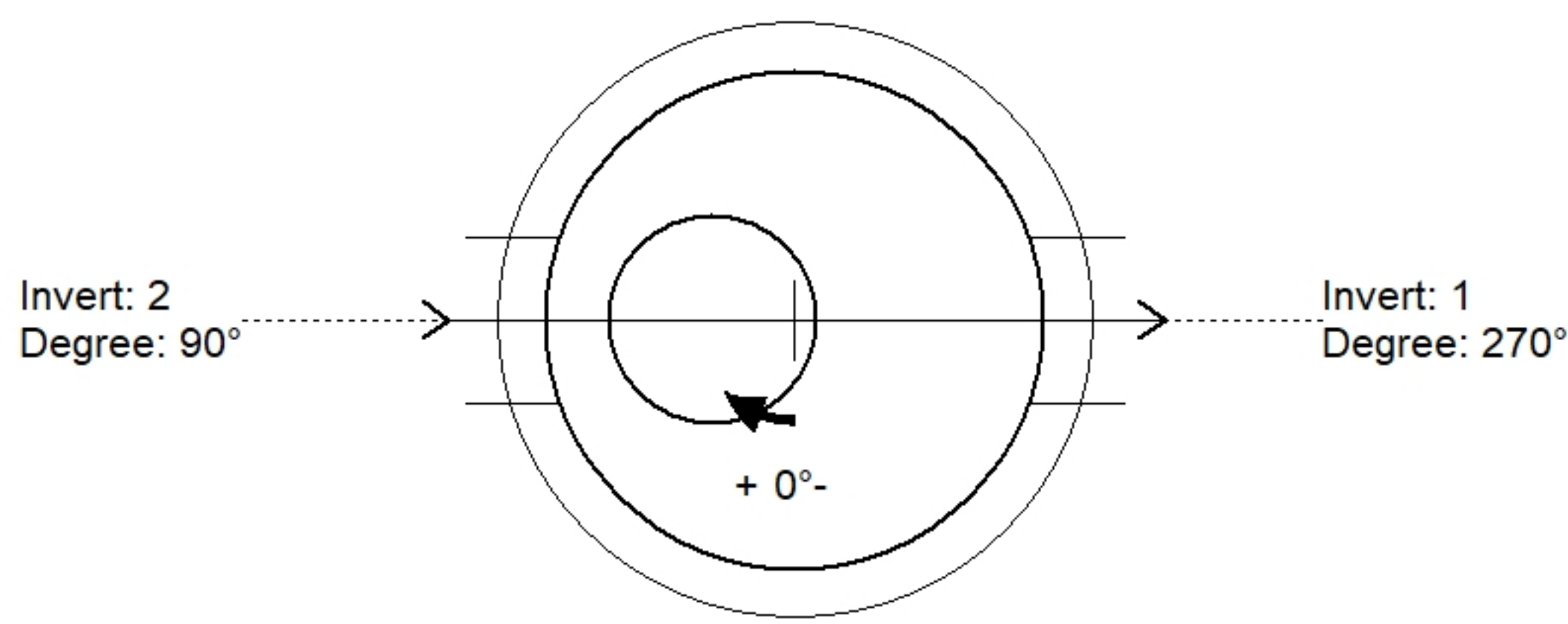
BASE TO BE MECHANICALLY ATTACHED TO THE CONTROL RISER

ICAST TO INSTALL THE INTERNALS

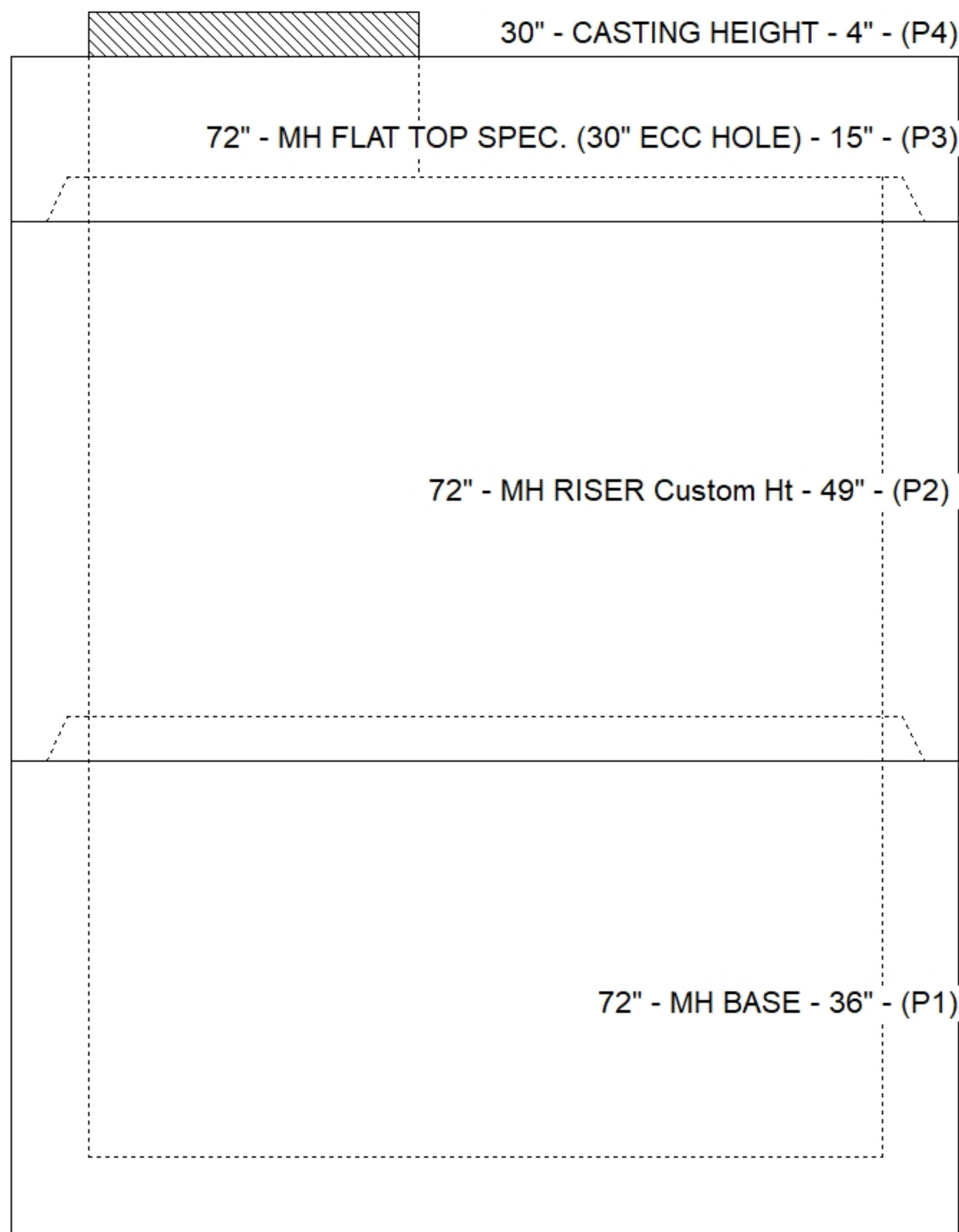
CONTECH'S LOGO AS WELL AS THE INLET AND OUTLET MUST BE STENCILED ONTO THE STRUCTURE

STRUCTURE SUMMARY:

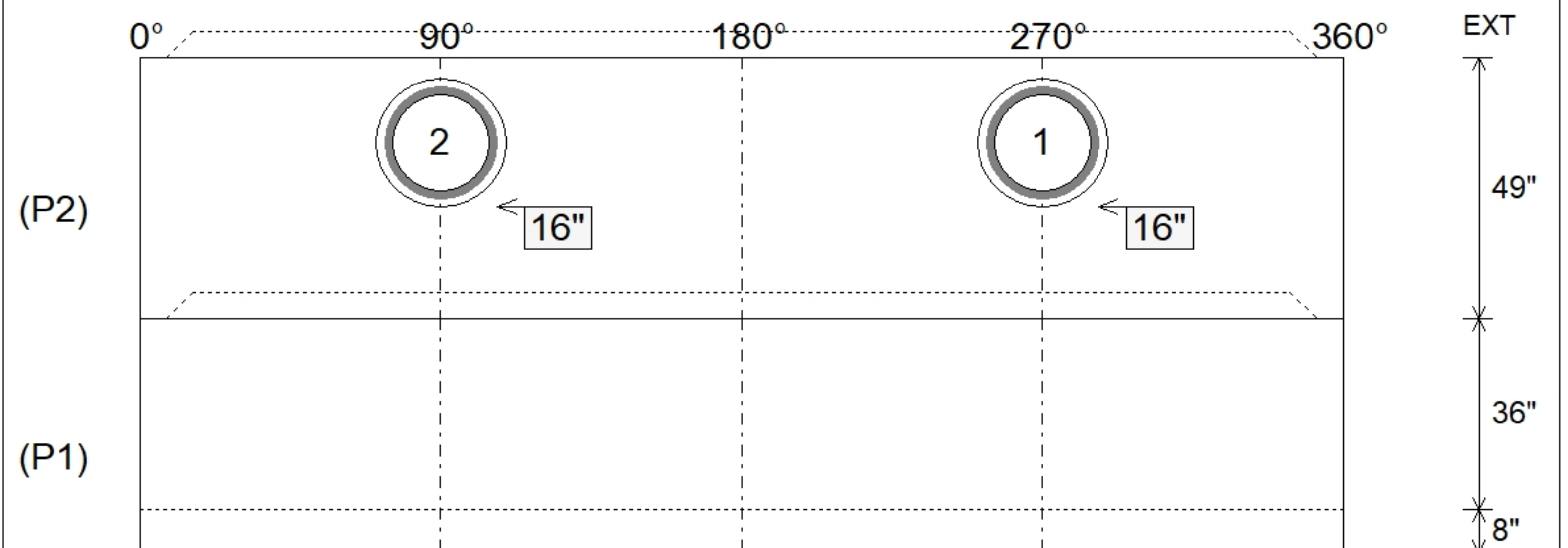
P4) 30" - CASTING HEIGHT - 4"	0 lb
P3) 72" - MH FLAT TOP SPEC. (30" ECC HOLE) - 15"	4661 lb
P2) 72" - MH RISER Custom Ht - 49"	6603 lb
P1) 72" - MH BASE - 36"	9148 lb
1) CVSTENCILING	0 lb
1) PSASSEMBLY	0 lb
2) 72" - Conseal CS-102 1.00"	0 lb
2) Hole - 24	0 lb
	<hr/>
Structure Total:	20412 lb



Position	Elev	Angle	Pipe	Pipe OD	Hole	Connector	Up (L)	Ref
Rim	477'							
Reducer								
Invert 1	473.16'	270°	18" HDPE	21.2"	24"	Hole 24	16"	P2
Invert 2	473.16'	90°	18" HDPE	21.2"	24"	Hole 24	16"	P2
Invert 3								
Invert 4								
Invert 5								
Invert 6								
Invert 7								
Invert 8								



Default - Interior Dimensions



Submittal Drawing
 10/30/2025 9:31:23 AM

SUBMITTAL
 APPROVED BY: