

Job Name: 25-4299 - Seneca High School
Job Location: Louisville, KY
Contractor: Dan Cristiani Excavating Co. Inc.

PC: J. Jarvis
 TECH: J. Horsley
 Plant: 100



Structure ID: I3
 Spec: MSD
 Type: Yard Drain
 Size: 48"

Rim: 481.95'
 Invert: 478.9'
 Rim to Invert: 3.05'

Sump: 0"
 Floor (Top): 478.9'
 Floor Height: 6"

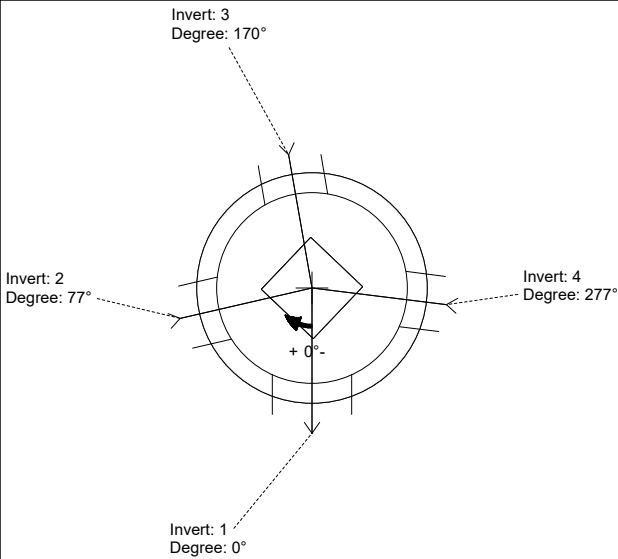
Floor (Bot): 478.4'
 Overall Height: 3.5'
 Slack: 0.6"

- Structure Notes:**
- PER LOUISVILLE MSD / ASTM C-478 SPECIFICATIONS
 - CONCRETE: 4,000 PSI AT 28 DAYS
 - REINFORCEMENT:
 - FLAT LID: #4 BAR @ 10" C.C. E.W. (GRADE 60)
 - BASE: PER ASTM A615
 - NO STORM INVERT
 - NO STEPS
 - HOE 165-A FRAME & GRATE SUPPLIED BY OTHERS

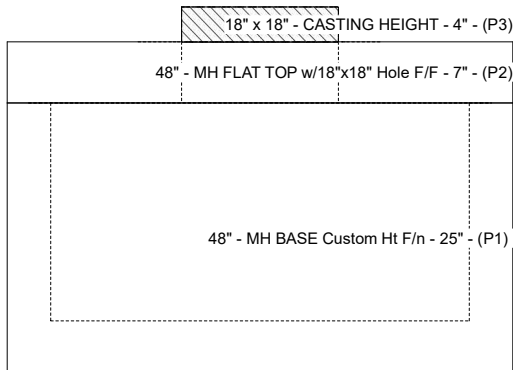
STRUCTURE SUMMARY:

P3) 18" x 18" - CASTING HEIGHT - 4" 0 lb
 P2) 48" - MH FLAT TOP w/18"x18" Hole F/F - 7" 1362 lb
 P1) 48" - MH BASE Custom Ht F/n - 25" 2705 lb
 1) 48" - Conseal CS-102 1.00" 0 lb
 1) Hole - 20 0 lb
 2) Hole - 16 0 lb
 1) Hole - 14 0 lb

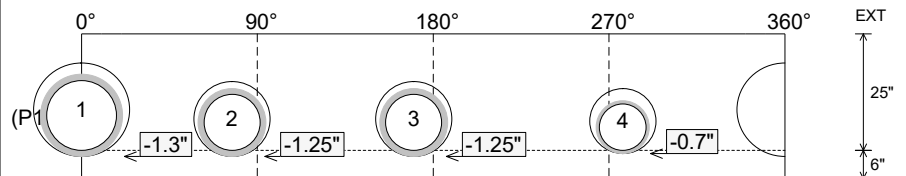
 Structure Total: 4066 lb



Position	Elev	Angle	Pipe	Pipe OD	Hole	Connector	Up (")	Ref
Rim	481.95'							
Reducer								
Invert 1	478.9'	0°	15" HDPE	17.6"	20"	Hole 20	-1.3"	P1
Invert 2	478.9'	77°	12" HDPE	14.5"	16"	Hole 16	-1.25"	P1
Invert 3	478.9'	170°	12" HDPE	14.5"	16"	Hole 16	-1.25"	P1
Invert 4	478.9'	277°	10" HDPE	11.4"	14"	Hole 14	-0.7"	P1
Invert 5								
Invert 6								
Invert 7								
Invert 8								



Cast (Int. Dim.) - Interior Dimensions



Submittal Drawing
 2/17/2026 12:38:37 PM

SUBMITTAL
 APPROVED BY: