

Job Name: 25-4299 - Seneca High School
Job Location: Louisville, KY
Contractor: Dan Cristiani Excavating Co. Inc.

PC: J. Jarvis
 TECH: J. Horsley
 Plant: 100



Structure ID: I1
 Spec: MSD
 Type: Yard Drain
 Size: 48"

Rim: 482.15'
 Invert: 478.4'
 Rim to Invert: 3.75'

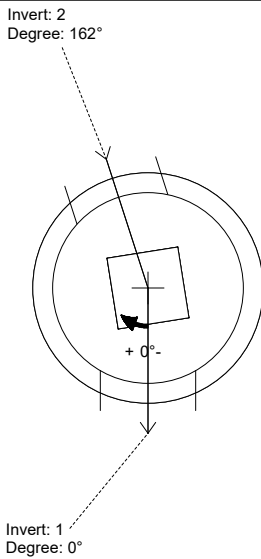
Sump: 0"
 Floor (Top): 478.4'
 Floor Height: 6"

Floor (Bot): 477.9'
 Overall Height: 4.25'
 Slack: 0"

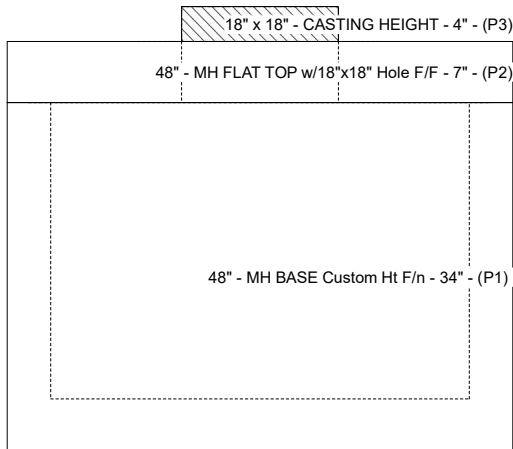
- Structure Notes:**
- PER LOUISVILLE MSD / ASTM C-478 SPECIFICATIONS
 - CONCRETE: 4,000 PSI AT 28 DAYS
 - REINFORCEMENT:
 - FLAT LID: #4 BAR @ 10" C.C. E.W. (GRADE 60)
 - BASE: PER ASTM A615
 - NO STORM INVERT
 - NO STEPS
 - HOE 165-A FRAME & GRATE SUPPLIED BY OTHERS

STRUCTURE SUMMARY:

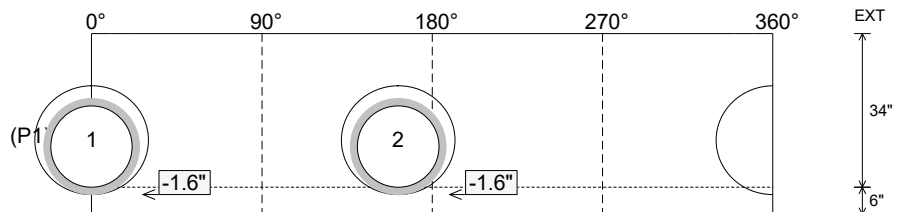
P3) 18" x 18" - CASTING HEIGHT - 4" 0 lb
 P2) 48" - MH FLAT TOP w/18"x18" Hole F/F - 7" 1362 lb
 P1) 48" - MH BASE Custom Ht F/n - 34" 3119 lb
 1) 48" - Conseal CS-102 1.00" 0 lb
 2) Hole - 24" 0 lb
 Structure Total: 4481 lb



Position	Elev	Angle	Pipe	Pipe OD	Hole	Connector	Up (L)	Ref
Rim	482.15'							
Reducer								
Invert 1	478.4'	0°	18" HDPE	21.2"	24"	Hole 24	-1.6"	P1
Invert 2	478.4'	162°	18" HDPE	21.2"	24"	Hole 24	-1.6"	P1
Invert 3								
Invert 4								
Invert 5								
Invert 6								
Invert 7								
Invert 8								



Cast (Int. Dim.) - Interior Dimensions



Submittal Drawing
 2/17/2026 12:38:35 PM

SUBMITTAL
 APPROVED BY: