

Job Name: 25-4299 - Seneca High School
 Job Location: Louisville, KY
 Contractor: Dan Cristiani Excavating Co. Inc.

Plant: 100
 2/17/2026 12:47:19 PM

Tech: J. Horsley
 PC: J. Jarvis



Structure ID: I1

P2 MH048LD07-18X18

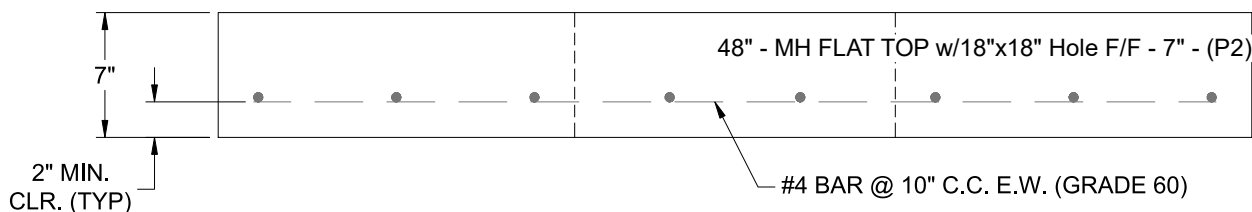
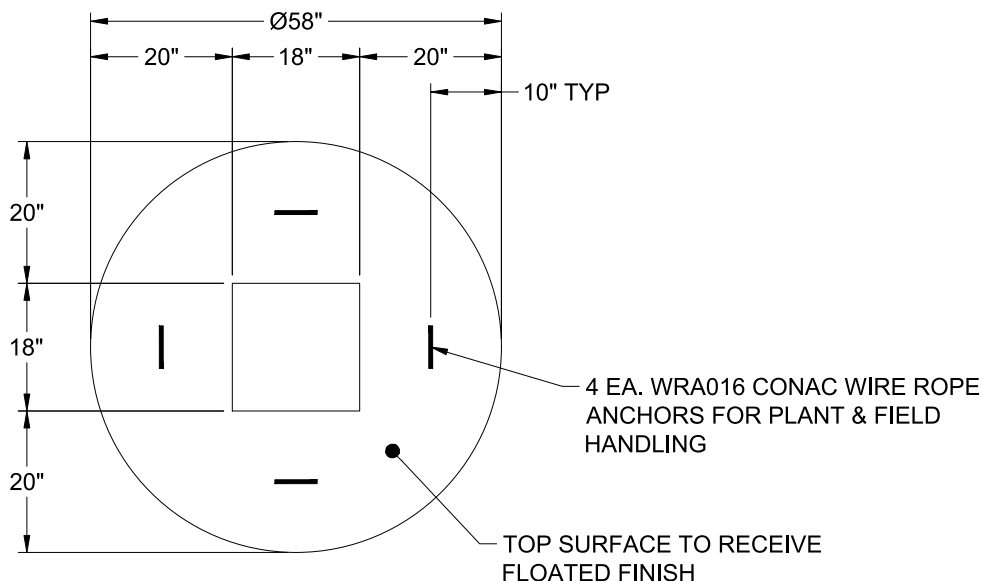
MH FLAT TOP w/18"x18" Hole F/F

- P3) 18" x 18" - CASTING HEIGHT - 4"
- P2) 48" - MH FLAT TOP w/18"x18" Hole F/F - 7"
- P1) 48" - MH BASE Custom Ht F/n - 34"
- 1) 48" - Conseal CS-102 1.00"
- 2) Hole - 24"

0 lb
 1362 lb
 3119 lb
 0 lb
 0 lb

 Structure Total: 4481 lb

- Structure Notes:
1. PER LOUISVILLE MSD / ASTM C-478 SPECIFICATIONS
 2. CONCRETE: 4,000 PSI AT 28 DAYS
 3. REINFORCEMENT: #4 BAR @ 10" C.C. E.W. (GRADE 60) - 2" MIN. REBAR CLEARANCE (TYP)
 4. HOE 165-A FRAME & GRATE SUPPLIED BY OTHERS
 5. LIFTERS: 4 EA. WRA016 CONAC WIRE ROPE ANCHORS FOR PLANT & FIELD HANDLING
 6. TOP SURFACE TO RECEIVE FLOATED FINISH



Coating (Int):
 Coating (Ext):

Seam Up: Flat
 Seam Dn: Flat

Wall Thickness: 5"

Height (Ext): 7"

Weight (Net): 1362 lb
 Volume (Net): 0.35cu.yd