

Job Name: 25-4299 - Seneca High School
Job Location: Louisville, KY
Contractor: Dan Cristiani Excavating Co. Inc.

PC: J. Jarvis
 TECH: J. Horsley
 Plant: 100



Structure ID: **H9**
 Spec: MSD
 Type: Yard Drain
 Size: 24" x 24"

Rim: 481.55'
 Invert: 479.45'
 Rim to Invert: 2.1'

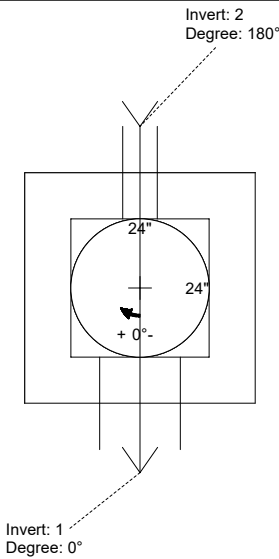
Sump: 0"
 Floor (Top): 479.45'
 Floor Height: 8"

Floor (Bot): 478.783'
 Overall Height: 2.75'
 Slack: 0.2"

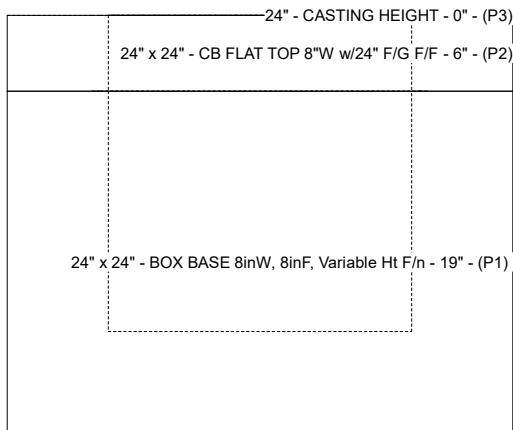
- Structure Notes:**
- PER LOUISVILLE MSD / ASTM C-913 SPECIFICATIONS
 - CONCRETE: 4,000 PSI AT 28 DAYS
 - REINFORCEMENT:
 - FLAT LID: #5 BAR @ 6" C.C. E.W. (GRADE 60)
 - BASE: #5 BAR @ 12" C.C. E.W. (GRADE 60)
 - NO STORM INVERT
 - NO STEPS
 - HOE MCS-260B FRAME & GRATE SUPPLIED BY ICAST - FRAME TO BE CAST INTO FLAT LID FLANGE SIDE UP

STRUCTURE SUMMARY:

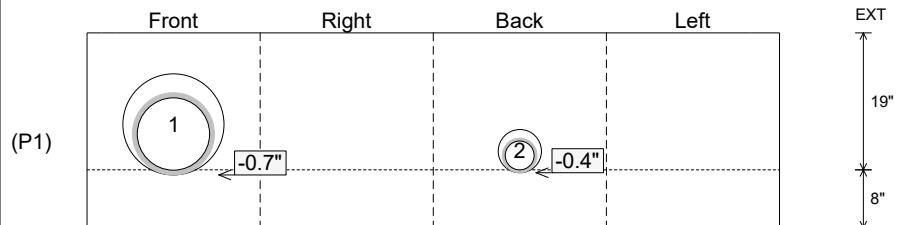
- P3) 24" - CASTING HEIGHT - 0" 0 lb
 - P2) 24" x 24" - CB FLAT TOP 8"W w/24" F/G F/F - 6" 750 lb
 - P1) 24" x 24" - BOX BASE 8inW, 8inF, Variable Ht F/n - 19" 2584 lb
 - 1) CASTING - HOE MCS-260B F/G 0 lb
 - 1) This Structure Includes a Cast-in Item - HOE MCS-260B Frame Flange Side Up 0 lb
 - 1) 24" x 24" - Conseal CS-102 1.00" 0 lb
 - 1) Hole - 14 0 lb
 - 1) Hole - 6 0 lb
- Structure Total: **3334 lb**



Position	Elev	Angle	Pipe	Pipe OD	Hole	Connector	Up (")	Ref
Rim	481.55'							
Reducer								
Invert 1	479.45'	0°	10" HDPE	11.4"	14"	Hole 14	-0.7"	P1
Invert 2	479.45'	180°	4" HDPE (perf pipe)	4.8"	6"	Hole 6	-0.4"	P1
Invert 3								
Invert 4								
Invert 5								
Invert 6								
Invert 7								
Invert 8								



Cast (Int. Dim.) - Interior Dimensions

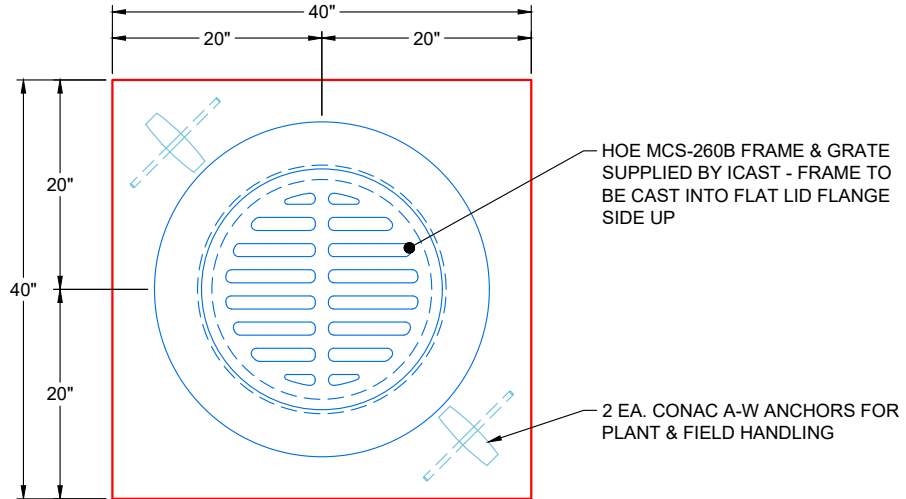


Submittal Drawing
 2/17/2026 10:07:12 AM

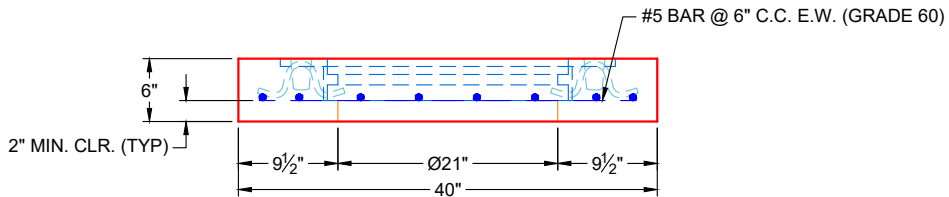
SUBMITTAL
 APPROVED BY:

GENERAL NOTES:

1. PER LOUISVILLE MSD / ASTM C-913 SPECIFICATIONS
2. CONCRETE: 4,000 PSI AT 28 DAYS
3. REINFORCING: #5 BAR @ 6" C.C. E.W. (GRADE 60)
4. WEIGHT: 750 LBS
5. HOE MCS-260B FRAME & GRATE SUPPLIED BY ICAST - FRAME TO BE CAST INTO FLAT LID FLANGE SIDE UP



PLAN VIEW



FRONT VIEW

REVISIONS			SUBMITTAL DRAWING: 40" X 40" FLAT LID SPECIAL, 6" HT.	
REV. 0	DATE:		CUSTOMER: DAN CRISTIANI EXCAVATING CO. INC.	
NO REVISIONS TO DATE			PROJECT: SENECA HIGH SCHOOL	
			STRUCTURE: H9	
			SALES ORDER NO: 25-4299	
		CHECKED BY: B. SMITH	DRAWN BY: K. CARDWELL	
		DATE: 02/17/26	SCALE: NTS	PG. 1 OF 1