

**Job Name: 25-4299 - Seneca High School**  
**Job Location: Louisville, KY**  
**Contractor: Dan Cristiani Excavating Co. Inc.**

PC: J. Jarvis  
 TECH: J. Horsley  
 Plant: 100



Structure ID: H8

Spec: Storm  
 Type: STM.MH (Recessed pipe)  
 Size: 48"

Rim: 482.3'  
 Invert: 479.2'  
 Rim to Invert: 3.1'

Sump: 0"  
 Floor (Top): 479.2'  
 Floor Height: 6"

Floor (Bot): 478.7'  
 Overall Height: 3.583'  
 Slack: 0.2"

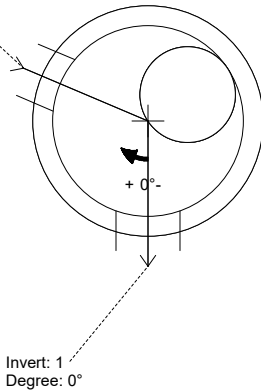
**Structure Notes:**

1. PER LOUISVILLE MSD / ASTM C-478 SPECIFICATIONS
2. CONCRETE: 4,000 PSI AT 28 DAYS
3. REINFORCEMENT:
  - FLAT LID: #4 BAR @ 10" C.C. E.W. (GRADE 60)
  - BASE: PER ASTM A615
4. NO STORM INVERT
5. NO STEPS
6. HOE MC-420 FRAME & COVER "STORM LOU-MSD" SUPPLIED BY OTHERS

**STRUCTURE SUMMARY:**

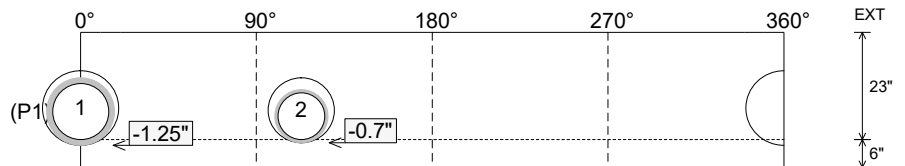
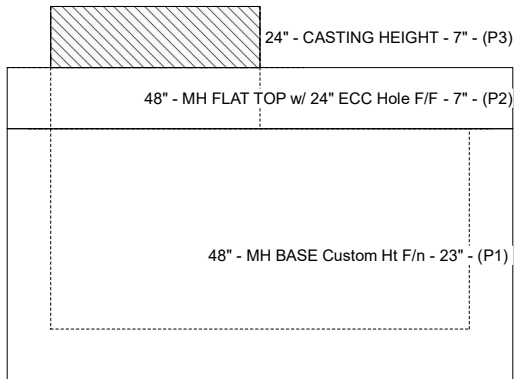
P3) 24" - CASTING HEIGHT - 7"	0 lb
P2) 48" - MH FLAT TOP w/ 24" ECC Hole F/F - 7"	1286 lb
P1) 48" - MH BASE Custom Ht F/n - 23"	2786 lb
1) 48" - Conseal CS-102 1.00"	0 lb
1) Hole - 16	0 lb
1) Hole - 14	0 lb
<b>Structure Total:</b>	<b>4072 lb</b>

Invert: 2  
 Degree: 113°



Position	Elev	Angle	Pipe	Pipe OD	Hole	Connector	Up (L)	Ref
Rim	482.3'							
Reducer								
Invert 1	479.2'	0°	12" HDPE	14.5"	16"	Hole 16	-1.25"	P1
Invert 2	479.2'	113°	10" HDPE	11.4"	14"	Hole 14	-0.7"	P1
Invert 3								
Invert 4								
Invert 5								
Invert 6								
Invert 7								
Invert 8								

**Cast (Int. Dim.) - Interior Dimensions**



Submittal Drawing  
 2/17/2026 10:07:10 AM

SUBMITTAL  
 APPROVED BY: