

Job Name: 25-4299 - Seneca High School
Job Location: Louisville, KY
Contractor: Dan Cristiani Excavating Co. Inc.

PC: J. Jarvis
 TECH: J. Horsley
 Plant: 100



Structure ID: H7
 Spec: MSD
 Type: Yard Drain
 Size: 24" x 24"

Rim: 481.14'
 Invert: 478.7'
 Rim to Invert: 2.44'

Sump: 0"
 Floor (Top): 478.7'
 Floor Height: 8"

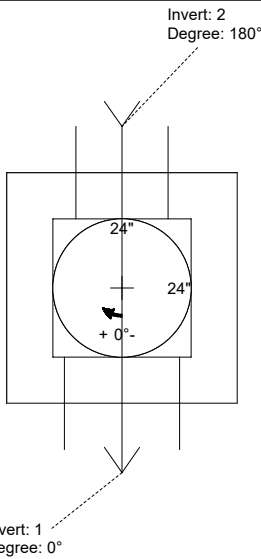
Floor (Bot): 478.033'
 Overall Height: 3.083'
 Slack: 0.28"

Structure Notes:

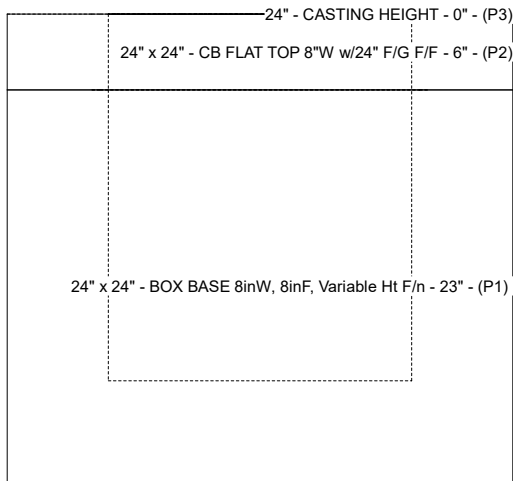
- PER LOUISVILLE MSD / ASTM C-913 SPECIFICATIONS
- CONCRETE: 4,000 PSI AT 28 DAYS
- REINFORCEMENT:
 - FLAT LID: #5 BAR @ 6" C.C. E.W. (GRADE 60)
 - BASE: #5 BAR @ 12" C.C. E.W. (GRADE 60)
- NO STORM INVERT
- NO STEPS
- HOE MCS-260B FRAME & GRATE SUPPLIED BY ICAST - FRAME TO BE CAST INTO FLAT LID FLANGE SIDE UP

STRUCTURE SUMMARY:

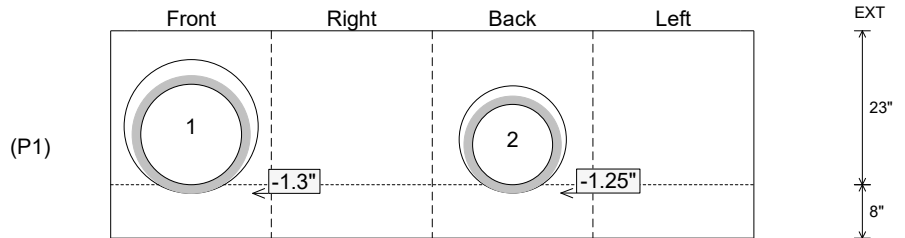
- P3) 24" - CASTING HEIGHT - 0" 0 lb
- P2) 24" x 24" - CB FLAT TOP 8"W w/24" F/G F/F - 6" 750 lb
- P1) 24" x 24" - BOX BASE 8inW, 8inF, Variable Ht F/n - 23" 2705 lb
- 1) CASTING - HOE MCS-260B F/G 0 lb
- 1) This Structure Includes a Cast-in Item - HOE MCS-260B Frame Flange Side Up 0 lb
- 1) 24" x 24" - Conseal CS-102 1.00" 0 lb
- 1) Hole - 20 0 lb
- 1) Hole - 16 0 lb
- Structure Total: 3455 lb**



Position	Elev	Angle	Pipe	Pipe OD	Hole	Connector	Up (L)	Ref
Rim	481.14'							
Reducer								
Invert 1	478.7'	0°	15" HDPE	17.6"	20"	Hole 20	-1.3"	P1
Invert 2	478.7'	180°	12" HDPE (perf pipe)	14.5"	16"	Hole 16	-1.25"	P1
Invert 3								
Invert 4								
Invert 5								
Invert 6								
Invert 7								
Invert 8								



Cast (Int. Dim.) - Interior Dimensions

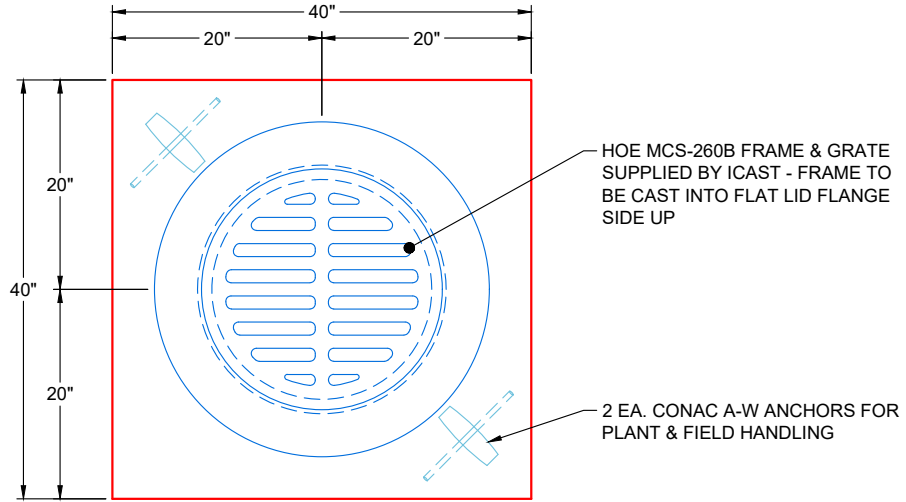


Submittal Drawing
 2/17/2026 10:07:09 AM

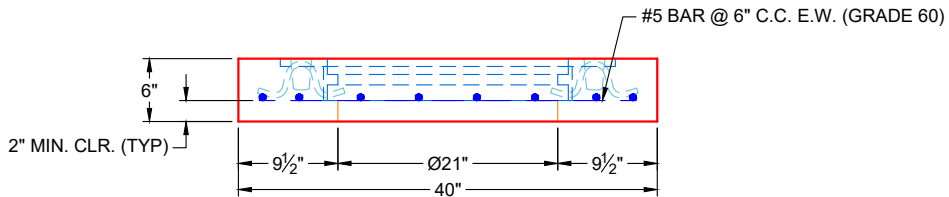
SUBMITTAL
 APPROVED BY:

GENERAL NOTES:

1. PER LOUISVILLE MSD / ASTM C-913 SPECIFICATIONS
2. CONCRETE: 4,000 PSI AT 28 DAYS
3. REINFORCING: #5 BAR @ 6" C.C. E.W. (GRADE 60)
4. WEIGHT: 750 LBS
5. HOE MCS-260B FRAME & GRATE SUPPLIED BY ICAST - FRAME TO BE CAST INTO FLAT LID FLANGE SIDE UP



PLAN VIEW



FRONT VIEW

<p style="text-align: center;">REVISIONS</p> <table border="1"> <tr> <td>REV. <u>0</u> DATE:</td> <td>NO REVISIONS TO DATE</td> </tr> <tr> <td> </td> <td> </td> </tr> <tr> <td> </td> <td> </td> </tr> <tr> <td> </td> <td> </td> </tr> </table>		REV. <u>0</u> DATE:	NO REVISIONS TO DATE								SUBMITTAL DRAWING: 40" X 40" FLAT LID SPECIAL, 6" HT.		
		REV. <u>0</u> DATE:	NO REVISIONS TO DATE										
CUSTOMER: DAN CRISTIANI EXCAVATING CO. INC.													
PROJECT: SENECA HIGH SCHOOL			STRUCTURE: H7										
SALES ORDER NO: 25-4299			CHECKED BY: B. SMITH DRAWN BY: K. CARDWELL										
DATE: 02/17/26			SCALE: NTS		PG. 1 OF 1								