

**Job Name: 25-4299 - Seneca High School**  
**Job Location: Louisville, KY**  
**Contractor: Dan Cristiani Excavating Co. Inc.**

PC: J. Jarvis  
 TECH: J. Horsley  
 Plant: 100



Structure ID: H6

Spec: Storm  
 Type: STM.MH (Recessed pipe)  
 Size: 48"

Rim: 481.9'  
 Invert: 478.1'  
 Rim to Invert: 3.8'

Sump: 0"  
 Floor (Top): 478.1'  
 Floor Height: 6"

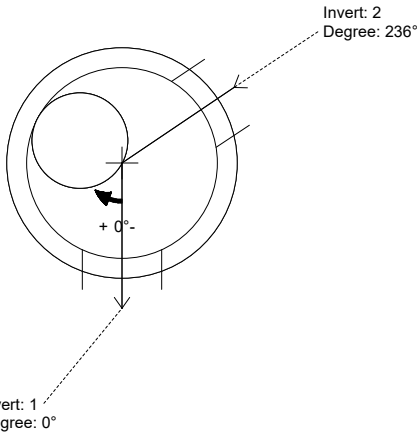
Floor (Bot): 477.6'  
 Overall Height: 4.083'  
 Slack: 2.6"

**Structure Notes:**

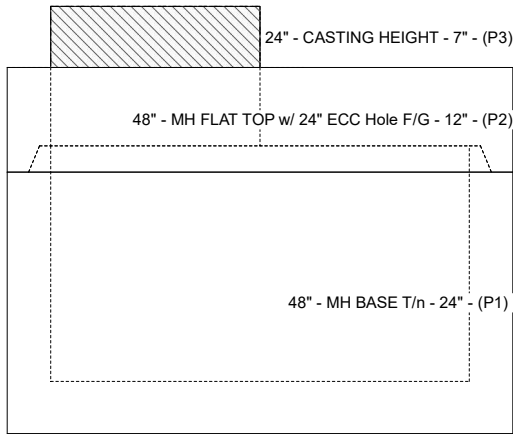
1. PER LOUISVILLE MSD / ASTM C-478 SPECIFICATIONS
2. CONCRETE: 4,000 PSI AT 28 DAYS
3. REINFORCEMENT:
  - FLAT LID: #4 BAR @ 10" C.C. E.W. (GRADE 60)
  - BASE: PER ASTM A615
4. NO STORM INVERT
5. NO STEPS
6. HOE MC-420 FRAME & COVER "STORM LOU-MSD" SUPPLIED BY OTHERS

**STRUCTURE SUMMARY:**

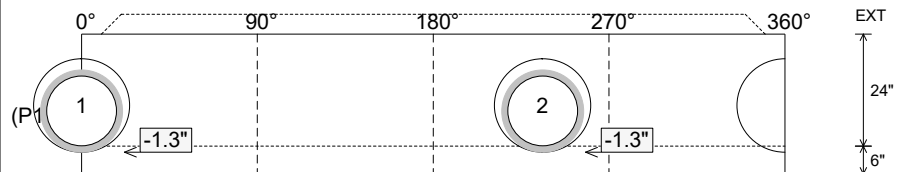
- P3) 24" - CASTING HEIGHT - 7"
  - P2) 48" - MH FLAT TOP w/ 24" ECC Hole F/G - 12"
  - P1) 48" - MH BASE T/n - 24"
- 1) 48" - Conseal CS-102 1.00"  
 2) Hole - 20
- 0 lb  
 1561 lb  
 2736 lb  
 0 lb  
 0 lb  
 -----  
 Structure Total: 4297 lb



Position	Elev	Angle	Pipe	Pipe OD	Hole	Connector	Up (L)	Ref
Rim	481.9'							
Reducer								
Invert 1	478.1'	0°	15" HDPE	17.6"	20"	Hole 20	-1.3"	P1
Invert 2	478.1'	236°	15" HDPE	17.6"	20"	Hole 20	-1.3"	P1
Invert 3								
Invert 4								
Invert 5								
Invert 6								
Invert 7								
Invert 8								



**Cast (Int. Dim.) - Interior Dimensions**



Submittal Drawing  
 2/17/2026 10:07:07 AM

SUBMITTAL  
 APPROVED BY: