

Job Name: 25-4299 - Seneca High School
Job Location: Louisville, KY
Contractor: Dan Cristiani Excavating Co. Inc.

PC: J. Jarvis
 TECH: J. Horsley
 Plant: 100



Structure ID: **H5**
 Spec: MSD
 Type: Yard Drain
 Size: 18" x 18"

Rim: 481.95'
 Invert: 480.25'
 Rim to Invert: 1.7'

Sump: 0"
 Floor (Top): 480.25'
 Floor Height: 6"

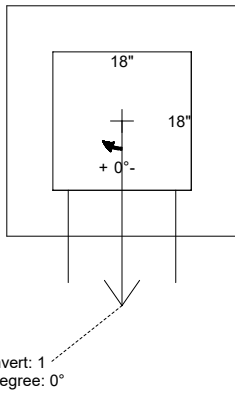
Floor (Bot): 479.75'
 Overall Height: 2.167'
 Slack: 0.4"

- Structure Notes:**
1. PER LOUISVILLE MSD / ASTM C-913 SPECIFICATIONS
 2. CONCRETE: 4,000 PSI AT 28 DAYS
 3. REINFORCEMENT: #5 BAR @ 12" C.C. E.W. (GRADE 60)
 4. NO STORM INVERT
 5. NO STEPS
 6. HOE 165-A FRAME & GRATE SUPPLIED BY OTHERS

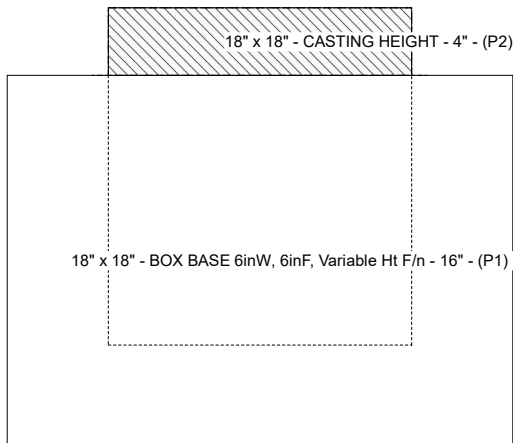
STRUCTURE SUMMARY:

P2) 18" x 18" - CASTING HEIGHT - 4" 0 lb
 P1) 18" x 18" - BOX BASE 6inW, 6inF, Variable Ht F/n - 16" 1149 lb
 1) 18" x 18" - Conseal CS-102 1.00" 0 lb
 1) Hole - 14 0 lb

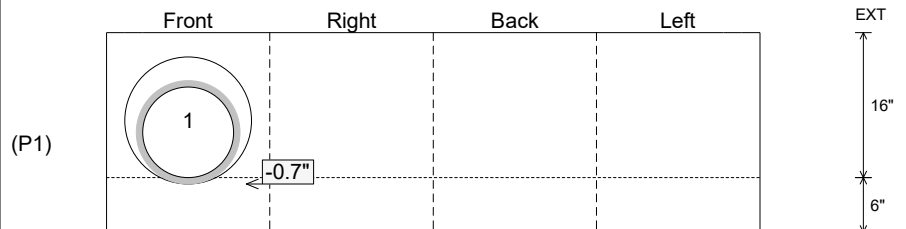
Structure Total: 1149 lb



Position	Elev	Angle	Pipe	Pipe OD	Hole	Connector	Up ()	Ref
Rim	481.95'							
Reducer								
Invert 1	480.25'	0°	10" HDPE	11.4"	14"	Hole 14	-0.7"	P1
Invert 2								
Invert 3								
Invert 4								
Invert 5								
Invert 6								
Invert 7								
Invert 8								



Cast (Int. Dim.) - Interior Dimensions



Submittal Drawing
 2/17/2026 10:07:05 AM

SUBMITTAL
 APPROVED BY: