

Job Name: 25-4299 - Seneca High School	Plant: 100	Tech: J. Horsley	
Job Location: Louisville, KY	2/17/2026 10:38:38 AM	PC: J. Jarvis	
Contractor: Dan Cristiani Excavating Co. Inc.			

Structure ID: H4

P1 BX1818-06BA18

BOX BASE 6inW, 6inF F/n

- P2) 18" x 18" - CASTING HEIGHT - 4"
- P1) 18" x 18" - BOX BASE 6inW, 6inF F/n - 18"
- 1) 18" x 18" - Conseal CS-102 1.00"
- 2) Hole - 14

0 lb
1163 lb
0 lb
0 lb

Structure Total: 1163 lb

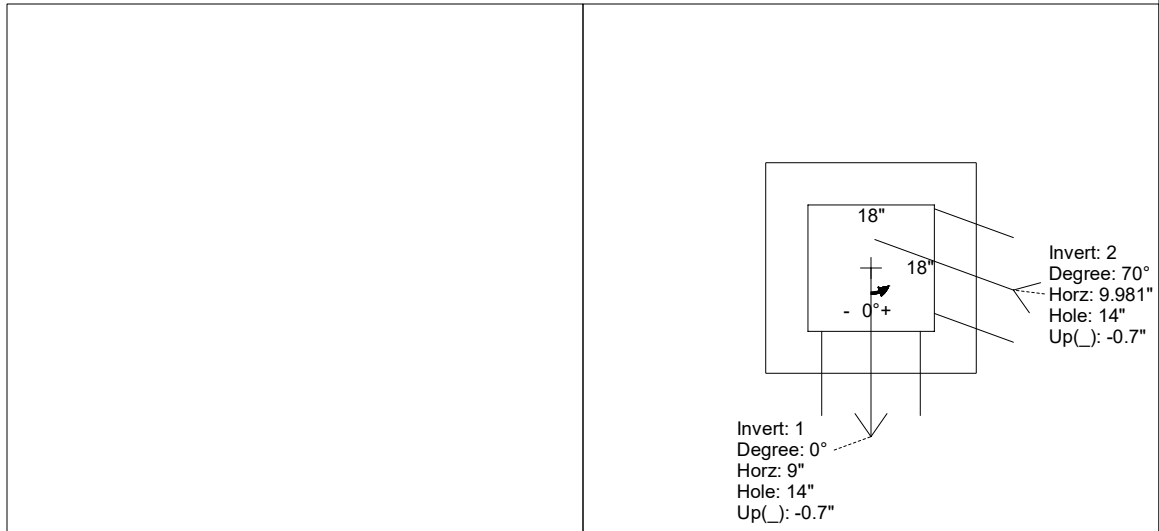
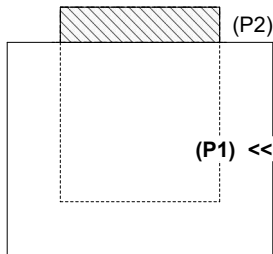
- Structure Notes:**
1. PER LOUISVILLE MSD / ASTM C-913 SPECIFICATIONS
 2. CONCRETE: 4,000 PSI AT 28 DAYS
 3. REINFORCEMENT: #5 BAR @ 12" C.C. E.W. (GRADE 60) - 2" MIN. REBAR CLEARANCE (TYP)
 4. NO STORM INVERT
 5. NO STEPS
 6. HOE 165-A FRAME & GRATE SUPPLIED BY OTHERS

Rim: 481.95' Rim to Invert: 2.05' Slack: 2.6" Sump: 0" Step Position:

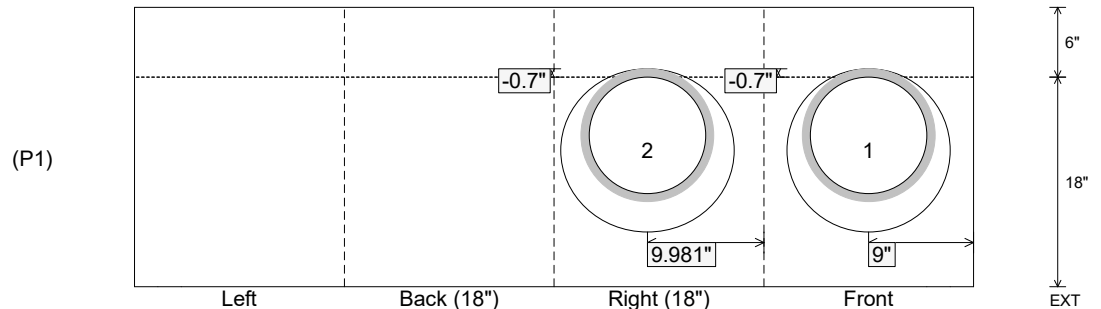
Position	Elev	Angle	Ext. (cw)	Pipe	Pipe OD	Connector	Hole	Horz Size	Up (⌊)	Offset
Invert 1	479.9'	0°	15"	10" HDPE	11.4"	Hole 14	14"	14"	-0.7"	0"
Invert 2	479.9'	70°	13.797"	10" HDPE	11.4"	Hole 14	14"	14.898"	-0.7"	4"
Invert 3										
Invert 4										
Invert 5										
Invert 6										
Invert 7										
Invert 8										

RIGHT-SIDE UP VIEW (int. dimensions)

UPSIDE-DOWN VIEW (int. dimensions)



INSIDE WALL DIMENSIONS



Coating (Int): Coating (Ext):	Seam Up: Flat Seam Dn: n/a	Wall Thickness: 6" Floor Height: 6"	Height (Int): 18" Height (Ext): 24"	Weight (Net): 1163 lb Volume (Net): 0.3cu.yd
----------------------------------	-------------------------------	--	--	---