

Job Name: 25-4299 - Seneca High School
Job Location: Louisville, KY
Contractor: Dan Cristiani Excavating Co. Inc.

PC: J. Jarvis
 TECH: J. Horsley
 Plant: 100



Structure ID: **H3**
 Spec: MSD
 Type: Yard Drain
 Size: 48"

Rim: 482.15'
 Invert: 479.55'
 Rim to Invert: 2.6'

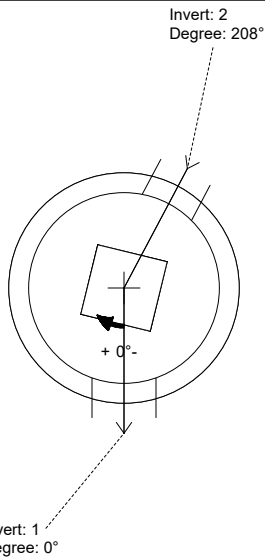
Sump: 0"
 Floor (Top): 479.55'
 Floor Height: 6"

Floor (Bot): 479.05'
 Overall Height: 3.083'
 Slack: 0.2"

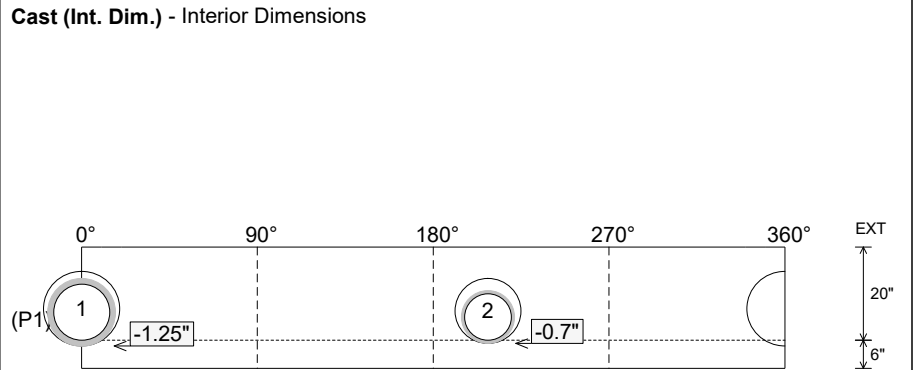
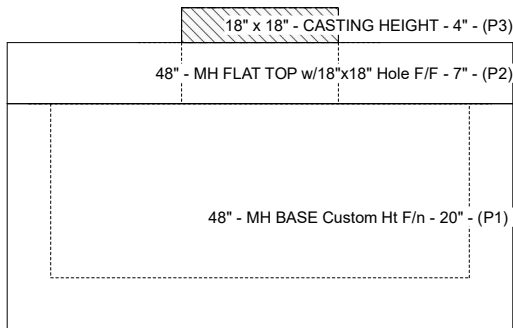
- Structure Notes:**
- PER LOUISVILLE MSD / ASTM C-478 SPECIFICATIONS
 - CONCRETE: 4,000 PSI AT 28 DAYS
 - REINFORCEMENT:
 - FLAT LID: #4 BAR @ 10" C.C. E.W. (GRADE 60)
 - BASE: PER ASTM A615
 - NO STORM INVERT
 - NO STEPS
 - HOE 165-A FRAME & GRATE SUPPLIED BY OTHERS

STRUCTURE SUMMARY:

P3) 18" x 18" - CASTING HEIGHT - 4"	0 lb
P2) 48" - MH FLAT TOP w/18"x18" Hole F/F - 7"	1362 lb
P1) 48" - MH BASE Custom Ht F/n - 20"	2576 lb
1) 48" - Conseal CS-102 1.00"	0 lb
1) 18" x 18" - Conseal CS-102 1.00"	0 lb
1) Hole - 16	0 lb
1) Hole - 14	0 lb
Structure Total:	3938 lb



Position	Elev	Angle	Pipe	Pipe OD	Hole	Connector	Up (")	Ref
Rim	482.15'							
Reducer								
Invert 1	479.55'	0°	12" HDPE	14.5"	16"	Hole 16	-1.25"	P1
Invert 2	479.55'	208°	10" HDPE	11.4"	14"	Hole 14	-0.7"	P1
Invert 3								
Invert 4								
Invert 5								
Invert 6								
Invert 7								
Invert 8								



Submittal Drawing
 2/17/2026 10:07:02 AM

SUBMITTAL
 APPROVED BY: