

Job Name: 25-4299 - Seneca High School  
 Job Location: Louisville, KY  
 Contractor: Dan Cristiani Excavating Co. Inc.

Plant: 100  
 2/17/2026 10:39:11 AM

Tech: J. Horsley  
 PC: J. Jarvis



**Structure ID: H3**

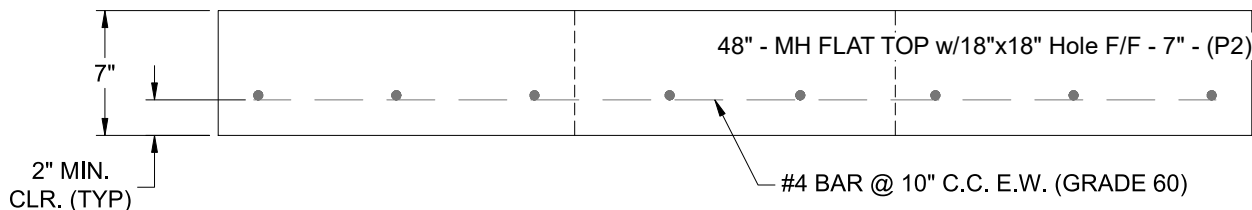
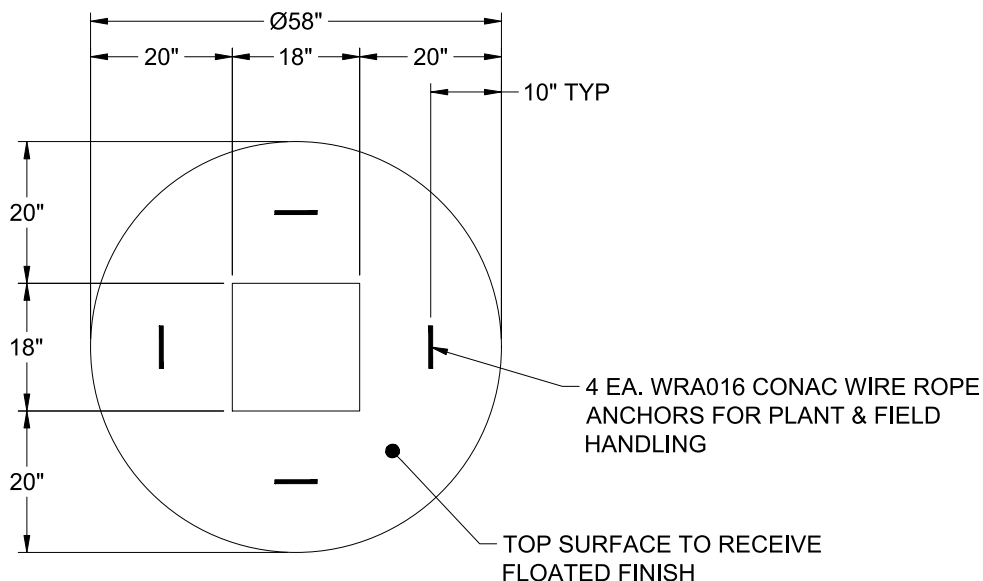
**P2 MH048LD07-18X18**

**MH FLAT TOP w/18"x18" Hole F/F**

- P3) 18" x 18" - CASTING HEIGHT - 4"
- P2) 48" - MH FLAT TOP w/18"x18" Hole F/F - 7"
- P1) 48" - MH BASE Custom Ht F/n - 20"
- 1) 48" - Conseal CS-102 1.00"
- 1) 18" x 18" - Conseal CS-102 1.00"
- 1) Hole - 16
- 1) Hole - 14

0 lb  
 1362 lb  
 2576 lb  
 0 lb  
 0 lb  
 0 lb  
 0 lb  
 -----  
 0 lb  
 Structure Total: 3938 lb

- Structure Notes:
1. PER LOUISVILLE MSD / ASTM C-478 SPECIFICATIONS
  2. CONCRETE: 4,000 PSI AT 28 DAYS
  3. REINFORCEMENT: #4 BAR @ 10" C.C. E.W. (GRADE 60) - 2" MIN. REBAR CLEARANCE (TYP)
  4. HOE 165-A FRAME & GRATE SUPPLIED BY OTHERS
  5. LIFTERS: 4 EA. WRA016 CONAC WIRE ROPE ANCHORS FOR PLANT & FIELD HANDLING
  6. TOP SURFACE TO RECEIVE FLOATED FINISH



Coating (Int):  
 Coating (Ext):

Seam Up: Flat  
 Seam Dn: Flat

Wall Thickness: 5"

Height (Ext): 7"

Weight (Net): 1362 lb  
 Volume (Net): 0.35cu.yd