

Job Name: 25-4299 - Seneca High School
Job Location: Louisville, KY
Contractor: Dan Cristiani Excavating Co. Inc.

PC: J. Jarvis
 TECH: J. Horsley
 Plant: 100



Structure ID: H1
 Spec: MSD
 Type: Yard Drain
 Size: 48"

Rim: 482.25'
 Invert: 477.8'
 Rim to Invert: 4.45'

Sump: 0"
 Floor (Top): 477.8'
 Floor Height: 6"

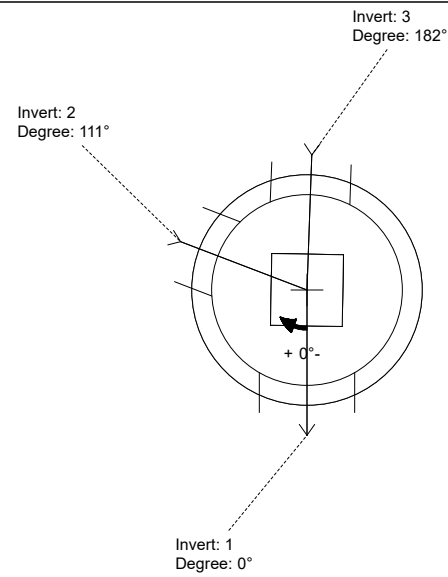
Floor (Bot): 477.3'
 Overall Height: 4.833'
 Slack: 1.4"

- Structure Notes:**
- PER LOUISVILLE MSD / ASTM C-478 SPECIFICATIONS
 - CONCRETE: 4,000 PSI AT 28 DAYS
 - REINFORCEMENT:
 - FLAT LID: #4 BAR @ 10" C.C. E.W. (GRADE 60)
 - BASE: PER ASTM A615
 - NO STORM INVERT
 - NO STEPS
 - HOE 165-A FRAME & GRATE SUPPLIED BY OTHERS

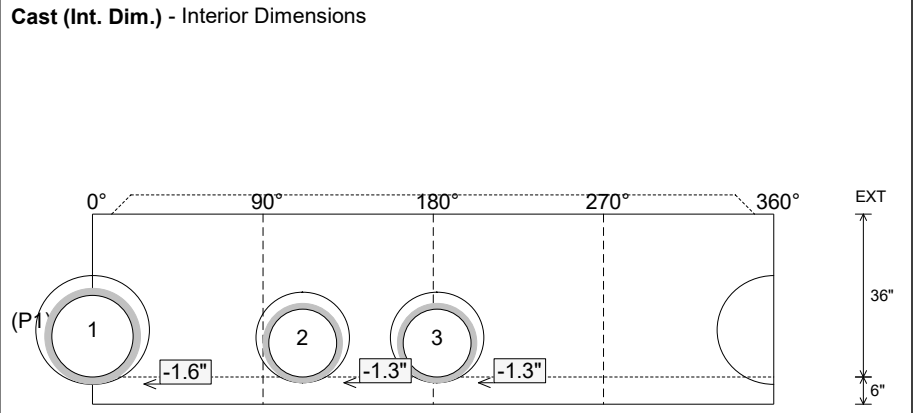
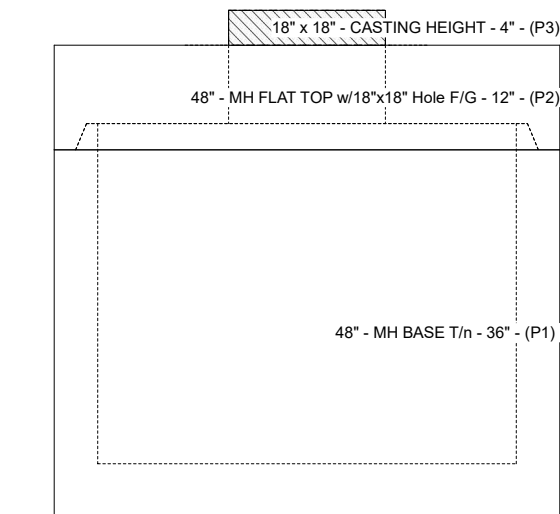
STRUCTURE SUMMARY:

P3) 18" x 18" - CASTING HEIGHT - 4" 0 lb
 P2) 48" - MH FLAT TOP w/18"x18" Hole F/G - 12" 2334 lb
 P1) 48" - MH BASE T/n - 36" 3377 lb
 1) 48" - Conseal CS-102 1.00" 0 lb
 1) 18" x 18" - Conseal CS-102 1.00" 0 lb
 1) Hole - 24 0 lb
 2) Hole - 20 0 lb

 Structure Total: 5712 lb



Position	Elev	Angle	Pipe	Pipe OD	Hole	Connector	Up (")	Ref
Rim	482.25'							
Reducer								
Invert 1	477.8'	0°	18" HDPE	21.2"	24"	Hole 24	-1.6"	P1
Invert 2	477.8'	111°	15" HDPE	17.6"	20"	Hole 20	-1.3"	P1
Invert 3	477.8'	182°	15" HDPE	17.6"	20"	Hole 20	-1.3"	P1
Invert 4								
Invert 5								
Invert 6								
Invert 7								
Invert 8								



Submittal Drawing
 2/17/2026 10:06:58 AM

SUBMITTAL
 APPROVED BY: