

Job Name: 25-4299 - Seneca High School
Job Location: Louisville, KY
Contractor: Dan Cristiani Excavating Co. Inc.

PC: J. Jarvis
 TECH: J. Horsley
 Plant: 100



Structure ID: **G8**
 Spec: MSD
 Type: CB SINGLE
 Size: 48"

Rim: 485.15'
 Invert: 478.18'
 Rim to Invert: 6.97'

Sump: 1.9"
 Floor (Top): 478.022'
 Floor Height: 6"

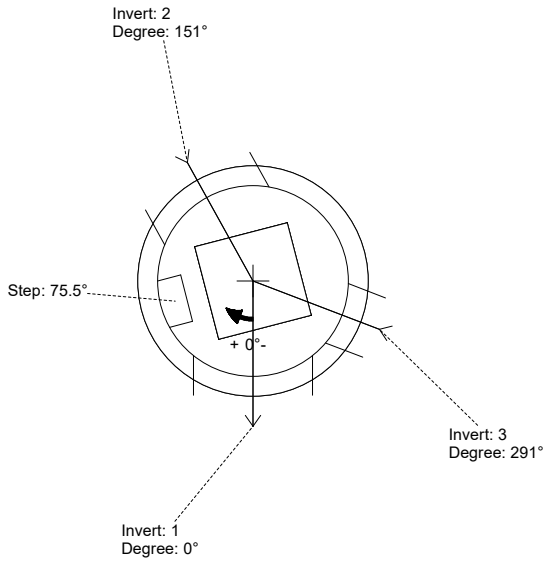
Floor (Bot): 477.522'
 Overall Height: 7.583'
 Slack: 0.54"

- Structure Notes:**
- PER LOUISVILLE MSD / ASTM C-478 SPECIFICATIONS
 - CONCRETE: 4,000 PSI AT 28 DAYS
 - REINFORCEMENT:
 - FLAT LID: #6 BAR @ 4" C.C. E.W. (GRADE 60)
 - BASE: PER ASTM A615
 - NO STORM INVERT
 - STEPS AT 75.5 DEGREES
 - HOE 280T FRAME & GRATE SUPPLIED BY OTHERS

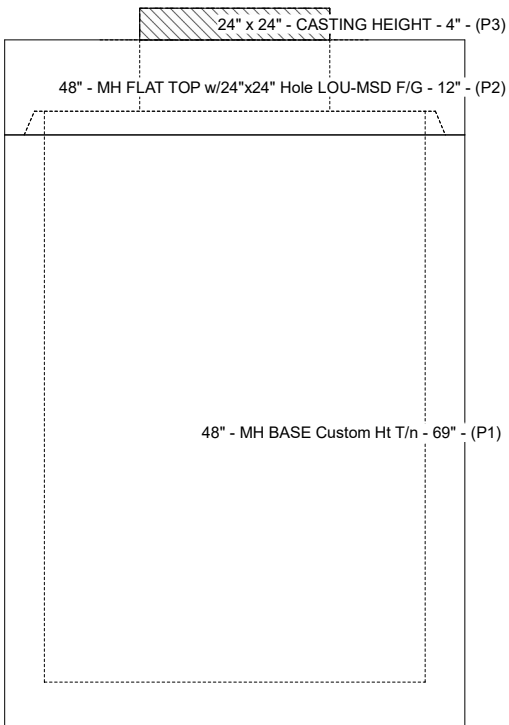
STRUCTURE SUMMARY:

P3) 24" x 24" - CASTING HEIGHT - 4" 0 lb
 P2) 48" - MH FLAT TOP w/24"x24" Hole LOU-MSD F/G - 12" 1500 lb
 P1) 48" - MH BASE Custom Ht T/n - 69" 5433 lb
 1) 48" - Conseal CS-102 1.00" 0 lb
 1) 24" x 24" - Conseal CS-102 1.00" 0 lb
 2) Hole - 30 0 lb
 1) Hole - 16 0 lb
 6) MH Step ML-10-TDS-NCR - 10" 0 lb

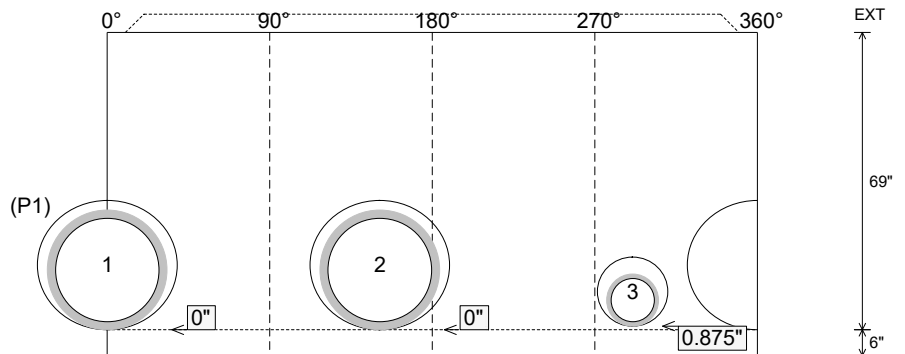
Structure Total: 6933 lb



Position	Elev	Angle	Pipe	Pipe OD	Hole	Connector	Up (Δ)	Ref
Rim	485.15'							
Reducer								
Invert 1	478.18'	0°	24" HDPE	27.8"	30"	Hole 30	0"	P1
Invert 2	478.18'	151°	24" HDPE	27.8"	30"	Hole 30	0"	P1
Invert 3	478.18'	291°	10" VCP	12.05"	16"	Hole 16	0.875"	P1
Invert 4								
Invert 5								
Invert 6								
Invert 7								
Invert 8								



Cast (Int. Dim.) - Interior Dimensions



Submittal Drawing
 2/16/2026 1:45:54 PM

SUBMITTAL
 APPROVED BY: