

Job Name: 25-4299 - Seneca High School
Job Location: Louisville, KY
Contractor: Dan Cristiani Excavating Co. Inc.

PC: J. Jarvis
 TECH: J. Horsley
 Plant: 100



Structure ID: **G5**
 Spec: MSD
 Type: CB SINGLE
 Size: 60"

Rim: 485.45'
 Invert: 477.45'
 Rim to Invert: 8'

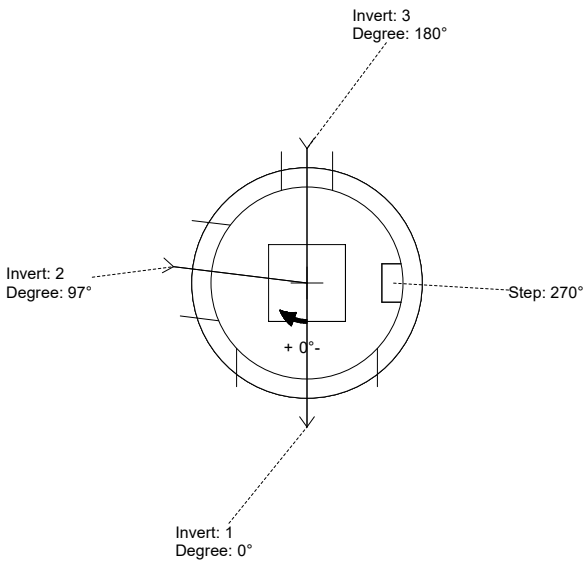
Sump: 2.85"
 Floor (Top): 477.212'
 Floor Height: 8"

Floor (Bot): 476.545'
 Overall Height: 8.833'
 Slack: 0.85"

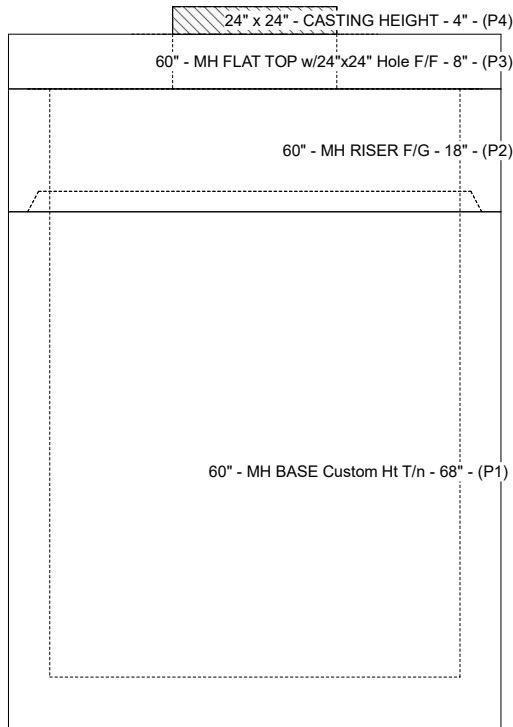
- Structure Notes:**
- PER LOUISVILLE MSD / ASTM C-478 SPECIFICATIONS
 - CONCRETE: 4,000 PSI AT 28 DAYS
 - REINFORCEMENT:
 - FLAT LID: #6 BAR @ 4" C.C. E.W. (GRADE 60)
 - BASE & RISER: PER ASTM A615
 - NO STORM INVERT
 - STEPS AT 270 DEGREES
 - HOE 280T FRAME & GRATE SUPPLIED BY OTHERS

STRUCTURE SUMMARY:

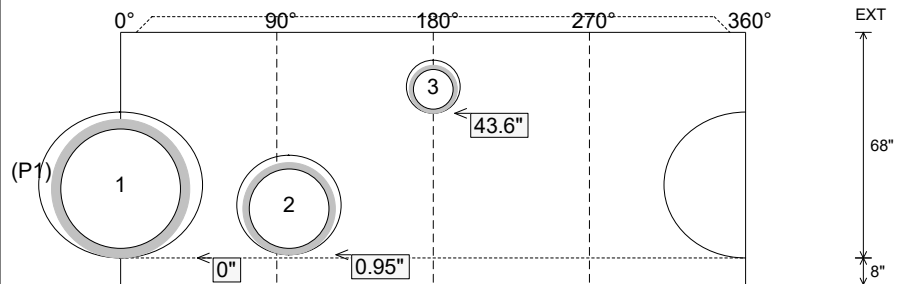
P4) 24" x 24" - CASTING HEIGHT - 4"	0 lb
P3) 60" - MH FLAT TOP w/24"x24" Hole F/F - 8"	2347 lb
P2) 60" - MH RISER F/G - 18"	1879 lb
P1) 60" - MH BASE Custom Ht T/n - 68"	8518 lb
2) 60" - Conseal CS-102 1.00"	0 lb
1) 24" x 24" - Conseal CS-102 1.00"	0 lb
1) Hole - 44	0 lb
1) Hole - 30	0 lb
1) Hole - 16	0 lb
7) MH Step ML-10-TDS-NCR - 10"	0 lb
Structure Total:	12744 lb



Position	Elev	Angle	Pipe	Pipe OD	Hole	Connector	Up (")	Ref
Rim	485.45'							
Reducer								
Invert 1	477.45'	0°	36" HDPE	41.7"	44"	Hole 44	0"	P1
Invert 2	477.45'	97°	24" HDPE	27.8"	30"	Hole 30	0.95"	P1
Invert 3	480.95'	180°	12" HDPE	14.5"	16"	Hole 16	43.6"	P1
Invert 4								
Invert 5								
Invert 6								
Invert 7								
Invert 8								



Cast (Int. Dim.) - Interior Dimensions



Submittal Drawing
 2/16/2026 1:45:51 PM

SUBMITTAL
 APPROVED BY: