

Job Name: 25-4299 - Seneca High School
Job Location: Louisville, KY
Contractor: Dan Cristiani Excavating Co. Inc.

PC: J. Jarvis
 TECH: J. Horsley
 Plant: 100



Structure ID: **G4**
 Spec: MSD
 Type: Yard Drain
 Size: 60"

Rim: 482'
 Invert: 477.2'
 Rim to Invert: 4.8'

Sump: 2.85"
 Floor (Top): 476.962'
 Floor Height: 8"

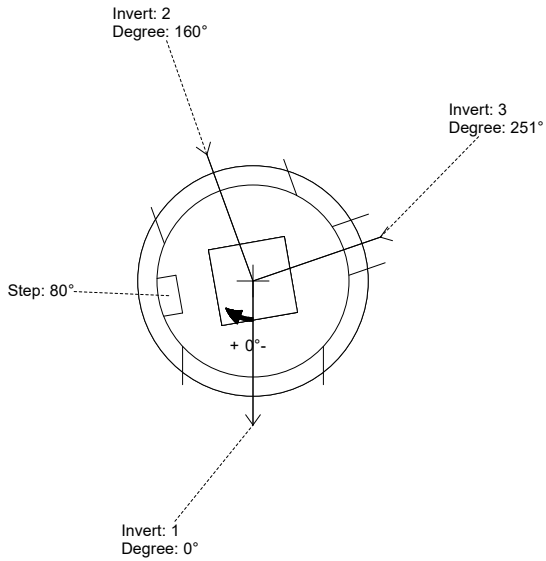
Floor (Bot): 476.295'
 Overall Height: 5.667'
 Slack: 0.45"

- Structure Notes:**
- PER LOUISVILLE MSD / ASTM C-478 SPECIFICATIONS
 - CONCRETE: 4,000 PSI AT 28 DAYS
 - REINFORCEMENT:
 - FLAT LID: #6 BAR @ 4" C.C. E.W. (GRADE 60)
 - BASE: PER ASTM A615
 - NO STORM INVERT
 - STEPS AT 80 DEGREES
 - HOE 280T FRAME & GRATE SUPPLIED BY OTHERS

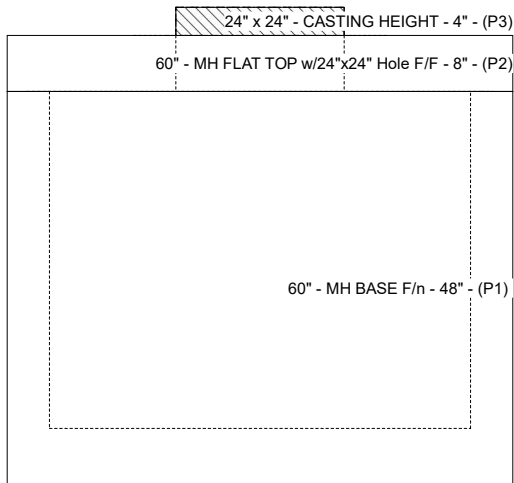
STRUCTURE SUMMARY:

P3) 24" x 24" - CASTING HEIGHT - 4" 0 lb
 P2) 60" - MH FLAT TOP w/24"x24" Hole F/F - 8" 2347 lb
 P1) 60" - MH BASE F/n - 48" 5959 lb
 1) 60" - Conseal CS-102 1.00" 0 lb
 1) 24" x 24" - Conseal CS-102 1.00" 0 lb
 2) Hole - 44 0 lb
 1) Hole - 16 0 lb
 4) MH Step ML-10-TDS-NCR - 10" 0 lb

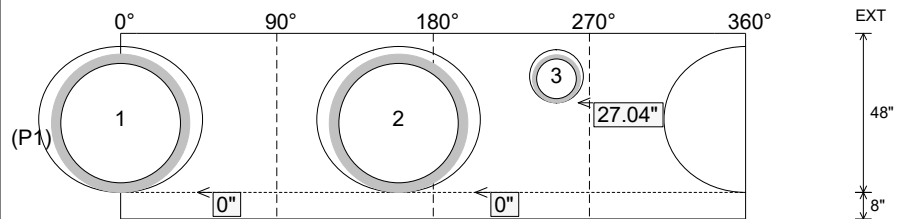
Structure Total: 8305 lb



Position	Elev	Angle	Pipe	Pipe OD	Hole	Connector	Up (')	Ref
Rim	482'							
Reducer								
Invert 1	477.2'	0°	36" HDPE	41.7"	44"	Hole 44	0"	P1
Invert 2	477.2'	160°	36" HDPE	41.7"	44"	Hole 44	0"	P1
Invert 3	479.32'	251°	12" HDPE	14.5"	16"	Hole 16	27.04"	P1
Invert 4								
Invert 5								
Invert 6								
Invert 7								
Invert 8								



Cast (Int. Dim.) - Interior Dimensions



Submittal Drawing
 2/16/2026 1:45:50 PM

SUBMITTAL
 APPROVED BY: