

**Job Name: 25-4299 - Seneca High School**  
**Job Location: Louisville, KY**  
**Contractor: Dan Cristiani Excavating Co. Inc.**

PC: J. Jarvis  
 TECH: J. Horsley  
 Plant: 100



Structure ID: **G3**  
 Spec: Storm  
 Type: BX 8inW, 8inF  
 Size: 60" x 60"

Rim: 482.25'  
 Invert: 477'  
 Rim to Invert: 5.25'

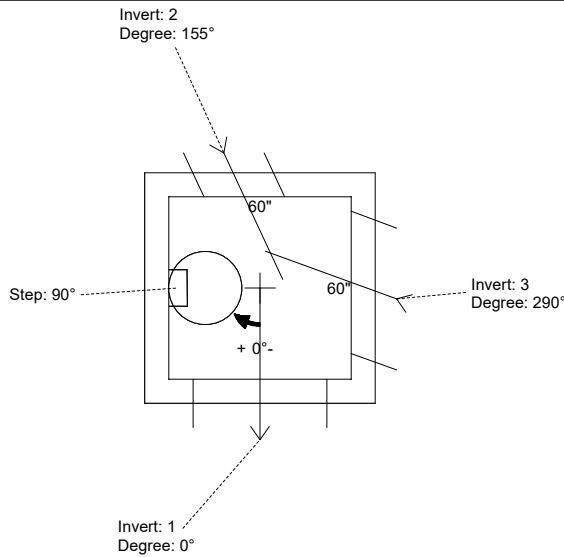
Sump: 0"  
 Floor (Top): 477'  
 Floor Height: 8"

Floor (Bot): 476.333'  
 Overall Height: 5.917'  
 Slack: 0"

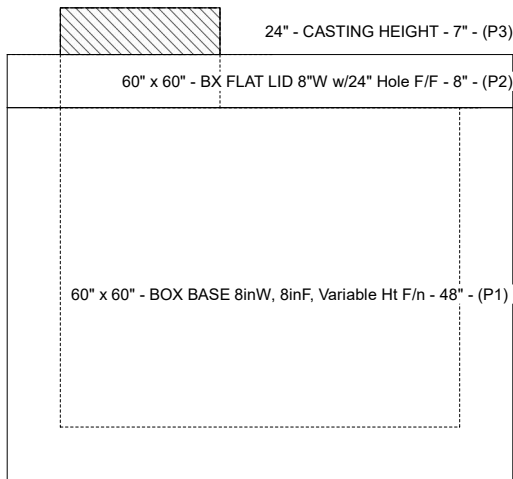
- Structure Notes:**
- PER LOUISVILLE MSD / ASTM C-913 SPECIFICATIONS
  - CONCRETE: 4,000 PSI AT 28 DAYS
  - REINFORCEMENT:
    - FLAT LID: #5 BAR @ 6" C.C. E.W. (GRADE 60)
    - BASE: #5 BAR @ 12" C.C. E.W. (GRADE 60)
  - NO STORM INVERT
  - STEPS AT 90 DEGREES
  - HOE MC-420 FRAME & COVER "STORM LOU-MSD" SUPPLIED BY OTHERS

**STRUCTURE SUMMARY:**

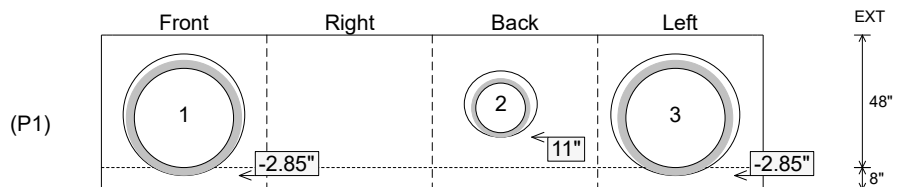
- P3) 24" - CASTING HEIGHT - 7"  
 P2) 60" x 60" - BX FLAT LID 8"W w/24" Hole F/F - 8"  
 P1) 60" x 60" - BOX BASE 8inW, 8inF, Variable Ht F/n - 48"
- 1) SECONDARY POUR  
 1) 60" x 60" - Conseal CS-102 1.00"  
 2) Hole - 44  
 1) Hole - 24  
 5) MH Step ML-10-TDS-NCR - 10"
- 0 lb  
 3574 lb  
 10200 lb  
 0 lb  
 0 lb  
 0 lb  
 0 lb  
 0 lb  
 0 lb  
 \_\_\_\_\_  
 Structure Total: 13774 lb



Position	Elev	Angle	Pipe	Pipe OD	Hole	Connector	Up ( )	Ref
Rim	482.25'							
Reducer								
Invert 1	477'	0°	36" HDPE	41.7"	44"	Hole 44	-2.85"	P1
Invert 2	478.05'	155°	18" HDPE	21.2"	24"	Hole 24	11"	P1
Invert 3	477'	290°	36" HDPE	41.7"	44"	Hole 44	-2.85"	P1
Invert 4								
Invert 5								
Invert 6								
Invert 7								
Invert 8								



**Cast (Int. Dim.) - Interior Dimensions**



Submittal Drawing  
 2/16/2026 1:45:49 PM

SUBMITTAL  
 APPROVED BY: